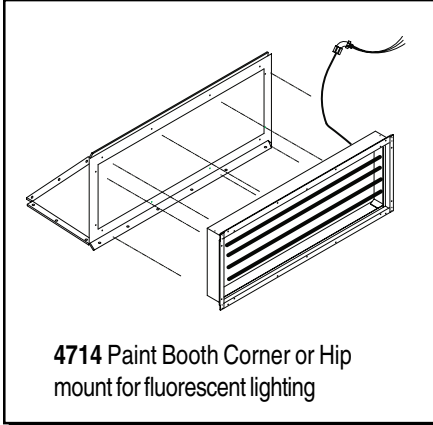


CORNER/HIP FLUORESCENT LIGHTING MOUNT



Horizontal or Vertical Mounting Corner/Hip Light Kit

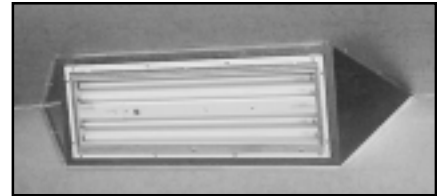
The following is an acceptable method of installing panel mounted fixtures into the corner of a paint spray booth.

FEATURES

P/N: 4714

To reduce shadowing, corner or hip lighting is ideal. Corner light mounting option is available for the 390440-3546 Slim Light. (Page 15-18).

Shipping weight: 14#. (Fixture sold separately)



NOTE: All wiring must be performed by a certified electrician and in accordance with all national and local electrical codes and regulations.

SPECIFICATIONS

- GENERAL:** Corner or Hip mount for 440 Slim Light fixture
- HOUSING:** Rigid one piece formed housing constructed of 20 gauge Prepainted steel.
- MOUNTING:** Can be installed vertically in a corner, or horizontally in the hip of the booth. Includes all components required to install kit and route wiring conductors out of booth.
- REQUIREMENTS:** Fixture must be rated Class I, Div. 2 and with inside access listing for use in a paint spray booth.

Panel construction must meet the requirements of NFPA 33 Chapter 3, "Construction and Design of Spray Areas, Spray Rooms, and Spray Booths."

Fixture installation wiring to meet the requirements of NFPA 33 Chapter 4, "Electrical and Other Sources of Ignition."

Kit (Delivered unassembled) Includes:

- Self tapping screws to mount panel to booth
- Bolts/Nuts to mount fixture to panel.
- Wire whip pre-wired to fixture.
- (4) feet of 1/2" Liquid-Tite Flexible conduit
- 90° Flex connector to exit booth
- Straight flex connector to secure flex to fixture
- (1) Tube of caulk to seal around panel and fixture perimeter

NOTE:
Mounting requires drilling 7/8" hole in booth wall or ceiling to route flex conduit out of booth.

