

DATE:

FIXTURE TYPE:

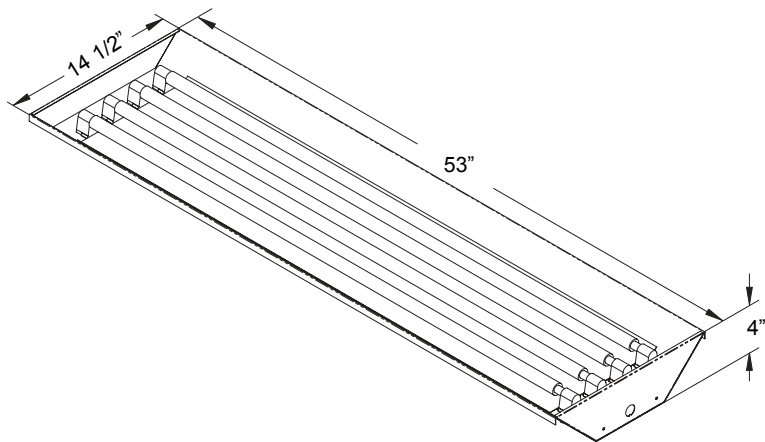
PROJECT NAME:

CATALOG #:



FEATURES

Open Industrial fixture
General Lighting
Spring loaded lamp holders
UL 1598 approved
Electronic Ballast
Even lamp spacing for optimum light distribution.



SPECIFICATIONS

- GENERAL:** Four ft. Four lamp
Front access, open front fixture
Compatible with most major brands of paint booths
- HOUSING:** Open type, general purpose,
1 piece, die formed construction
20 gauge durable white enamel finished steel
Spring loaded lamp holders
- LENS:** Clear tempered glass: 3/16" X 15" X 53"
(P/N 1706 see mounting kit P/N 36-016)
- MOUNTING:** Surface mount or chain mount
Fixture must be mounted behind
stationary sealed lens for spray booth application
- ELECTRICAL:** Available in 32, 40, 44, 54 watt.
- LISTINGS:** UL listed in U.S. and Canada
- OPTIONS:** 2 lamp model available
Chain Hanging Kit (P/N 3218)
Installation Kit (P/N 36-016)

	Shipping Weight	Volume	Dimensions L W H
226	25#	2.07 Cu. Ft.	53"L 15"W 4.5"H

226 SERIES GENERAL PURPOSE LIGHTING

226 Series

Four Lamp Four Ft.
Open Front Fixture

Watts	Description	Hub Size (Inches)	Voltage	Catalog Number
32	I.S., T8 Electronic F32T8, Med. Bi-Pin, 265 mA, 48"	3/8 BX	120-277V 347V/60HZ	390226-3546 390226347-3125
	I.S., T8 Electronic F32T8, Med. Bi-Pin, 265 mA, 48", H. L. O.	3/8 BX	120V/60HZ 277V/60HZ	390226120-1744 390226277-1766
40	R.S., T12, F40T12, Medium Bi-Pin, 430 mA, 48"	3/8 BX	120V/60HZ 277V/60HZ 347V/60HZ	390226120-1289 390226277-1290 390226347-3278
44	I.S., T8 Electronic F48T8, Recessed Double Contact 48" H.O.	3/8 BX	120-277V 277V/60HZ	390226120-4157 390226277-3792
54	P.S., T5 HO Electronic, Miniature Bi-Pin, Multiple Voltage 120-277	3/8 BX	120-277V 50/60HZ	390226-3265

LAMPS SOLD SEPARATELY
See pg. 70 for lamp selection

MOUNTING OPTIONS

Optional Installation Hardware Kit: P/N 4691

Item	Description	Qty.
1.	1/2" x 3/4" Gasket	12
2.	Light Clip	4
3.	Glass Clip	2
4.	Clear Tempered Glass 3/16" x 15" x 53" (not included in kit. P/N 1706)	1
5.	1 1/2" x 1 1/2" Corner Bracket	4
6.	Frame (15 3/4" Long)	2
7.	Frame (53 1/2" Long)	2
8.	1/8" Pop Rivet	8
9.	Nut Hex 1/4 - 20 Zinc Coated HHCS 1/4 - 20 Zinc Coated Installation Sketch	10 1

Mounting Options: P/N 3218 Kit consists of 2-Chain
Hanger Brackets and 2-24 inch Pieces of Chain

