

241 SERIES

VAPOR/DUST PROOF LIGHTING

DATE: _____ PROJECT MGR: _____

JOB: _____

PN: _____



APPLICATIONS

Paint Spray Booths
Prep Areas
Inspection Areas
Sanding Areas
Laboratories
Food Processing

The 241 Series is an ideal product for a multitude of areas including Paint Spray Booths, Prep Areas, Inspection Areas, Sanding or Machining Areas, even where Grain or Coal Dust may be a concern. This 4 lamp 4' fixture is available in wattages including 32, 40, 44, 54, and 60 watts with a rear access piano hinged door for easy access to lamps and ballast. The 241 Series carries multiple listings from UL and ETL for Class I Div. 2 & Class II Div. 2 applications. Must be mounted hinge side up. Lamps not included.

SPECIFICATIONS

LISTINGS: ETL certified U.S. and Canada
Class I Division 2 Groups A,B,C,D
T3C (160 degree C) operating code
Class II Division 2 Groups F,G
T3C (160 degree C) operating code
Listed for damp locations
Listed for locations having deposits of readily combustible paint residues.
UL 844 listed for hazardous locations
Class I Division 2 Groups A,B,C,D
T3C (160 degree C) operating code



FEATURES: Piano hinged rear access fixture.
Spring loaded lamp holders - Except T5HO

ELECTRICAL: Available in 32, 40, 44, 54, and 60 watts in T5HO, T8, T8HO, T12, & T12HO lamps.
Voltages of 120, 277, & 347 volts.

OPTIONS: ALL OPTIONS ORDERED SEPARATELY
EM: Emergency battery backup ballast
120 or 277V MUST SPECIFY
5901: 8 Ft. 3-wire whip

• MOUNTING KITS - ordered separately - see page 92
4692: Installation kit



Piano hinged rear access

VAPOR/DUST PROOF LIGHTING



241 SERIES

VAPOR/DUST PROOF LIGHTING

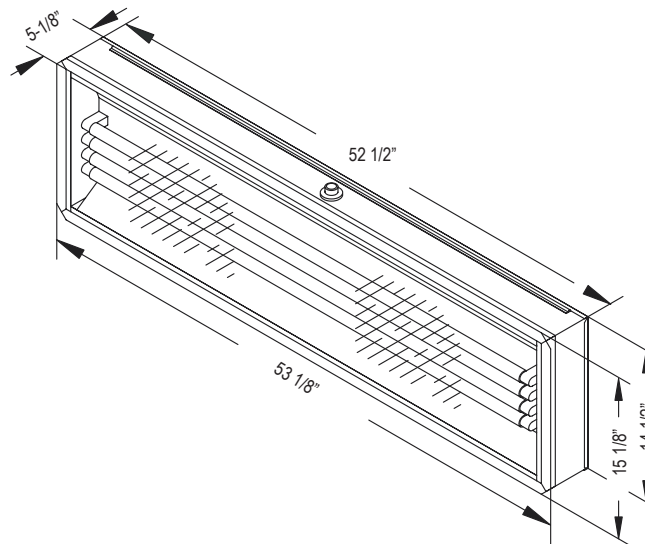


www.ldpi-inc.com

Series	Watts	Lamp Qty	Hub	Order #		Voltage
390241 Rear Access Only	32W T8	4	1/2" NPT	390241	3546	120-277 Volts 50/60HZ
			1/2" NPT	390241347	3125	347 Volts 60HZ
	32W T8HLO	4	1/2" NPT	390241	6974	120-277 Volts 60HZ
	44W T8HO	4	1/2" NPT	390241120	4157	120 Volts 60HZ
			1/2" NPT	390241277	3792	277 Volts 60HZ
	54W T5HO	4	1/2" NPT	390241	4843	120-277 Volts 50/60HZ
	40W T12	4	1/2" NPT	390241	1712	120-277 Volts 60HZ
60W T12HO	4	1/2" NPT	390241	3260	120-277 Volts 60HZ	

LAMPS SOLD SEPARATELY
 (Multiple voltages available, consult factory)
 Mounting Options - See Page 92

DIMENSIONS (Nominal)



241 Series

Part Number: 4692 Installation Kit

Item	Description	Qty.
1.	1/2" x 3/4" Gasket	12
2.	Light Clip	4
3.	Glass Clip	2
4.	Clear Tempered Glass 3/16" x 15" x 53" *Not included in kit. Ordered separately as P/N 1706	1
5.	1 1/2" x 1 1/2" Corner Bracket	4
6.	Frame (15 3/4" Long)	2
7.	Frame (53 1/2" Long)	2
8.	1/8" Pop Rivet	8
9.	Nut Hex 1/4 - 20 Zinc Coated HHCS 1/4 - 20 Zinc Coated Installation Sketch	10 1

Installation Detail

