

# 260/261 SERIES

## VAPOR/DUST PROOF LIGHTING

DATE: \_\_\_\_\_ PROJECT MGR: \_\_\_\_\_

JOB: \_\_\_\_\_

PN: \_\_\_\_\_



Model 260: Front and rear access



Model 261: Rear access only

### APPLICATIONS

Paint Spray Booths  
Clean Rooms  
(Class 100 - 100,000)  
Locker Rooms  
Computer Areas  
Damp Locations  
Fuel Storage

The 260/261 Series is a product designed specifically for Paint Spray Booths. With a wider fixture design these products will provide increased photometric output and efficiencies. These 4 lamp 4' fixtures are available in wattages including 32, 40, and 60 Watts. The 260 Series allows for both Front and Rear access using a paint spray cutoff switch when the front door frame is opened. The 261 Series is a rear access only fixture and does not require paint spray cutoff. Both units carry multiple listings from ETL for Class I Div. 2 & Class II Div. 2 applications. Must be mounted hinge side up. Lamps not included.

### SPECIFICATIONS

#### LISTINGS:

ETL listed for U.S. and Canada  
Class I Division 2 Groups A,B,C,D  
T3C (160 degree C) operating code  
Class II Division 2 Groups F,G  
T3C (160 degree C) operating code  
Listed for locations having deposits of readily combustible paint residues.



#### FEATURES:

20 Gauge steel construction with white baked enamel finish which creates a durable, highly reflective finish.  
Housing styles for either front or rear accessibility in the Series 260, or rear access only in the Series 261.

#### LENS:

3/16" clear tempered glass.

#### ELECTRICAL:

Paint spray cutoff switch for the front door frame access of the 260 Series.  
Available in 32, 40, and 60 watts in T8, T12, & T12HO lamps.  
Voltages of 120, 277, & 347 volts.

#### OPTIONS:

ALL OPTIONS ORDERED SEPARATELY  
EM: Emergency battery backup ballast  
120 or 277V - MUST SPECIFY  
Wire whip 8 Ft. - 5901: 3-wire (261) or 5902: 5-wire (260)

• MOUNTING KITS - ordered separately - see page 93  
Panel stiffener kit #1704 (fits 18 gauge panels only)

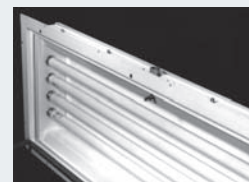
#### NOTE:

Normally open magnetic switches are intended to be used to trigger a relay (furnished by others) which disables the paint system. Because of the small capacity of the switch a solid state relay is recommended. It may be desired by others to utilize a separate power supply to segregate the relay (furnished by others) from the lighting power supply.  
The magnetic switch IS NOT designed to directly control light operation!  
The magnetic switch is rated for 10 watts resistive at a maximum of 300 VAC.

#### CAUTION:



Overloading the switch circuits WILL cause failure.  
LDPI, Inc. recommends having a certified electrician/engineer review loads to ensure that overloading of switch does not occur.



Interlock Microswitch  
Model 260



### VAPOR/DUST PROOF LIGHTING

# 260/261 SERIES

## VAPOR/DUST PROOF LIGHTING

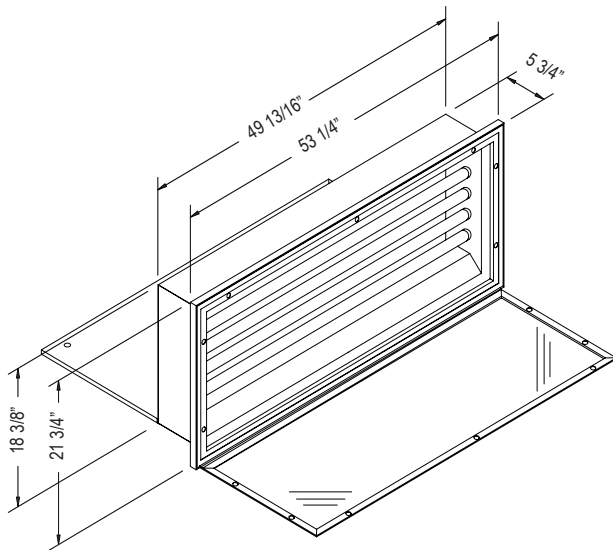


www.ldpi-inc.com

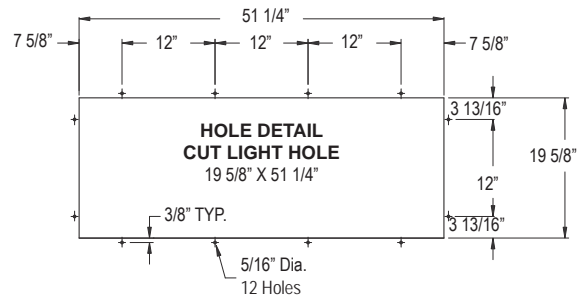
Series	Watts	Lamp Qty	Hub	Order #	Voltage
390260 Front & Rear Access	32W T8	4	1/2" NPT	390260 3546	120-277 Volts 50/60HZ
		4	1/2" NPT	390260347 3125	347 Volts 60HZ
	32W T8HLO	4	1/2" NPT	390260 6974	120-277 Volts 60HZ
	40W T12	4	1/2" NPT	390260 1712	120-277 Volts 60HZ
390261 Rear Access Only	32W T8	4	1/2" NPT	390261 3546	120-277 Volts 50/60HZ
		4	1/2" NPT	390261347 3125	347 Volts 60HZ
	32W T8HLO	4	1/2" NPT	390261 6974	120-277 Volts 60HZ
	40W T12	4	1/2" NPT	390261 1712	120-277 Volts 60HZ
	60W T12HO	4	1/2" NPT	390261 3260	120-277 Volts 60HZ

LAMPS SOLD SEPARATELY  
 (All Options Ordered Separately)  
 Mounting Options - See Page 93

DIMENSIONS (Fixture dimensions are nominal. Cut-out dimensions are actual.)



Rear Access Panel  
 Models 260 & 261



# MOUNTING

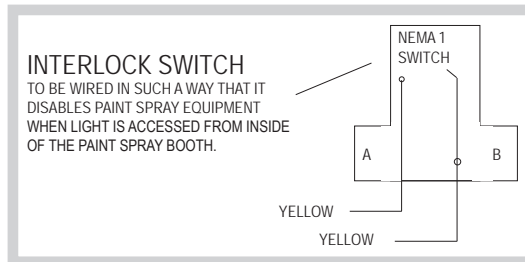
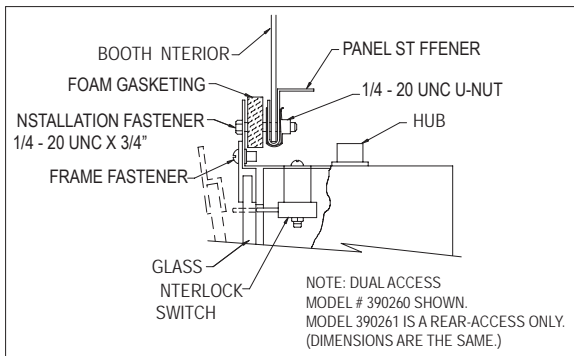
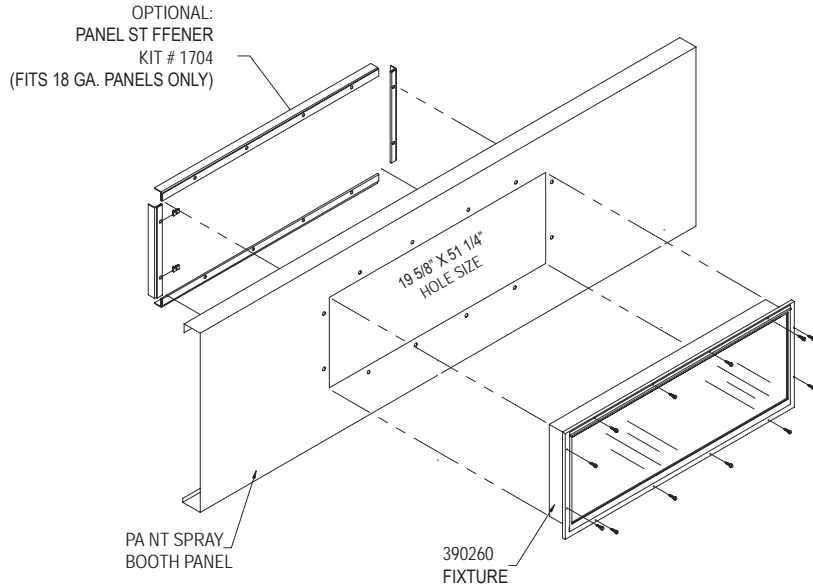
FOR LDPI, INC. FIXTURES



www.ldpi-inc.com

260/261 Series

Part Number: 1704 Panel Stiffener and Interlock Switch



**IMPORTANT:**

Normally open magnetic switches are intended to be used to trigger a relay (furnished by others) which disables the paint system. Because of the small capacity of the switch, a solid state relay is recommended. It may be desired by others to utilize a separate power supply to segregate the relay (furnished by others) from lighting power supply. The magnetic switch is rated for 10 watts (resistive) at a maximum of 300 VAC.

The magnetic switch is NOT designed to directly control light operation.

**CAUTION:** Overloading the switch circuits will cause failure. LDPI® recommends having a certified electrician/engineer review circuit loads to insure that overloading of switch does not occur.

