

383 SERIES

EXPLOSION PROOF INCANDESCENT

DATE: _____ PROJECT MGR: _____

JOB: _____

PN: _____



Pendant Mount



Ceiling Mount



Bracket Mount

APPLICATIONS

Paint Spray Booths
Wet/Damp Locations
Marine Locations
Indoor & Outdoor
Corrosive Areas

The 383 Series is a fixture designed for Explosion-Proof and Hazardous environments. The cast aluminum housing is completed with a heat and impact resistant globe. This product handles incandescent sources up to 300 watts but is limited to 75 watts in paint spray booth applications and features a single thumb screw for easy re-lamping. This product has multiple listings from UL and is UL844 listed. Lamp not included.

SPECIFICATIONS

LISTINGS: Class I, Div. 1 and 2, Group C and D
Incandescent Class II, Div. 1 and 2, Groups E, F and G
Class III
UL 844 listed U.S.



250V AC MAX

FEATURES: Explosion proof incandescent fixture for hazardous locations
Cast aluminum construction with epoxy powder coat finish
Heat and impact resistant prismatic glass globe with die cast guard
Corrosion resistant

ELECTRICAL: 120 Volt
Easy relamping with single thumb screw

REFLECTOR: Optional dome or angle reflector

MOUNTING: Pendant, ceiling or bracket
Comes standard with 4 hubs.

OPTIONS: ALL OPTIONS ORDERED SEPARATELY

Standard dome reflector: P/N 3918



Direct light down with a dome reflector. Highly reflective finish over heavy gauge aluminum base. Field installation with 4 screws. **Does not fit bracket mount.**

Angle reflector: P/N 3919



Direct light down and to the side with a 30° angle reflector. Highly reflective white epoxy finish over heavy gauge aluminum base. Field installation with 4 screws.

4 hole box: P/N 3920-EXB shown



Explosion proof junction box for wiring or pendant fixture hanging. 4 NPT tapped hubs in sides. 3 close-up plugs provided. Blank, 1/2" or 3/4" tapped covers.

8 hole box: P/N 3921-EXJ1 shown



Explosion proof junction box for wiring or pendant fixture hanging. 6 tapped hubs in sides, 2 in bottom. 7 close-up plugs provided. Blank, 1/2" or 3/4" tapped covers.

Exit sign: P/N 3922



Optional exit sign fits over explosion proof light.

EXPLOSION PROOF INCANDESCENT

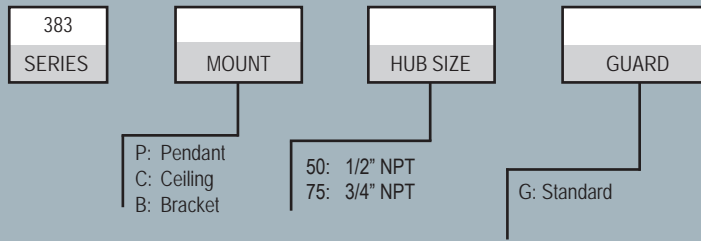


383 SERIES

EXPLOSION PROOF INCANDESCENT



www.ldpi-inc.com



NOTE:
• Standard Color: Gray

LAMPS SOLD SEPARATELY

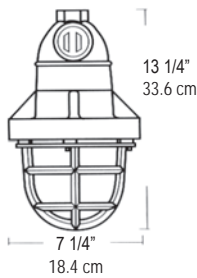


ULus LISTINGS:				Maximum Wattage		
Location Class	Div.	Operating Groups	Without Temp. code	W/Std. Dome Reflector	W/30° Dome Reflector	Reflector
I	1 & 2	C & D	T3C	300	300	300
	1 & 2	D	T4A	75	-	-
II	1 & 2	E & F	T3	200	150	200
	1 & 2	E, F & G	T3C	100	-	150
III	-	-	T3C	100	100	150

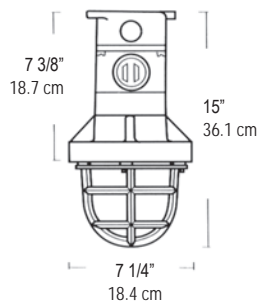


DIMENSIONS (Nominal)

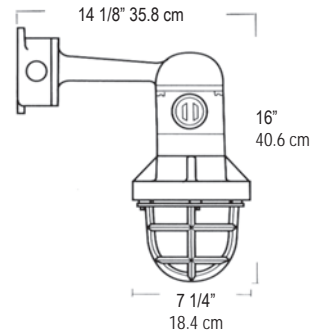
383 Pendant Mount



383 Ceiling Mount
Comes standard with 4 Hole Box



383 Bracket Mount
Comes standard with 4 Hole Box



Optional Mounting Hubs

4 Hole Box

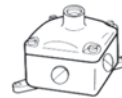
Explosion Proof junction box for wiring. With cover tap it allows pendant fixture hanging. 4 NPT tapped hubs in sides. 3 close-up plugs provided. Blank, 1/2" or 3/4" NPT tapped covers.



Standard Box 4 hubs - Blank cover



4 Hub box with 1/2" NPT cover tap
3920-EXB1



Cover Tap	1/2" NPT Side Hubs	3/4" NPT Side Hubs
Blank	3920-EXB	3920-EXB-3/4
1/2"	3920-EXB1	3920-EXB1-3/4
3/4"	3920-EXB2	3920-EXB2-3/4

8 Hole Box

Explosion Proof junction box for wiring. With cover tap it allows pendant fixture hanging. 6 NPT tapped hubs in sides, two in bottom. 7 close-up plugs provided. Blank, 1/2" or 3/4" NPT covers.



Optional Box 8 hubs 1/2" NPT cover



8 Hub box with 1/2" NPT cover tap
3921-EXJ1



Cover Tap	1/2" NPT Side Hubs	3/4" NPT Side Hubs
Blank	3921-EXJ	3921-EXJ-3/4
1/2"	3921-EXJ1	3921-EXJ1-3/4
3/4"	3921-EXJ2	3921-EXJ2-3/4