

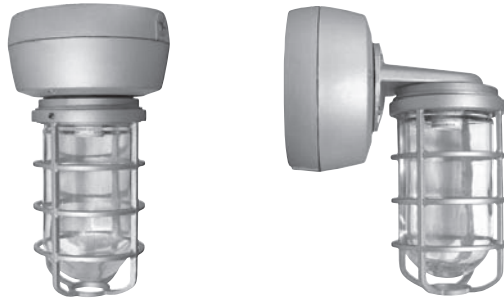
387 SERIES

VAPOR PROOF CFL/HID LIGHTING

DATE: _____ PROJECT MGR: _____

JOB: _____

PN: _____



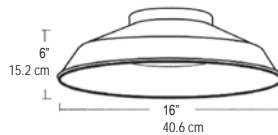
APPLICATIONS

- Facility Entrances
- Loading Docks
- Waste Water Treatment Areas
- Water Treatment/Storage
- Food Processing
- Tunnels
- Retail
- Utility Areas
- Elevator Pits

The 387 Series is cast aluminum in construction that allows for 13, 26, 32 and 42 watts in CFL (compact fluorescent) lamps; 35, 50, 70, or 100 watts HID in HPS (high pressure sodium) lamps and 50, 70 or 100 watts of HID for MH (metal halide) lamps. The product is suitable for wet locations. It is vapor proof making it easy to hose down for cleaning if necessary. The 387 Series has a prismatic glass globe for even light distribution and is available in ceiling or wall mounting options with optional dome and angle reflectors. Lamp Included.

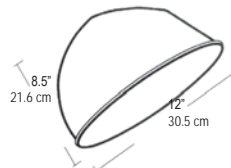
SPECIFICATIONS

- LISTINGS:** UL 1598 listed U.S. and Canada
Certified for wet locations.
- FEATURES:** Vapor proof compact fluorescent light fixture
High temperature silicone internal gaskets
Weatherproof ballast box
Die cast aluminum for superior quality
CFL: Compact fluorescent
High pressure sodium
Metal halide
- HOUSING:** Die cast aluminum with brass screws
- REFLECTOR:** Highly reflective white baked polyester epoxy powder finish over a heavy gauge aluminum base.
Reflectors thread onto fixtures.
(Ceiling mount only)
- MOUNTING:** Available in ceiling and bracket/box mount
- ELECTRICAL:** Available in 13, 26, 32, 35, 42, 50, 70 and 100 watt in Fluorescent, high pressure sodium and metal halide lamps.
Voltages: 120, 208, 240 and 277
Easy relamping with single thumb screw
- OPTIONS:** ALL OPTIONS ORDERED SEPARATELY
Colored globes
Colored housings
Standard dome reflector: P/N 3943



Direct light down with a dome reflector. Highly reflective finish over heavy gauge aluminum base. Field installation with 4 screws. **Does not fit bracket/box mount.**

Angle reflector: P/N 3944



Direct light down and to the side with a 30° angle reflector. Highly reflective white epoxy finish over heavy gauge aluminum base. Field installation with 4 screws.

VAPOR PROOF CFL/HID LIGHTING



387 SERIES

VAPOR PROOF LIGHTING

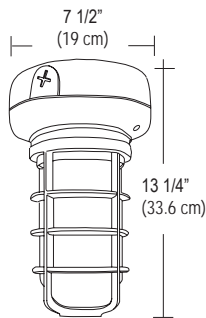


www.ldpi-inc.com

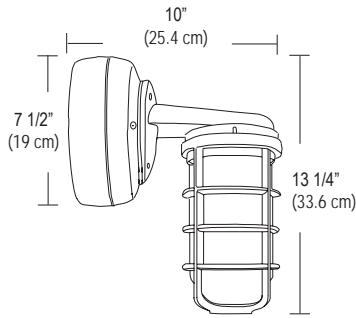
387 SERIES	MOUNT	LAMP TYPE	VOLTAGE	GLOBE	GUARD
	CB: Ceiling/Box BB: Bracket/Box	Size Wattage 13: 13W Quad Tube 26: 26W Triple Tube 32: 32W Triple Tube 42: 42W Triple Tube 35S: 35W HPS* 50S: 50W HPS* 70S: 70W HPS* 100S: 100W HPS* 50H: 50W MH** 70H: 70W MH** 100H: 100W MH**	120: 120 Volt 35W HPS only DT: Dual Tap (120 & 277 Volt: 50W HPS only) QT: Quad Tap (120, 208, 240 & 277 Volt)	SG: Std Round Globe	DC: Die Cast (All fixtures come standard with guard)
			NOTE: Lamps are included with fixtures • Standard color: natural unpainted finish • Globe options and colors available Consult factory for availability and pricing • Colored housing available Consult factory for availability and pricing	Housing Finishes Available: <input type="radio"/> Natural - Standard <input type="radio"/> Silver Gray <input type="radio"/> White <input type="radio"/> Black	
		* HPS: High Pressure Sodium ** MH: Metal Halide			

DIMENSIONS

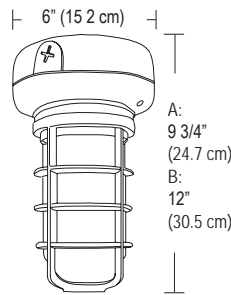
387 HID Ceiling Mount



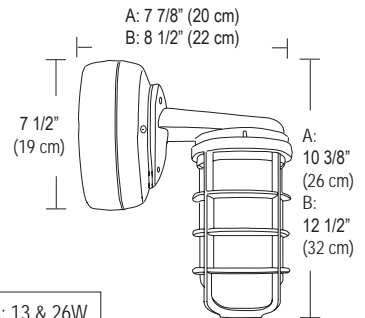
387 HID Bracket Mount



387 CFL Ceiling Mount



387 CFL Bracket Mount



A: 13 & 26W
 B: 32 & 42W