

440 2x4 SERIES

T-8 TROFFER

DATE: _____ PROJECT MGR: _____

JOB: _____

PN: _____



APPLICATIONS

Clean Rooms
(Class 100 - 100,000)
Locker Rooms
Computer Areas
Damp Locations

The 440 2x4 Series is a slim 4 1/4" product that is suited for use in clean room applications where a lay-in, recessed or surface mount troffer application is desired. The 440 2x4 Series is a Vapor & Dust proof product with ETL listings of Class I Division 2 & Class II Division 2. This series comes in a 4 lamp configuration of T8 32W lamps, and utilizes a specular polished reflector system for increased light output. Lay-in fixture fits 2x4' grids with up to a 2" industrial "T-grid" suspension system. Lamps not included.

SPECIFICATIONS

LISTINGS: ETL listed for U.S. and Canada
Class I Division 2 Groups A,B,C,D
T3C (160 degree C) operating code
Class II Division 2 Groups F & G
T3C (160 degree C) operating code



FEATURES: 20 Gauge enclosed, sealed & gasketed steel construction with post painted white powder coat finish.
Front access troffer style.
Standard lay-in mounting

LENS: 3/16" prismatic tempered glass lens.

ELECTRICAL: Available in 32 watts with T8 lamps
120-277 volt universal ballast

OPTIONS: ALL OPTIONS ORDERED SEPARATELY
EM: Emergency battery backup ballast
120 or 277V - MUST SPECIFY
5901: 8 Ft. 3-wire whip
3/16" clear tempered glass lens

T-8 TROFFER



440 2x4 SERIES

T-8 TROFFER

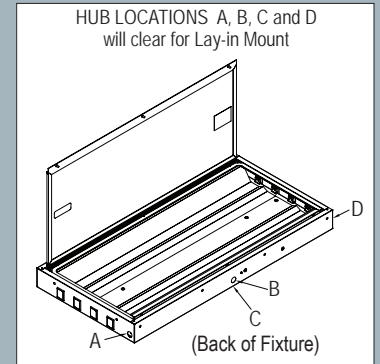


www.ldpi-inc.com

3904402X4 SERIES	LAMP TYPE T: T8 32W	MOUNT L: Lay-in* R: Recessed flange/box panel (for use with kits 8363 & 3332) S: Surface mount (for use with kit 8362)	HOUSING PP: PrePaint PC: Powder Coat (Standard) AS: Aluminized Steel GS: Galvanized Steel	HUB Hub location A, B, C or D See Hub Locations	BALLAST 3546: T8 120-277 Volts 50/60 Hz
----------------------------	-------------------------------	--	--	--	--

* Lay-in Mount is standard. Other mounting options ordered separately

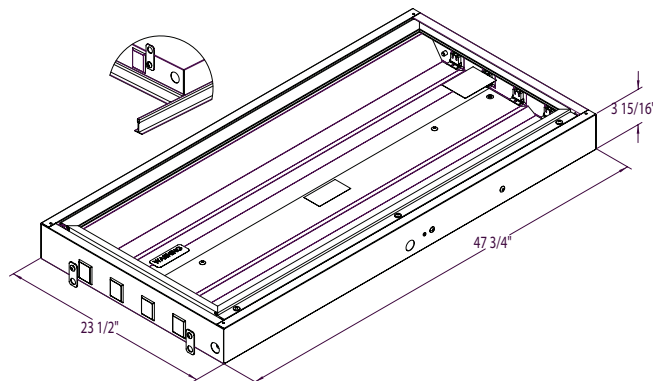
LAMPS SOLD SEPARATELY



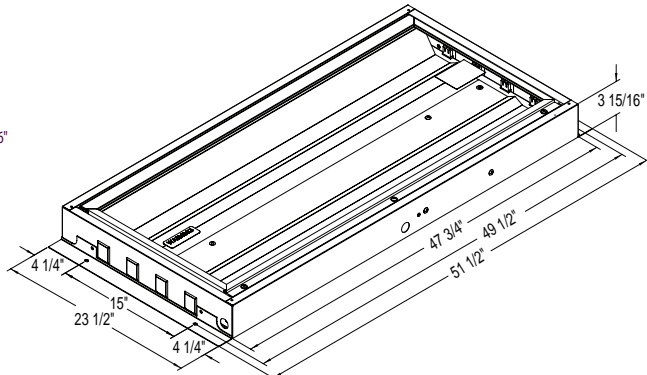
DIMENSIONS (Nominal) & MOUNTING (Ordered Separately)

Mounting Methods
 Ceiling Lay-In for 2' X 4' Grid (standard) Surface Mount: Kit P/N 8362 Recessed Flange Mount: Kit P/N 8363 Box Panel Mount: Kit P/N 3332

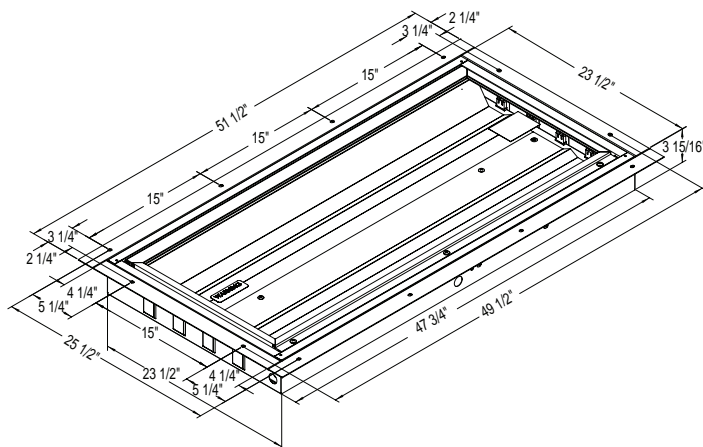
LAY-IN MOUNT
STANDARD



SURFACE MOUNT
KIT P/N 8362



RECESSED FLANGE
MOUNT: P/N 8363



BOX PANEL MOUNT
P/N 3332

