

440T/THO SERIES

T-5 or T5HO TROFFER

DATE: _____ PROJECT MGR: _____

JOB: _____

PN: _____



APPLICATIONS

Paint Spray Booths
Clean Rooms
(Class 100 - 100,000)
Locker Rooms
Computer Areas
Damp Locations
Fuel Storage
Limited plenum areas

The Series 440T / 440THO is a slim 2 1/4" product that is suited to being used in paint spray booths (with recessed flange mount option) & clean room applications where a lay-in troffer application is desired. The Series 440T / 440THO is a vapor & dust proof product with ETL listings of Class I Division 2 & Class II Division 2. This series comes in 4 lamp configurations of either T5 28W or T5HO 54W lamp options. Both utilize a specular insert for increased light output. Lamps not included.

SPECIFICATIONS

LISTINGS: ETL listed for U.S. and Canada
Class I Division 2 Groups A,B,C,D
T3C (160 degree C) operating code
Class II Division 2 Groups F & G
T3C (160 degree C) operating code
Listed for locations having deposits of readily combustible paint residues.




FEATURES: 20 Gauge enclosed, sealed & gasketed, post painted white powder coated finish.
Front Access troffer style. Standard lay-in mounting. (2' x 4' Grid)
Highly reflective white finish with a specular insert for increased light output.
90 degree self-contained hinge system (reduces overspray and dust)

LENS: 3/16" prismatic tempered glass lens.

ELECTRICAL: Available in 28 and 54 watts with T5 and T5HO lamps
120-277 and 347-480 volt universal ballast. Hub location varies,
dependent on mounting style and customer preference.
Paint spray cutoff switch for front door frame access.

OPTIONS: ALL OPTIONS ORDERED SEPARATELY
5902: 8 Ft. 5-wire whip
3/16" clear tempered glass
2 and 3 lamp configurations
• MOUNTING KITS - ordered separately - see next page
3330: surface mount, 3331: recessed flange mount or 3332: box panel mount

NOTE: Normally open magnetic switches are intended to be used to trigger a relay (furnished by others) which disables the paint system. Because of the small capacity of the switch a solid state relay is recommended. It may be desired by others to utilize a separate power supply to segregate the relay (furnished by others) from the lighting power supply.
The magnetic switch IS NOT designed to directly control light operation!
The magnetic switch is rated for 10 watts resistive at a maximum of 300 VAC.

CAUTION:  Overloading the switch circuits WILL cause failure.
LDPI, Inc. recommends having a certified electrician/engineer review loads to ensure that overloading of switch does not occur.

T-5 or T5HO TROFFER



440T/THO SERIES

T-5 or T5HO TROFFER



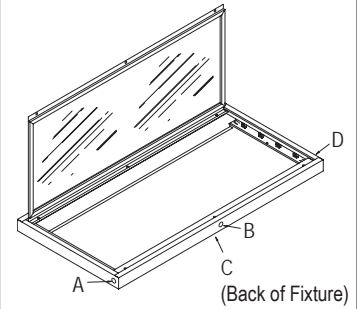
www.ldpi-inc.com

390440 SERIES	LAMP TYPE	MOUNT	HOUSING	HUB	BALLAST
	T: T5 28W THO: T5HO 54W	L: Lay-in* R: Recessed flange/box panel (for use with kits 3331 & 3332) S: Surface mount (for use with kit 3330)	PP: PrePaint PC: Powder Coat (Standard) AS: Aluminized Steel GS: Galvanized Steel	Hub location A, B, C or D See Hub Locations	4425: T5 120-277 Volts 3265: T5HO 120-277 Volts 5420: T5HO 347-480 Volts

* Lay-in Mount is standard. Other mounting options ordered separately

LAMPS SOLD SEPARATELY

HUB LOCATIONS A, B and D **NOT** recommended for Lay-in Mount
C: not for use with surface mount.



DIMENSIONS (Nominal) & MOUNTING (ordered separately)

Mounting Methods

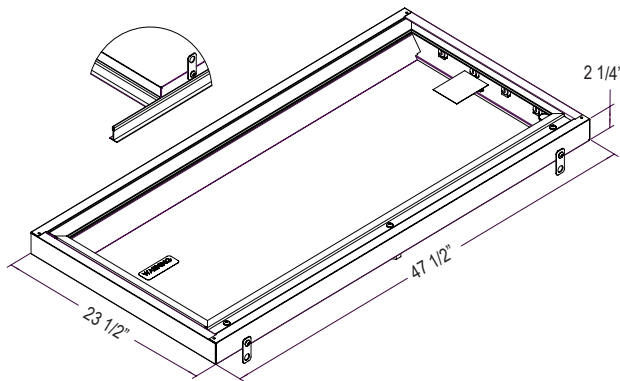
Ceiling Lay-In for 2' X 4' Grid (standard)

Surface Mount: Kit P/N 3330

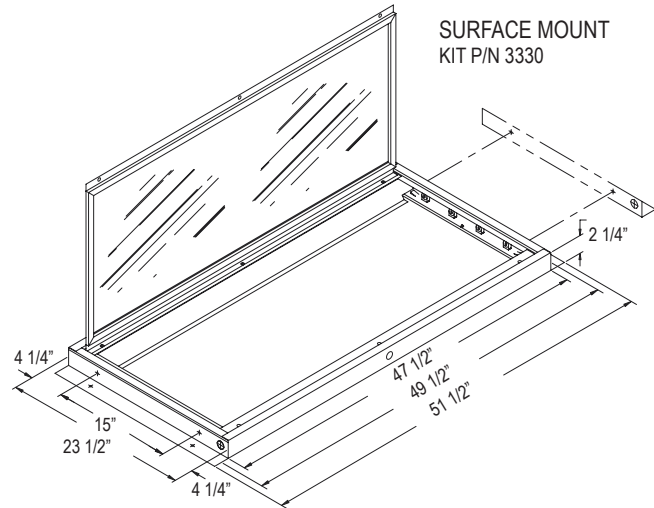
Recessed Flange Mount: Kit P/N 3331

Box Panel Mount: Kit P/N 3332

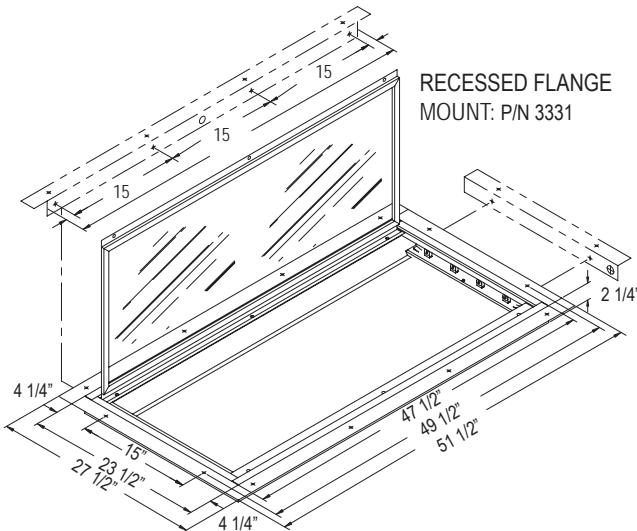
LAY-IN MOUNT
STANDARD



SURFACE MOUNT
KIT P/N 3330



RECESSED FLANGE
MOUNT: P/N 3331



BOX PANEL MOUNT
P/N 3332

