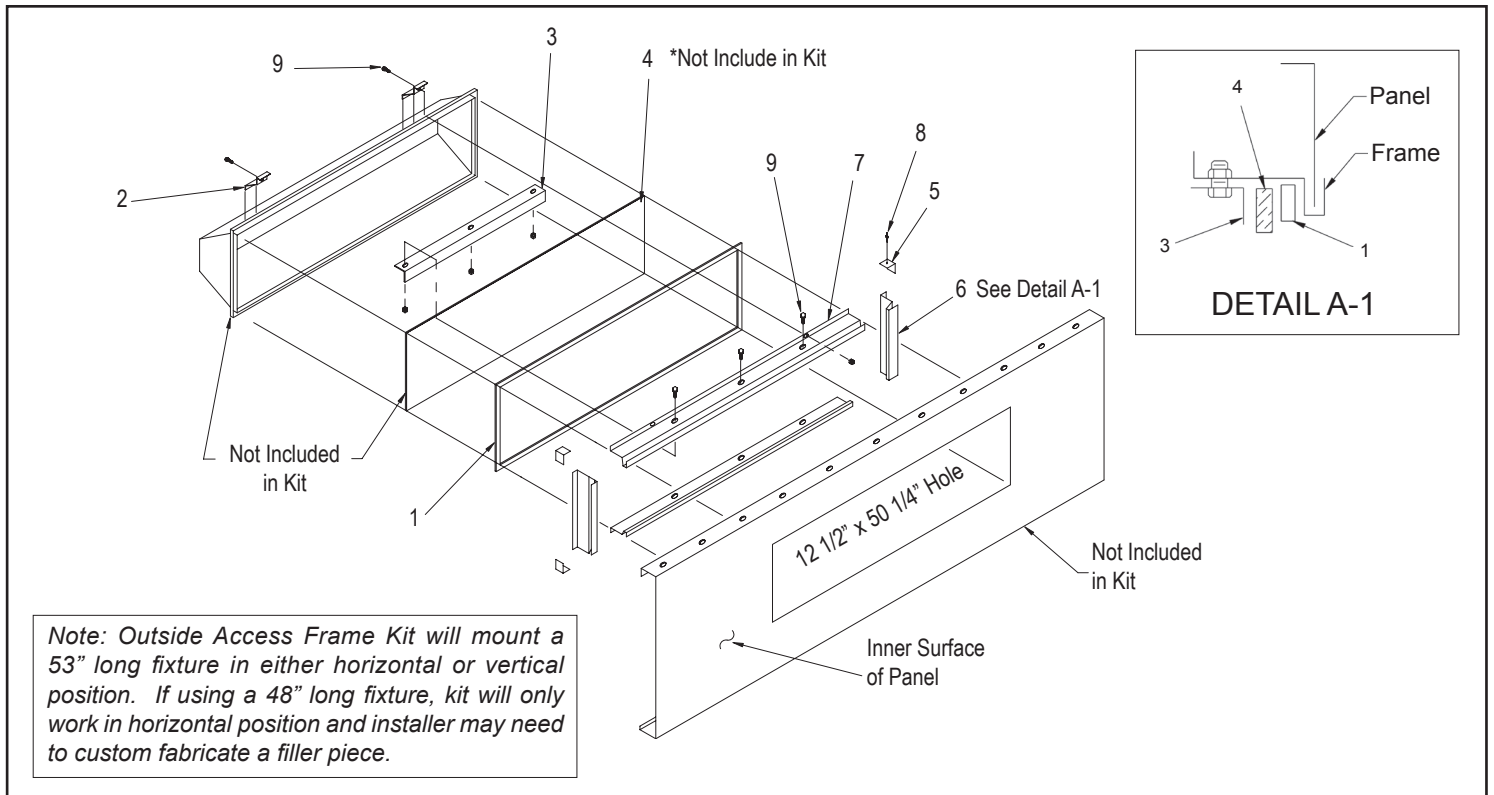


INSTALLATION INSTRUCTIONS FOR GENERAL PURPOSE FLUORESCENT FIXTURES

Utilizing an Outside Access Frame Kit (PN 36-016) for Mounting on Spray or Powder Booth:



Note: Outside Access Frame Kit will mount a 53" long fixture in either horizontal or vertical position. If using a 48" long fixture, kit will only work in horizontal position and installer may need to custom fabricate a filler piece.

1. Mark a 12-1/2" x 50-1/4" hole on booth panel where fixture is to be located.
2. Cut hole in booth panel using suitable tools.
3. Install panel frames (Item #6 and Item #7) into hole in panel as shown in detail A-1.
4. Install corner brackets (Item #5) to each corner where panel frames meet. Drill 1/8" holes through corner brackets and panel frames and pop rivet in place using 1/8" pop rivets included with installation kit.
5. Install glass lens into panel frame.
 - A. Install 1/2 x 3/4 open cell gasket (Item #1) around perimeter of panel frame as shown in detail A-1.
 - B. Install tempered glass lens (Item #4) into panel frame and lock into place using glass clips (Item #3) and 1/4 - 20 capscrews and nuts as shown in detail A-1.
6. Install light fixture into panel frame and lock into place using (4) light clips (Item #2) and 1/4 - 20 capscrews and nuts.
7. Installation is now complete and fixture is ready to be wired into service.

NOTE: See wiring diagram on ballast for proper wiring.

8. This fixture should be installed by qualified technicians in strict accordance with the National Electrical Code and any local requirements.

OPTIONAL INSTALLATION HARDWARE KIT

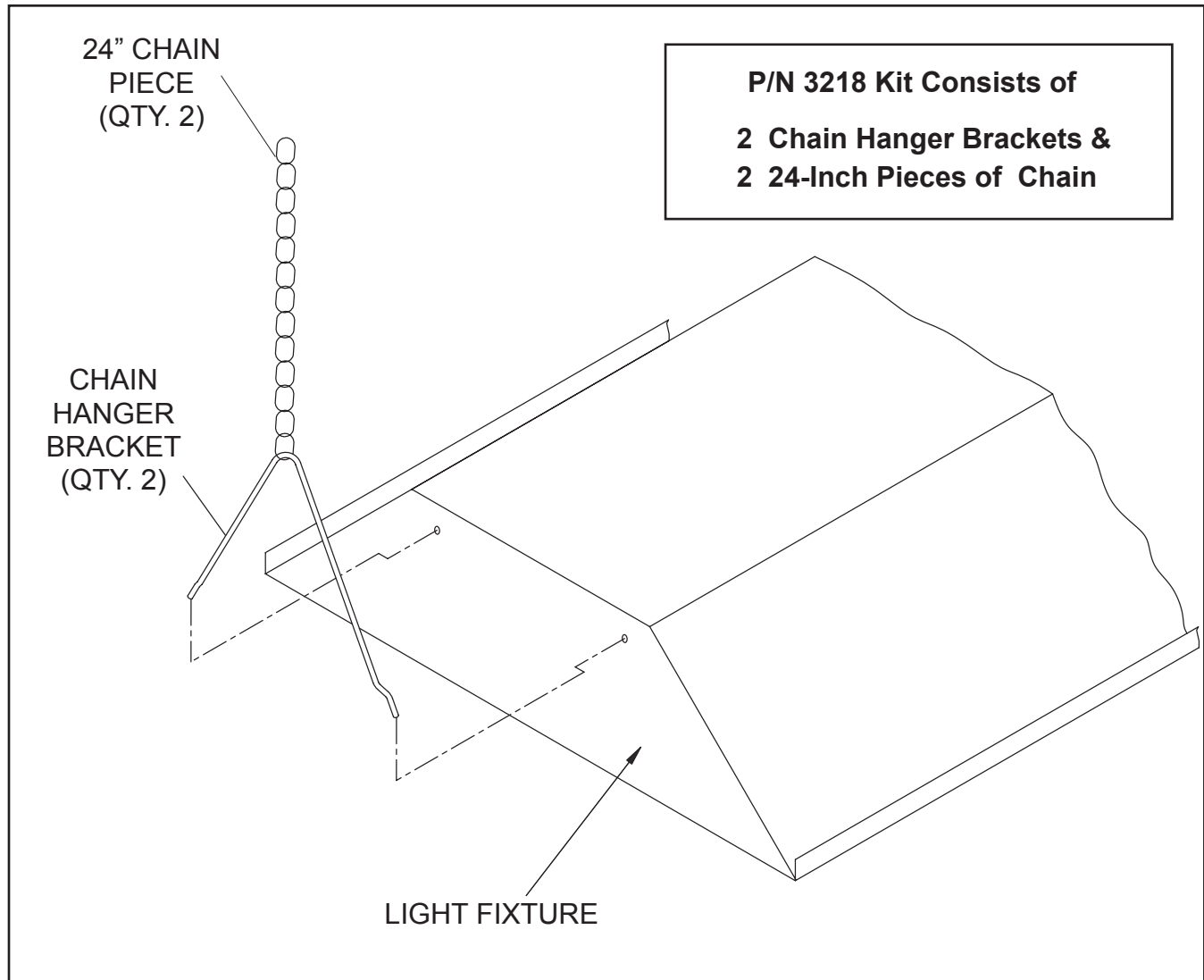
(P/N 36-016)

Item	Description	Qty.
1	1/2" x 3/4" Gasket.....	12'
2	Light Clip	4
3	Glass Clip	2
*4	Clear Tempered Glass 3/16"x15"x53"	1
5	1 1/2" x 1 1/2" Corner Bracket.....	4
6	Frame (15 3/4" Long)	2
7	Frame (53 1/2" Long)	2
8	1/8" Pop Rivet.....	8
9	1/4 - 20 Unc. x 3/4" Capscrew & Nut.....	10
	Installation Sketch	1

**Note: Item 4 (P/N 1706) is not included in Kit -- can be purchased separately.*

INSTALLATION INSTRUCTIONS FOR GENERAL PURPOSE FLUORESCENT FIXTURES

Using Optional Chain Hanging Kit (PN 3218) for Suspended in General (Non-Classified) Area Lighting:



1. Slide one end of chain onto chain hanger bracket.
2. Install chain hanger bracket into holes in fixture (see drawing).
3. Repeat steps 1 & 2 on opposite end of fixture.
4. Using caution, attach chain ends to suitable support structure in desired location.
5. This fixture should be installed by qualified technicians in strict accordance with the National Electrical Code and any local requirements.

NOTE: See wiring diagram on ballast for proper wiring.