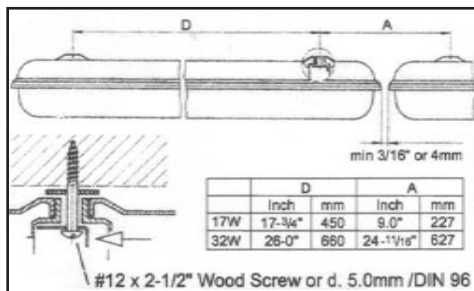


LDPI 375 and 377 WET/DAMP SERIES INSTALLATION INSTRUCTIONS



STEP 1

Select position for fixture and mark holes using dimensions shown in the illustration. Place washer on screw and partially insert into ceiling.



STEP 3

Snap sockets into place.



STEP 5

Once wiring is complete, snap metal reflector to retaining clips in center of fixture. Insert security clips and install lamps.



WARNING:

Make sure metal reflector is properly inserted into the channels of the body as shown.



STEP 2

Guide screws through the fixing hole in luminare body. Slide the slotted captive washers in the fixture clip across to catch head of mounting screw. Tighten.



STEP 4

Hang the metal reflector from the clips shown and make necessary wiring connections.



STEP 6

Guide diffuser into place, beginning at one end of fixture. Snap the cover into each clip by pressing firmly with the palm of your hand. Do one entire side of the fixture, then the other.

WARNING:

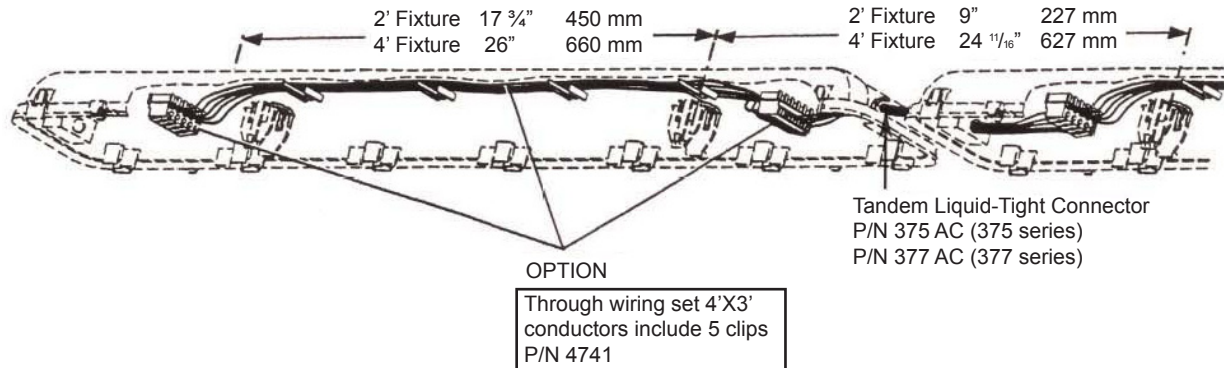
Make sure all clips are closed on both sides of the fixture. You will hear a loud click when each clip is closed.
14 clips - 4 foot fixture
8 clips - 2 foot fixture

- **IP Rating applies to properly installed fixtures only!**
- Respect chemical resistance. Ask for it if necessary.
- Not authorized technical changes on the fixture entail a loss of any guarantee.

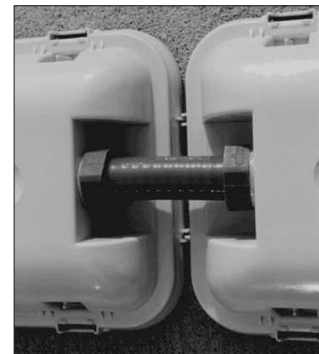
LDPI, Inc.
Eau Claire, WI 54703
TOLL FREE: 1-800-854-0021
FAX: 1-715-839-8145
Web: www.ldpi-inc.com
E-mail: sales@ldpi-inc.com

LDPI 375 and 377 WET/DAMP SERIES TANDEM INSTALLATION INSTRUCTIONS

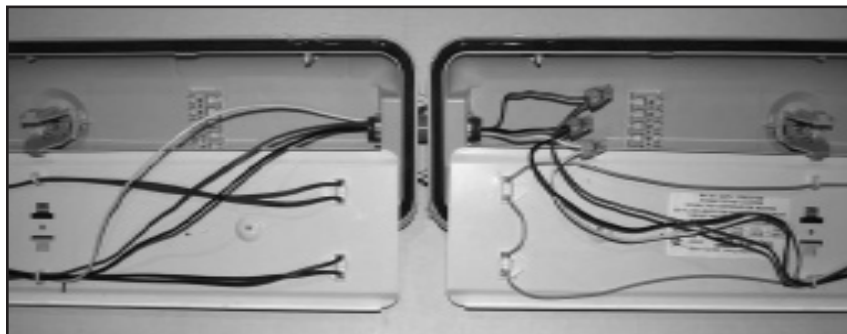
Tandem wiring is when two (or more) fixtures are attached together and wired into only one fixture but then internally wired to the other(s). 375 and 377 fixtures have niches for liquid-tight fittings. It avoids overlapping and allows to place fixtures side by side. 375 and 377 housings equipped with centering locks for easy row mounting and row alignment. Tandem liquid-tight wiring connector can be supplied with the fixture.



1. Drill the holes for two fixtures according to the picture above
2. Install the tandem liquid tight connector between the two fixtures
3. Twist counterclockwise and pull to remove the push-wire connector
4. Pull the extension wires through the tandem connector and connect them to their color coded counterparts using the removed push-wire connector.



Tandem Liquid-Tight Connector
P/N 375 AC (375 series)
P/N 377 AC (377 series)



LDPI, Inc.
Eau Claire, WI 54703
TOLL FREE: 1-800-854-0021
FAX: 1-715-839-8145
Web: www.ldpi-inc.com
E-mail: sales@ldpi-inc.com