



INSTALLATION, OPERATION AND MAINTENANCE INSTRUCTIONS

380 EMERGENCY EXPLOSION PROOF FLUORESCENT LIGHTING FIXTURES

IMPORTANT SAFEGUARDS

When using electrical equipment, basic safety precautions should always be followed including the following:

DANGER – Do not install or service unless area is known to be nonhazardous.
This fixture has more than one power supply connection.

TO REDUCE RISK OF FIRE OR EXPLOSION, DO NOT INSTALL WHERE THE MARKED OPERATING TEMPERATURE EXCEEDS THE IGNITION TEMPERATURE OF THE HAZARDOUS ATMOSPHERE (S)

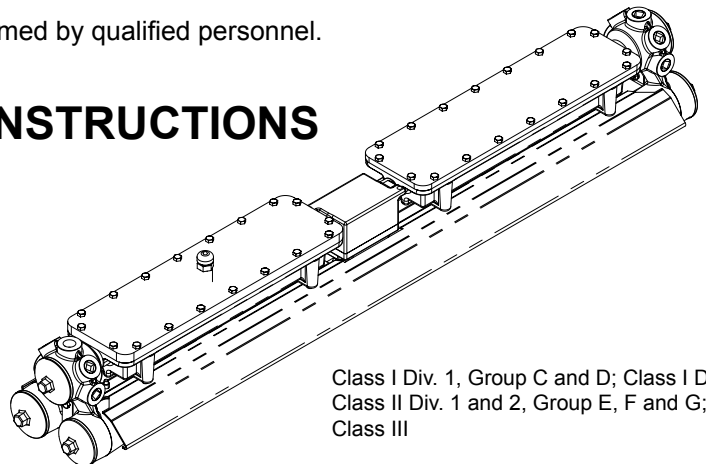
READ AND FOLLOW ALL SAFETY INSTRUCTIONS BEFORE INSTALLING THIS FIXTURE

1. This fixture should be installed in strict accordance with the National Electrical Code and any local requirements.
2. This fixture should be mounted in locations and at heights where it will not readily be subjected to tampering by unauthorized personnel.
3. To prevent ignition of hazardous atmosphere, disconnect fixture from the supply circuit before opening. Keep tightly closed when in operation. **When AC power is disconnected, the emergency ballast output will be live.**
4. To prevent high voltage from being present on the emergency ballast output leads (red and white), do not join the battery connector until installation is complete and AC power is supplied to the fixture.
5. The emergency ballast inside this fixture requires an unswitched AC power source of 120V, or 277V 60HZ.
6. To prevent the risk of electrical shock deactivate/disconnect both normal power and emergency power supplies and battery connector before installing, servicing or relamping fixture.
7. Do not mount near gas or electric heaters.
8. Do not let power supply cords touch hot surfaces.
9. Do not attempt to service the battery inside the emergency ballast of this fixture. The emergency ballast incorporates a sealed, no maintenance battery that is not field replaceable. Contact LDPI for factory replacement.
10. The use of accessory equipment not recommended by LDPI may cause unsafe conditions.
11. Do not use this equipment for other than intended use.
12. Installation and servicing of this fixture should be performed by qualified personnel.

SAVE THESE INSTRUCTIONS



LDPI, Inc.
4404 Anderson Drive
Eau Claire, WI 54703
TOLL FREE
1-800-854-0021
Web: www.ldpi-inc.com
E-mail: sales@ldpi-inc.com



Class I Div. 1, Group C and D; Class I Div. 2;
Class II Div. 1 and 2, Group E, F and G;
Class III

TYPICAL EXPLOSION-PROOF INSTALLATIONS

WARNING: To prevent high voltage from being present on the Emergency Ballast output leads (Red and White), do not join the battery connector (located inside the wiring compartment opposite end of fixture from line in) until installation is complete and AC power is supplied to the fixture (See Illustration 1). This should be done only when the area is non-hazardous.

NOTE: Before installing this fixture, make sure that the necessary branch circuit wiring is available. The Emergency Ballast in this fixture requires an unswitched source of power and must be fed from the same branch circuit as the AC ballast; therefore, in switched fixtures the Emergency Ballast must be connected ahead of any local switching (See Illustration 2).

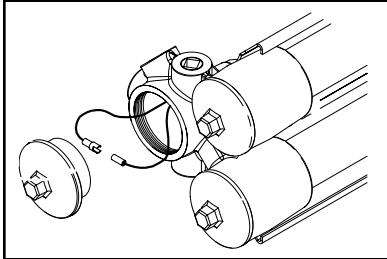


Illustration 1

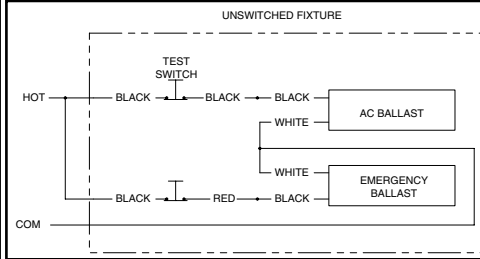
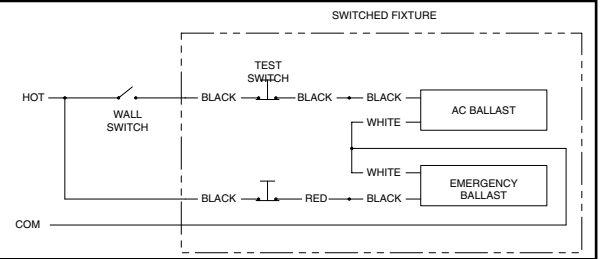


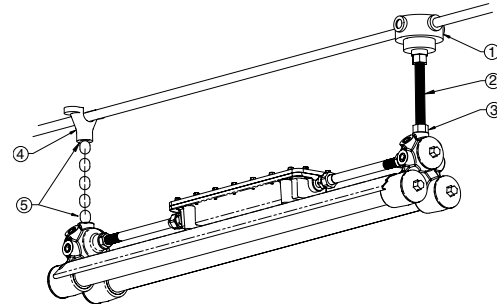
Illustration 2



1. This unit is furnished completely assembled. Before installing, check the fixture label to insure correct voltage and frequency.
2. Typical installation shown below:
3. After installation is complete, supply AC power to the fixture, and join the battery connector.
4. A short-term discharge test may be conducted after the Emergency Ballast has been charging for ½ hour. Charge for one week before conducting a long-term discharge test.

Dummy (non-powered) end lowers for relamping clearance which is required when fixtures are mounted in close proximity. Flexible mounting provides free swing and impact protection.

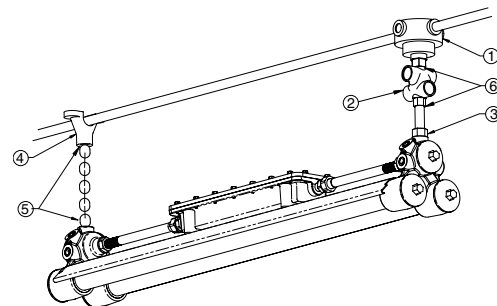
1. Splice Box/Fixture Hanger
2. Flexible Pendant Hanger
3. Union
4. Rigid Support
5. Support Hook



NOTE: Leave extra links to support fixture in relamping positions.

Dummy (non-powered) end lowers for relamping clearance which is required when fixtures are mounted in close proximity.

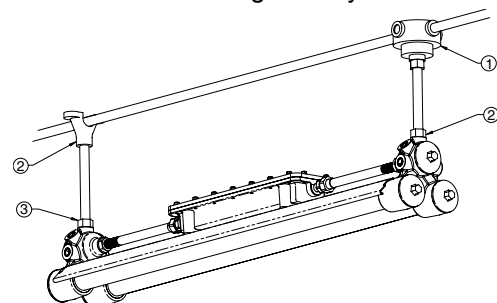
1. Splice Box/Fixture Hanger
2. Swivel Hanger
3. Union
4. Rigid Support
5. Support Hook
6. Conduit Nipple



NOTE: Leave extra links to support fixture in relamping positions.

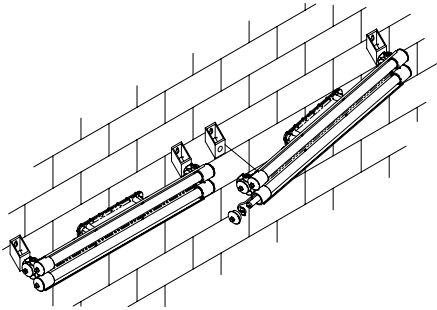
Rigid mounted — for installations where relamping can be accomplished without lowering dummy end.

1. Splice Box/Fixture Hanger
2. Union
3. Rigid Support

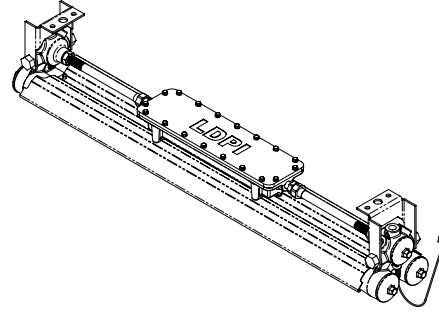


LDPI, Inc.
4404 Anderson Drive
Eau Claire, WI 54703
TOLL FREE
1-800-854-0021
Web: www.ldpi-inc.com
E-mail: sales@ldpi-inc.com

**WALL/CEILING
MOUNT KIT (2-LAMP)**
Part Number: 4401
Includes 2 brackets
2 hex head pipe thread screws
1 safety cable and assorted screws.



DROP MOUNT KIT
2-Lamp P/N: 4405 4-Lamp P/N: 4403
Includes 2 brackets
4 1/2 NPT bolts
1 safety cable and hook.
Can be mounted several ways to fit application.



OPERATIONAL DATA

1. Operate this fixture at its rated voltage. See fixture label for data. To receive full benefit of rated lamp output and to prolong ballast life, it is essential that voltage supply to the fixture be maintained within limits.
2. The AC ballast in this fixture is designed to operate on Grounded neutral systems only.
3. When AC power is applied, the charge indicator light is illuminated, indicating that the battery is being charged. When power fails, the Emergency Ballast within this fixture switches to emergency power, operating either 1 lamp at reduced illumination for at least 90 minutes.

MAINTENANCE DATA

All maintenance procedures are to be performed only when the atmosphere surrounding the fixture is nonhazardous.

1. Although no routine maintenance is required to keep this fixture functional, it should be checked periodically to ensure that it is working properly, and to look for any external damage. The following schedule is recommended:
 - a. Visually inspect the charging indicator light monthly. It should be illuminated.
 - b. Test the emergency operation of the fixture once every three months. One lamp should operate at reduced illumination.
 - c. Conduct a 90-minute discharge test once a year. 1 lamp should operate at reduced illumination for at least 90 minutes.
 - d. Remove breather and clean with dry compressed air (no oil or water in air line). Direct air stream from inside breather to outside once a year or more often if it is dusty conditions prevail. Reinstall, taking care not to damage threads.

Make sure breather is wrench tight.

2. For optimum performance, keep light transmission parts of the fixture clean. Any commercial glass cleaner can be used to clean the glass tubes.

3. To Relamp: disconnect supply circuit.

Remove the cover on either side of the fixture.

Remove screws. Remove lampholder bracket.

Withdraw old lamp.

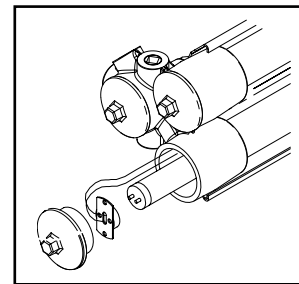
Remove rubber lamp washer from old lamp and slip it on end of new lamp.

(Washer will aid in lining lamp up with lampholder).

Insert new lamp in the opposite lampholder (Washer end first).

Replace lampholder into position on the lamp.

Tighten screws. Replace cover.



4. An optional Stainless Steel Wire Guard, Polycarbonate Shield or both can be installed on either fixture to protect PYREX glass tubes.

WIRE GUARD: 2 FT. P/N: 4466
4 FT. P/N: 4211

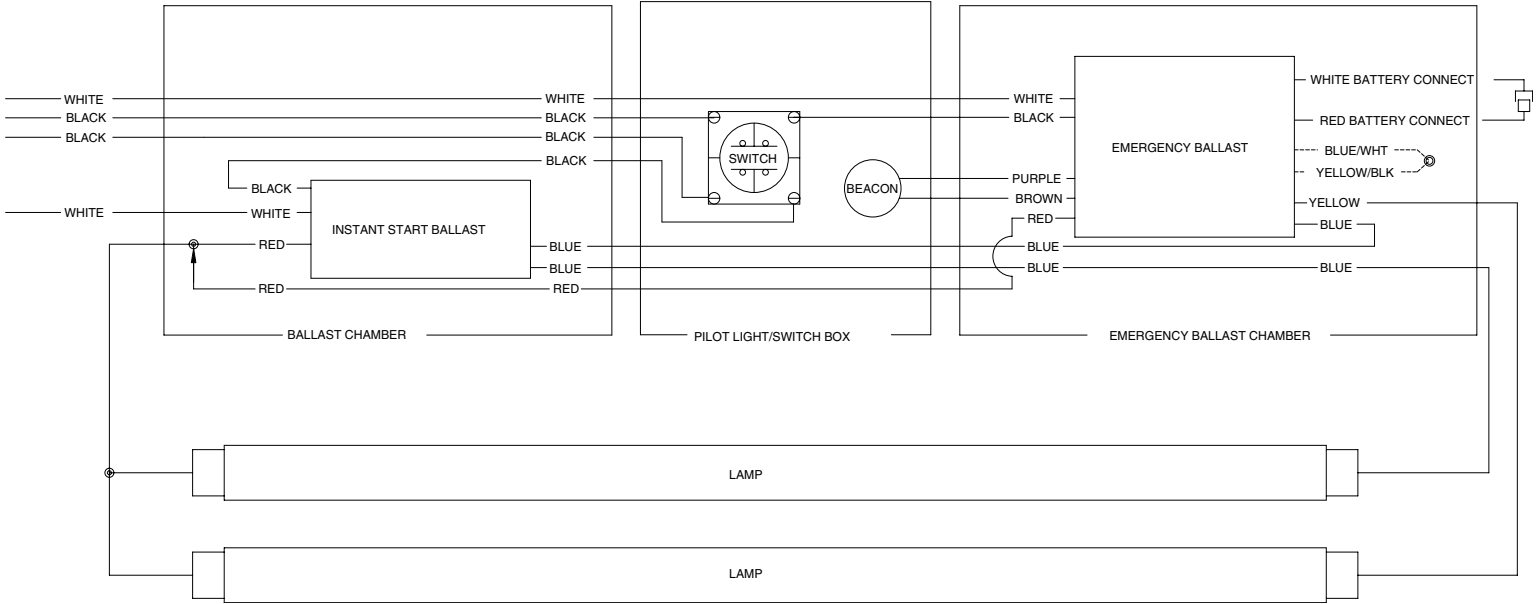
POLYCARBONATE SHIELD: 2 FT. P/N: 4464
4 FT. P/N: 4209

5. In the event of PYREX glass tube breakage, it will be necessary to replace the damaged unit with the factory sealed housing assembly, in order to maintain the integrity of the fixture. See the fixture parts list for ordering.

6. When replacing Ballast, it would be of Class-P, thermally-protected type.

BALLAST WIRING SCHEMATICS

INSTANT START WIRING SCHEMATIC



RAPID START WIRING SCHEMATIC

