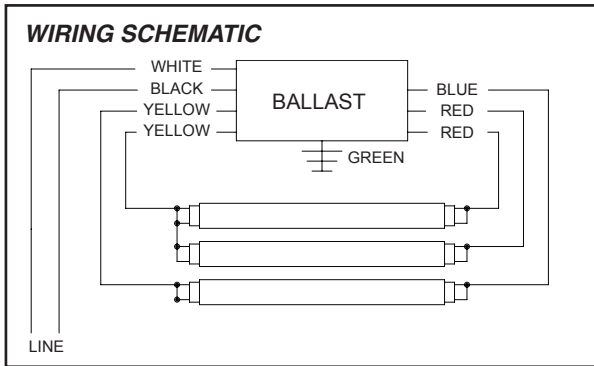


# ••• INSTALLATION INSTRUCTIONS FOR 2 FT. REAR ACCESS T-8 231 SERIES LIGHT FIXTURE •••

Package Contents: (1) Light, and Installation Instructions.

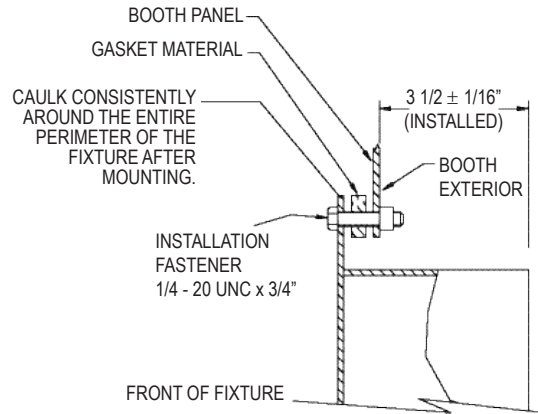
**\*For Retro Fit Mounting:** Lay out hole cut-out panel 10-3/4" in. wide X 26-1/4" long.

Check for proper clearances around hole cut-out and on back side of panel. Cut mounting hole in panel.

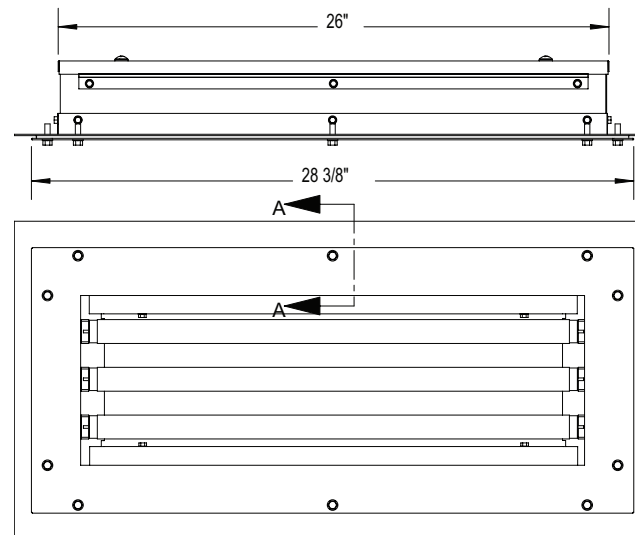
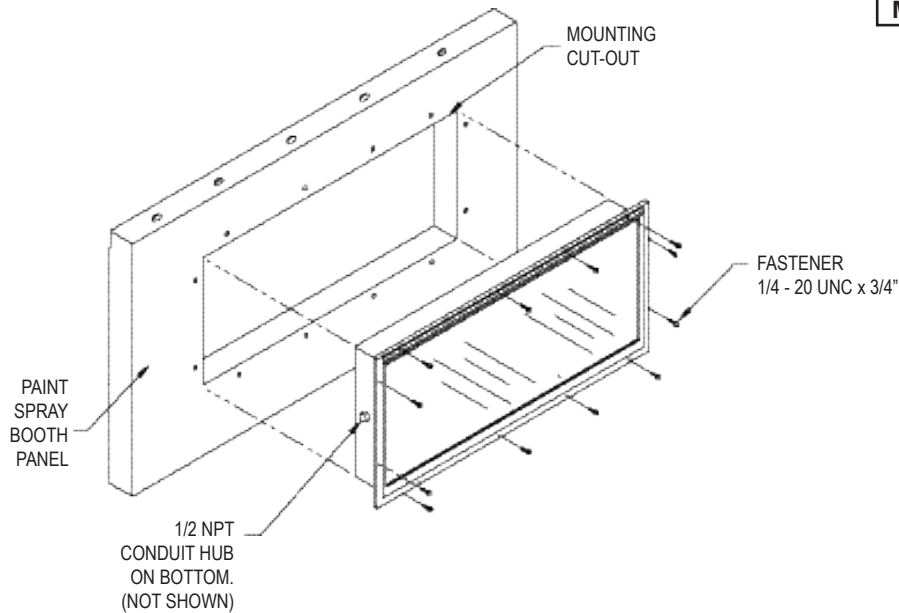
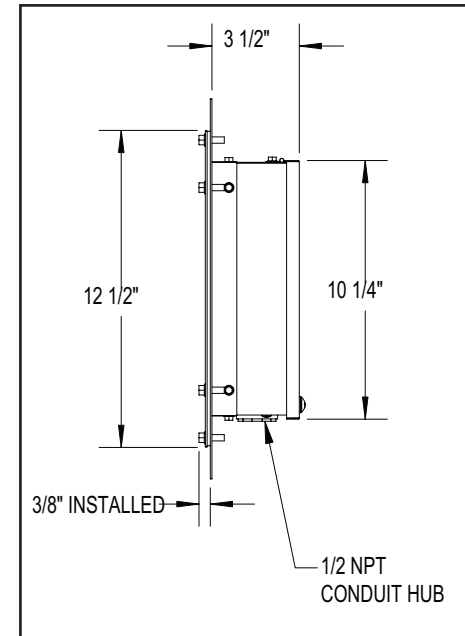


**NOTE:** REFER TO DIAGRAM ON BALLAST WITH SPECIFIC WIRING DETAILS.

## FEATURES REAR ACCESS HOUSING.



## MOUNTING DETAIL



**NOTE:** LIGHT FIXTURE'S GLASS FRAME EXTENDS 3/8" INTO BOOTH WHEN MOUNTED IN BOOTH PANEL.

