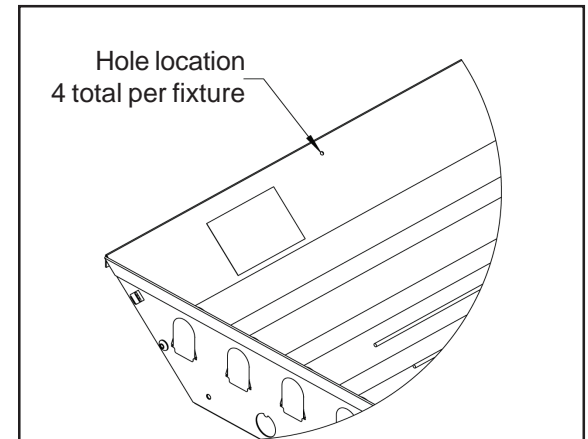
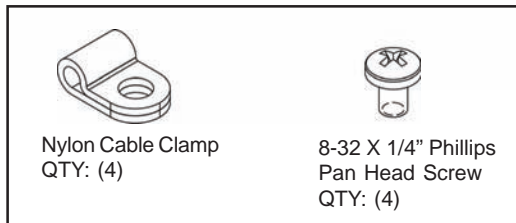
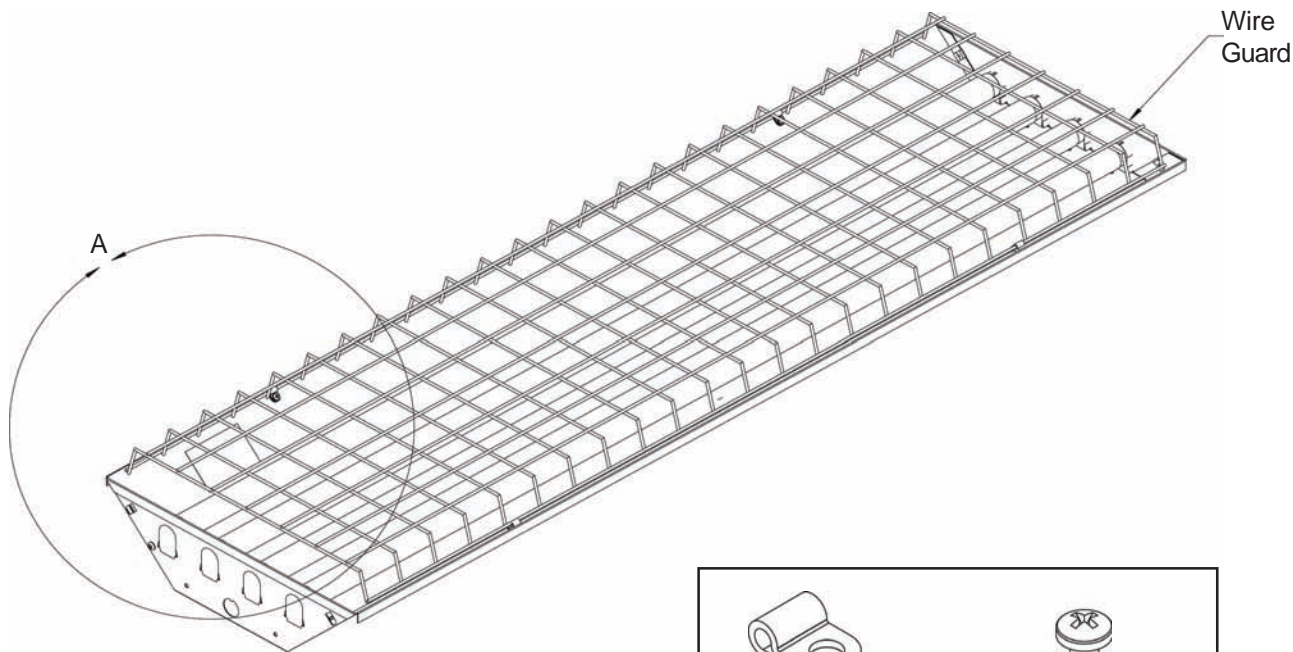


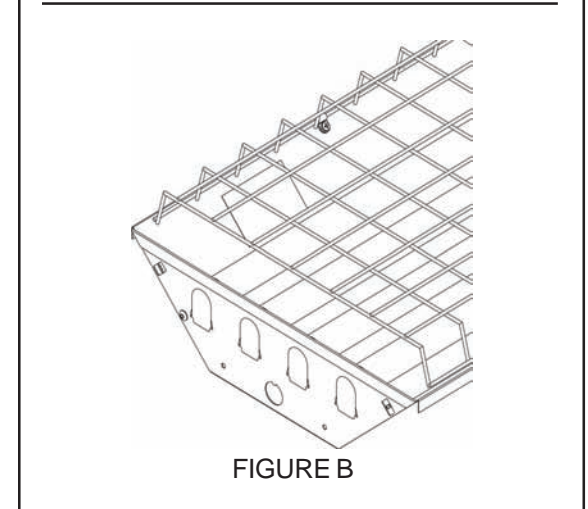
# WIRE GUARD ASSEMBLY INSTRUCTION SHEET FOR FIXTURE 390229I

## INSTRUCTIONS:

1. Locate wire guard (1), nylon cable clamp (4) and 8-32 X 1/4" Phillips pan head screws (4)
2. Locate the four wire guard mounting holes on the light fixture. (See figure A)
3. Assemble the nylon cable clamps onto the wire guard locating them on the 5th spacing from the ends.
4. Aline the holes on the (4) nylon cable clamps up with the holes on the light fixture (see figure B)
5. Insert the (4) 8-32 X 1/4" phillips pan head screws into the holes and tighten. (See figure B)



**FIGURE A**  
Figure A shown without screw,  
wire clamp and wire guard



**FIGURE B**