



INSTALLATION AND ASSEMBLY INSTRUCTIONS

236 HIGH BAY FLUORESCENT LIGHTING FIXTURES

WARNING!

1. TO PREVENT THE RISK OF ELECTRICAL SHOCK DEACTIVATE/DISCONNECT THE POWER SUPPLY BEFORE INSTALLING OR RELAMPING FIXTURE.
2. THIS FIXTURE SHOULD BE INSTALLED BY QUALIFIED TECHNICIANS IN STRICT ACCORDANCE WITH THE NATIONAL ELECTRICAL CODE AND ANY LOCAL REQUIREMENTS.
3. MIN 90° C SUPPLY CONDUCTORS

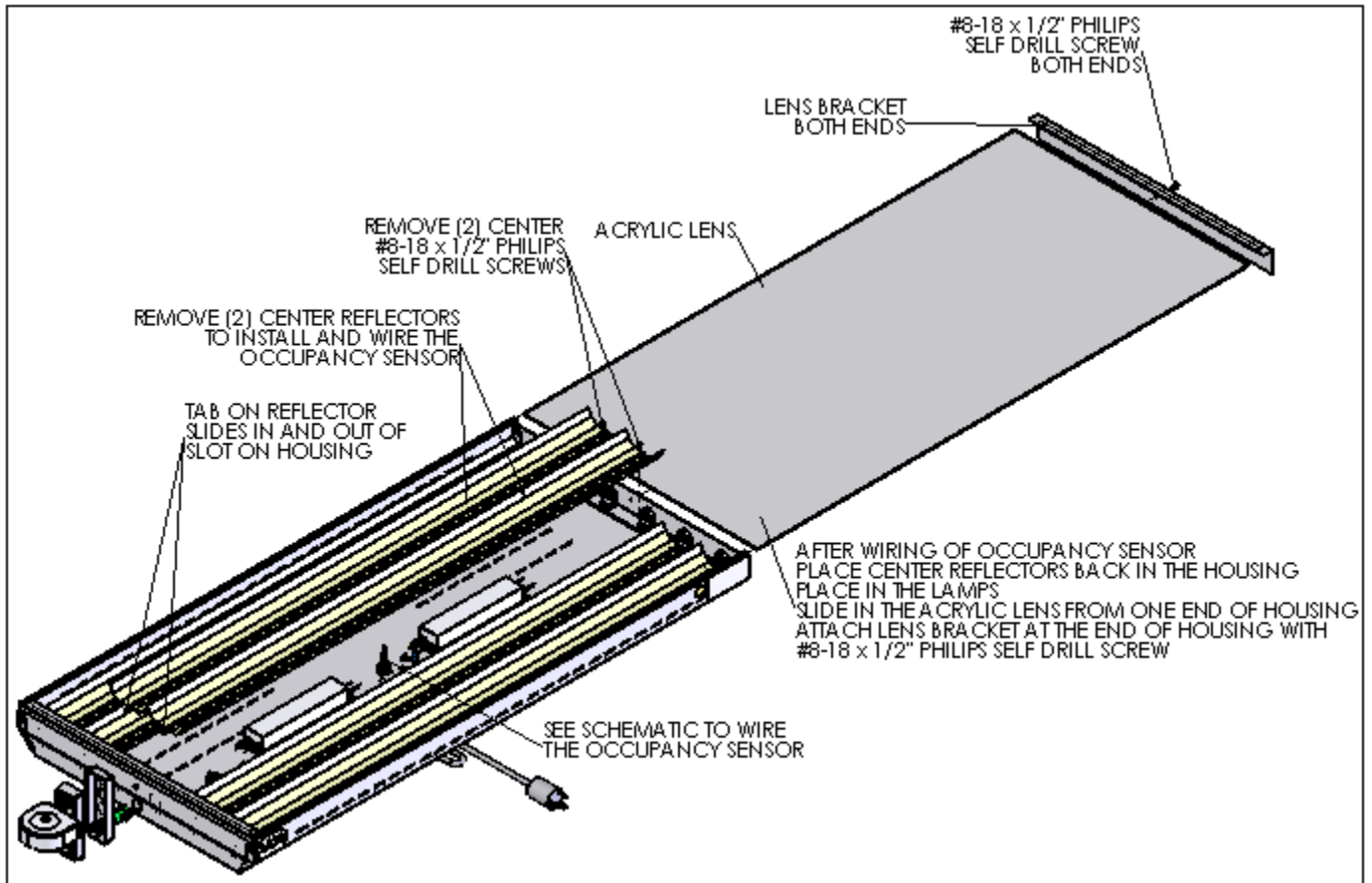
INSTALLATION

1. BEFORE INSTALLING, MAKE SURE THAT THE CIRCUIT IS DEACTIVATED.
2. THIS FIXTURE REQUIRES SOME FINAL ASSEMBLY, SEE ASSEMBLY LAYOUT.
3. THE BALLAST IN THIS FIXTURE IS DESIGNED TO OPERATE ON GROUNDED NEUTRAL SYSTEMS ONLY.

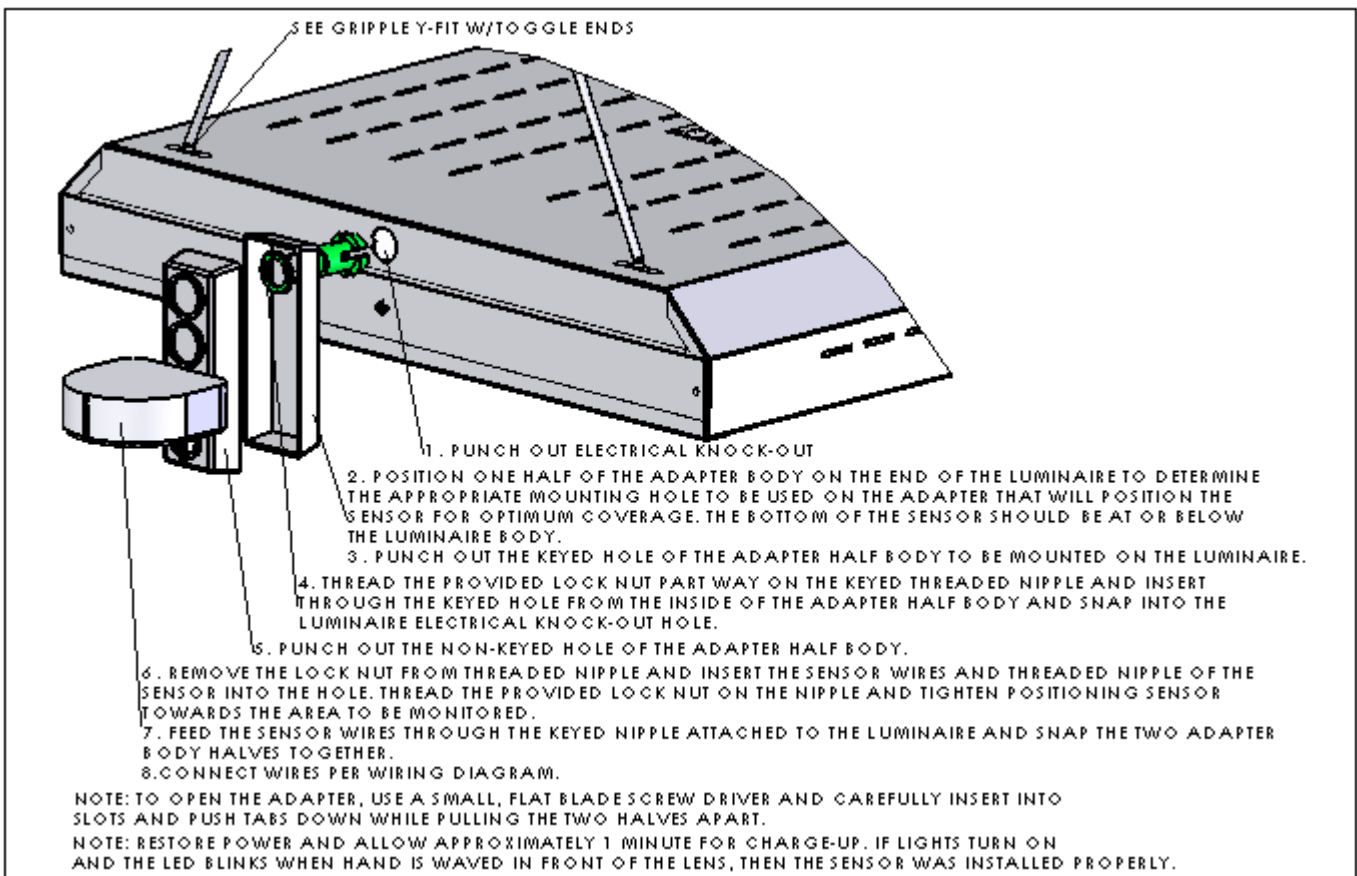


LDPI, Inc.
Eau Claire, WI 54703
TOLL FREE
1-800-854-0021
Web: www.ldpi-inc.com
E-mail: sales@ldpi-inc.com

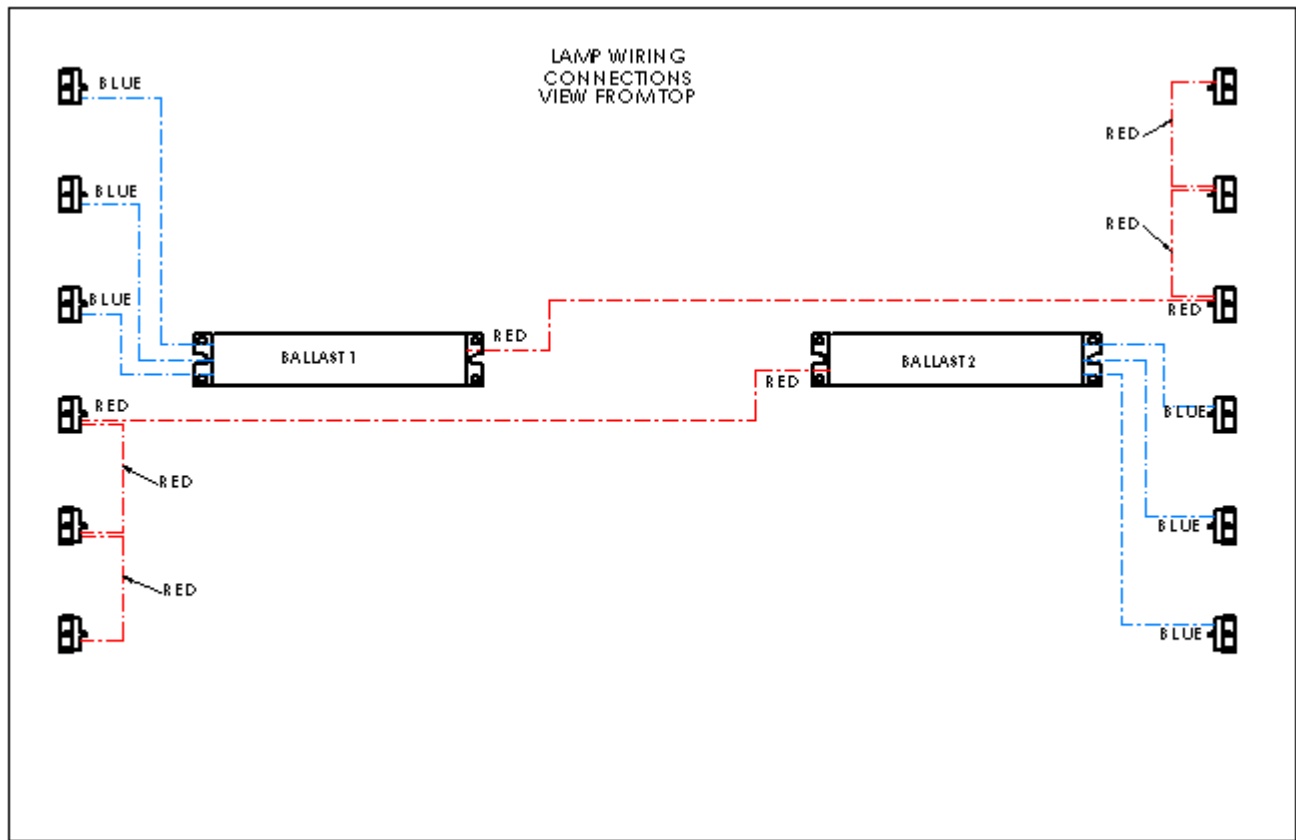
ACCESS TO BALLAST



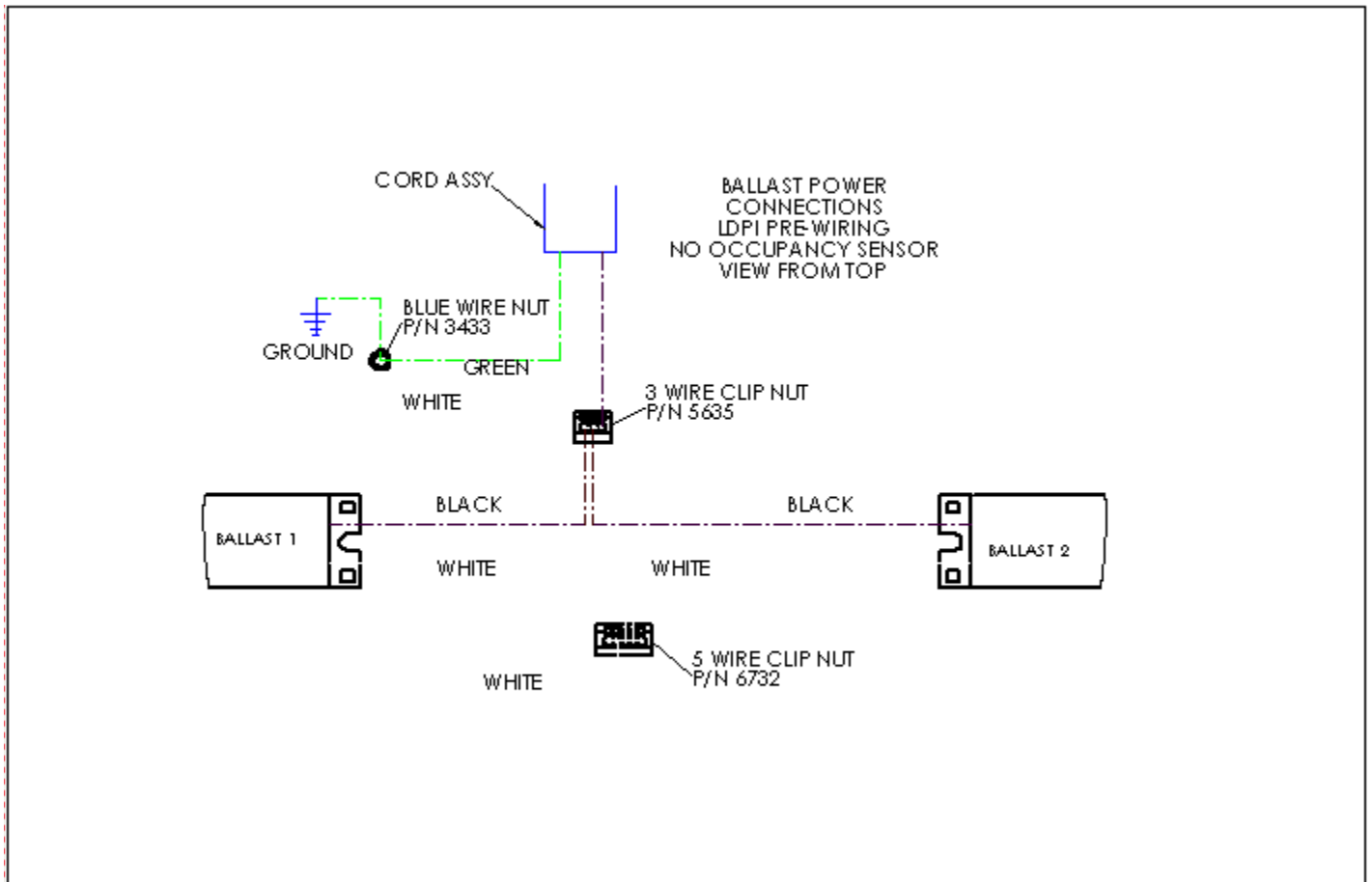
OPTIONAL SENSOR ASSEMBLY



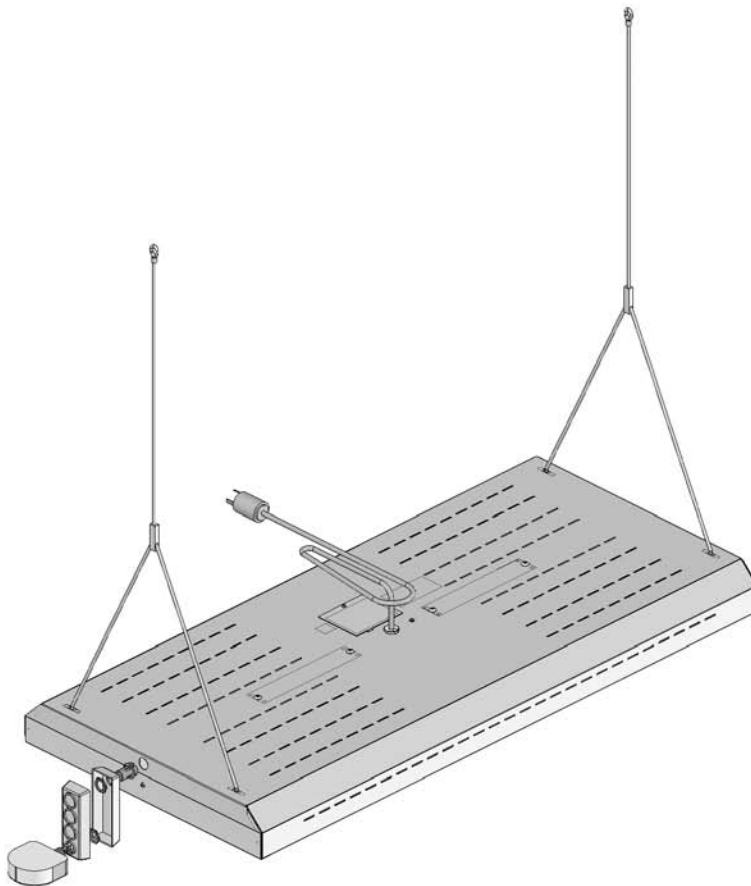
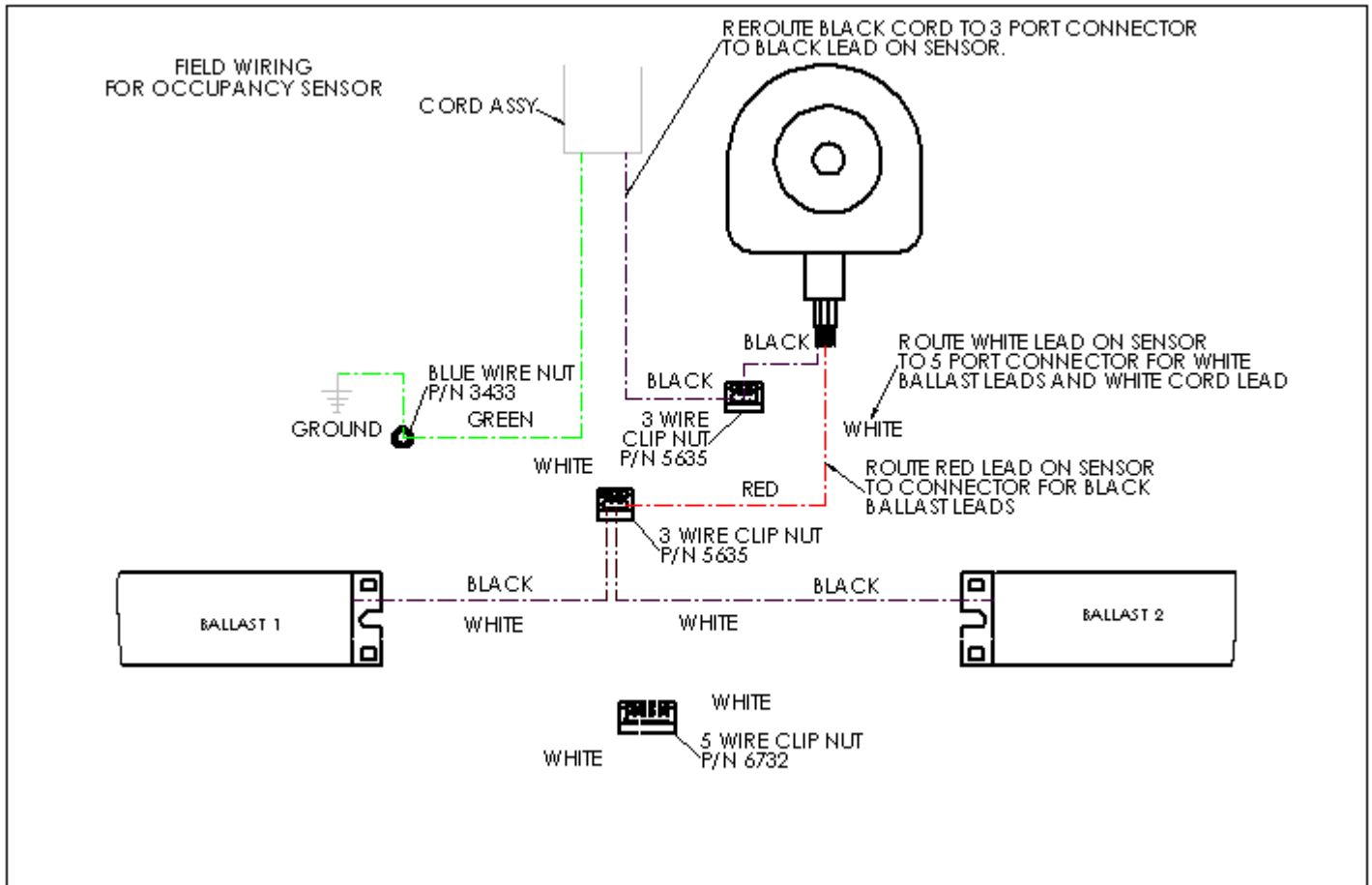
LAMP WIRING



CORD ASSEMBLY



OPTIONAL SENSOR COMPLETE WIRING



LDPI, Inc.
 Eau Claire, WI 54703
 TOLL FREE
 1-800-854-0021
 Web: www.ldpi-inc.com
 E-mail: sales@ldpi-inc.com