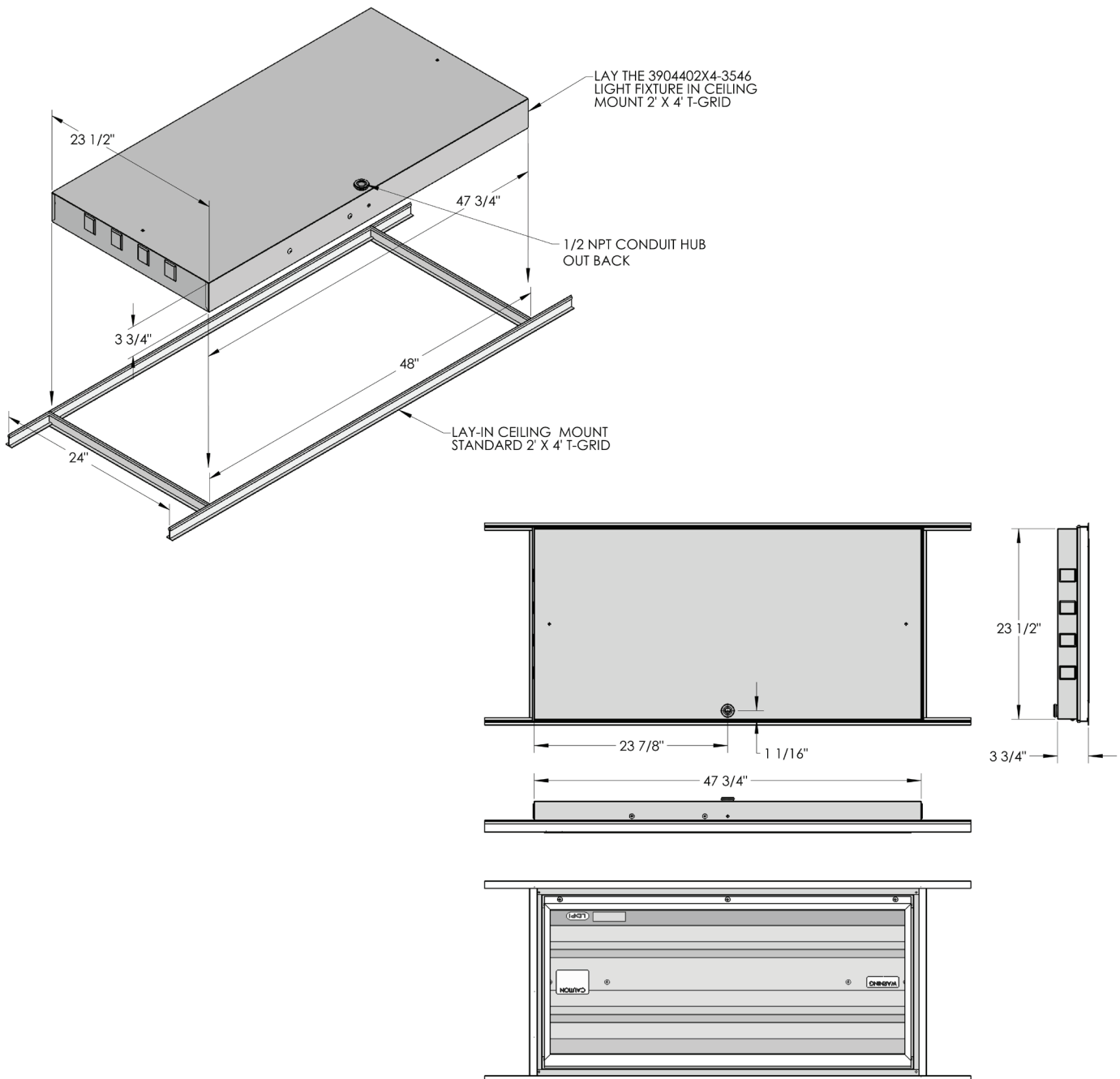


INSTALLATION INSTRUCTIONS FOR 4 FT. FRONT / INSIDE ACCESS, 265 MA T-8 440 2X4 TROFFER SERIES FLUORESCENT LIGHT FIXTURES FOR CLEAN ROOMS

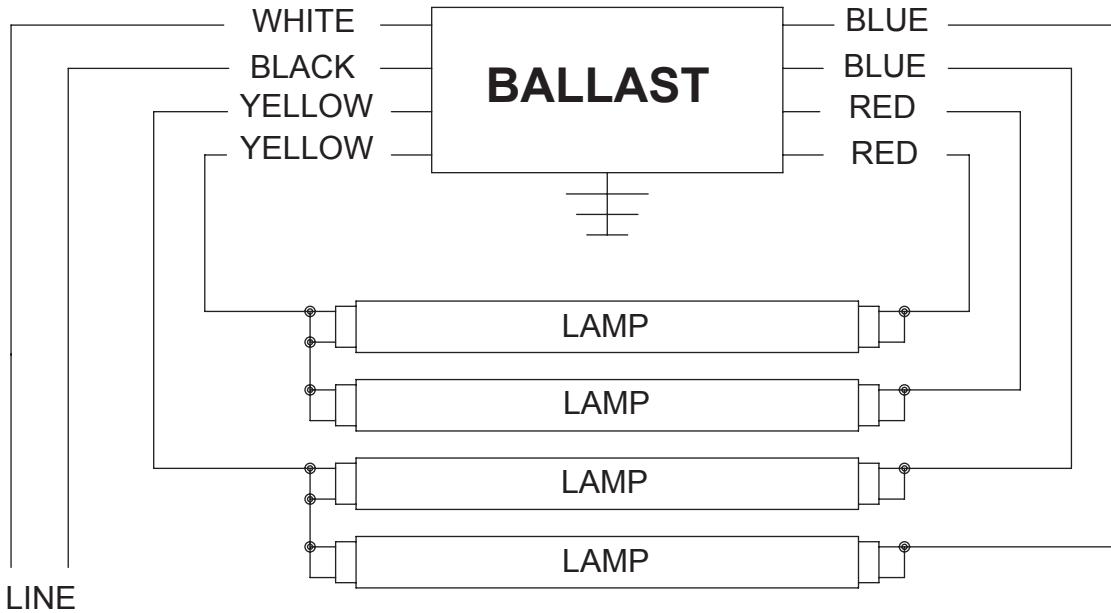
1. Install light fixture into Standard 2 ft. x 4 ft. ceiling mount T-Grid. Mount light fixture by laying it in the 2 ft. x 4 ft. opening of the T-Grid ceiling. No fasteners are required; fixture simply sits on the flange of the T-Grid.

NOTE: If ceiling grid is 2 ft. x 2 ft., remove one T-Grid to make it a 2 ft. by 4 ft. opening.
2. Installation of light fixture into ceiling mount T-Grid is now complete.

NOTE: When installing lamp -- fixtures are rated for T-8 lamps only.
3. This fixture should be installed by qualified technicians in strict accordance with the National Electrical Code and any local requirements.
4. Wire fixture through conduit hub according to schematic on back of ballast.



WIRING SCHEMATIC FOR: 4 FT. 4 LAMP T8 LIGHT FIXTURE



NOTE: REFER TO DIAGRAM ON BALLAST WITH SPECIFIC WIRING DETAILS

THIS FIXTURE SHOULD BE INSTALLED BY QUALIFIED
TECHNICIANS IN STRICT ACCORDANCE WITH THE NATIONAL
ELECTRIC CODE AND ANY LOCAL REQUIREMENTS.