



INSTALLATION AND ASSEMBLY INSTRUCTIONS

236 HIGH BAY FLUORESCENT LIGHTING FIXTURES

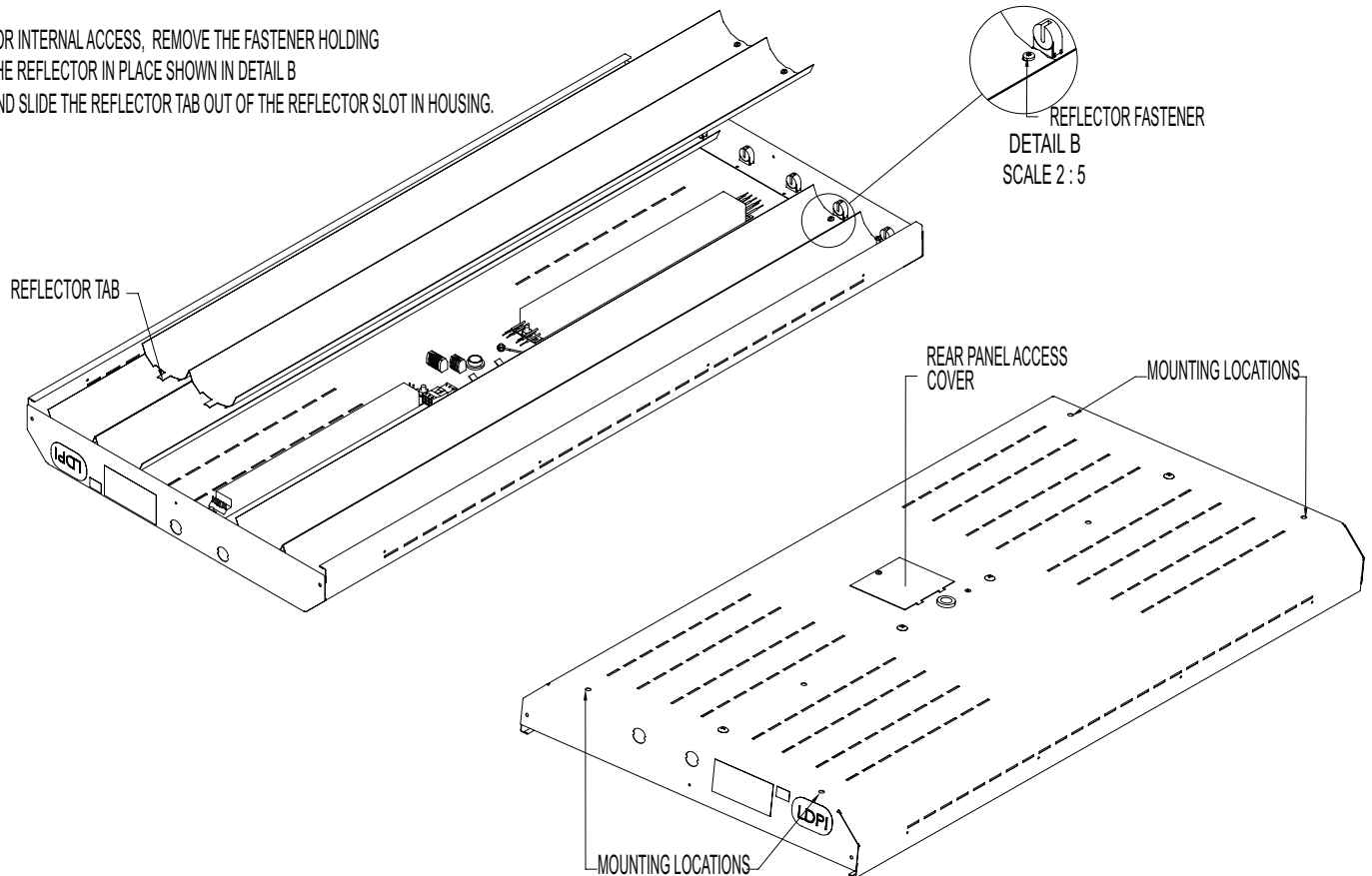
WARNING!

1. TO PREVENT THE RISK OF ELECTRICAL SHOCK DEACTIVATE/DISCONNECT THE POWER SUPPLY BEFORE INSTALLING OR RELAMPING FIXTURE.
2. THIS FIXTURE SHOULD BE INSTALLED BY QUALIFIED TECHNICIANS IN STRICT ACCORDANCE WITH THE NATIONAL ELECTRICAL CODE AND ANY LOCAL REQUIREMENTS.
3. MIN 90° C SUPPLY CONDUCTORS



INTERNAL ACCESS

FOR INTERNAL ACCESS, REMOVE THE FASTENER HOLDING THE REFLECTOR IN PLACE SHOWN IN DETAIL B AND SLIDE THE REFLECTOR TAB OUT OF THE REFLECTOR SLOT IN HOUSING.

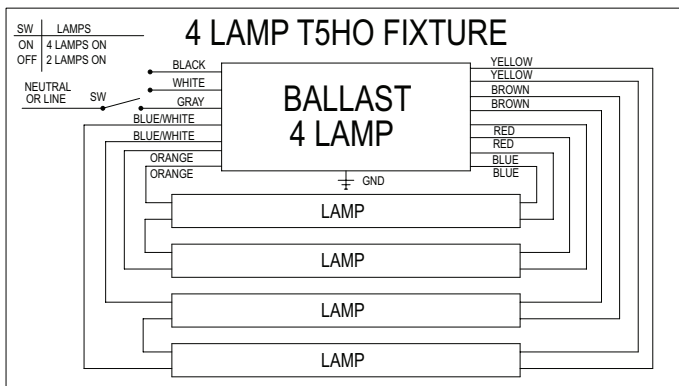
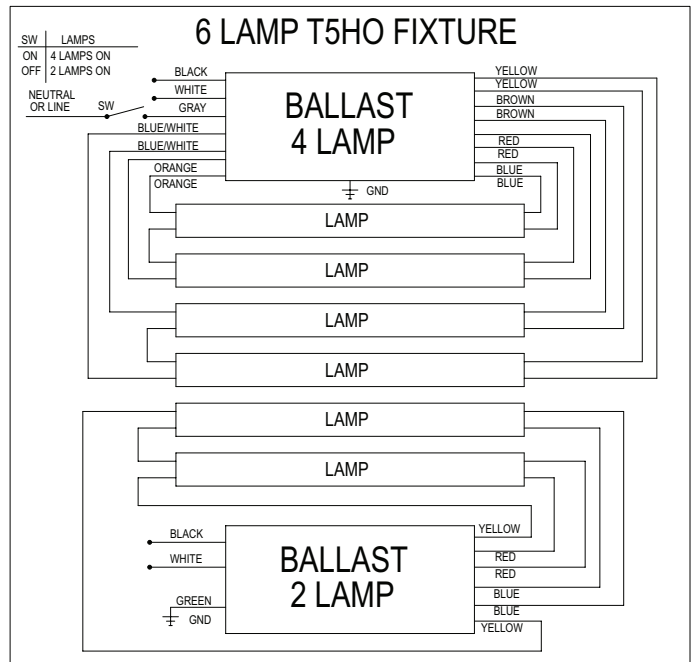
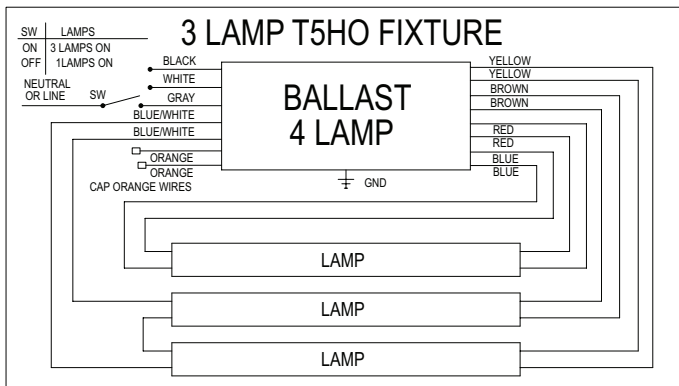
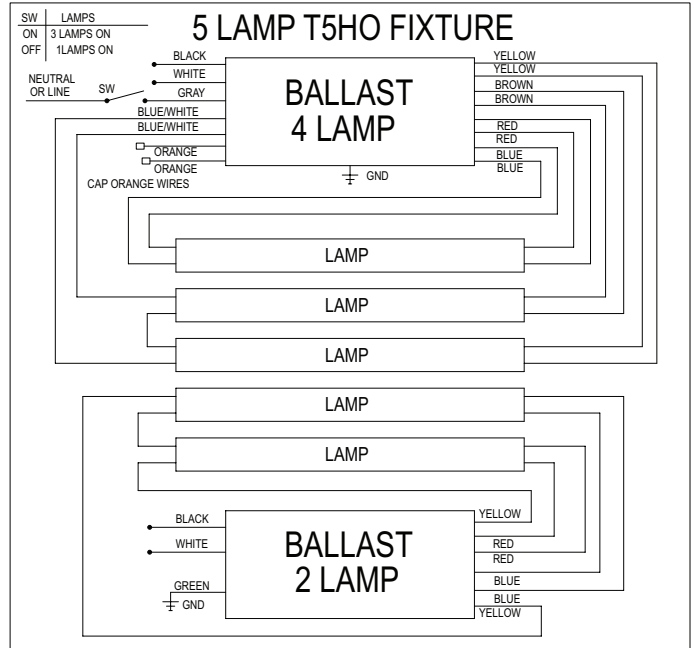
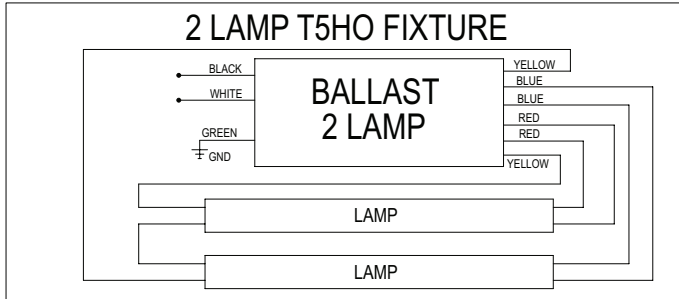


WIRING SCHEMATIC

NOTE: REFER TO DIAGRAM ON BALLAST WITH SPECIFIC WIRING DETAILS

THIS FIXTURE SHOULD BE INSTALLED BY QUALIFIED TECHNICIANS IN STRICT ACCORDANCE WITH THE NATIONAL ELECTRIC CODE AND ANY LOCAL REQUIREMENTS.

PROGRAMMED START BALLASTS

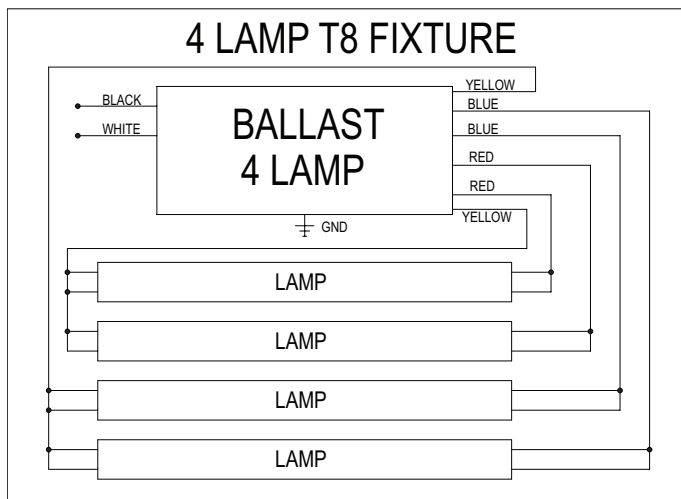
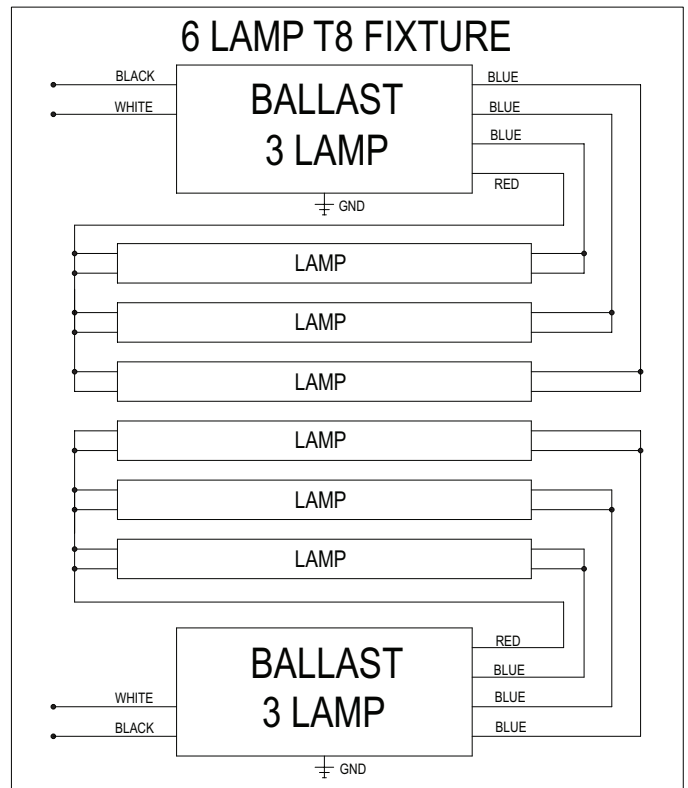
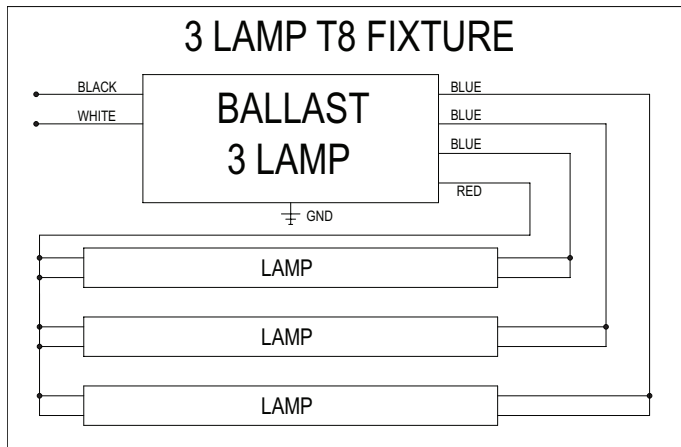
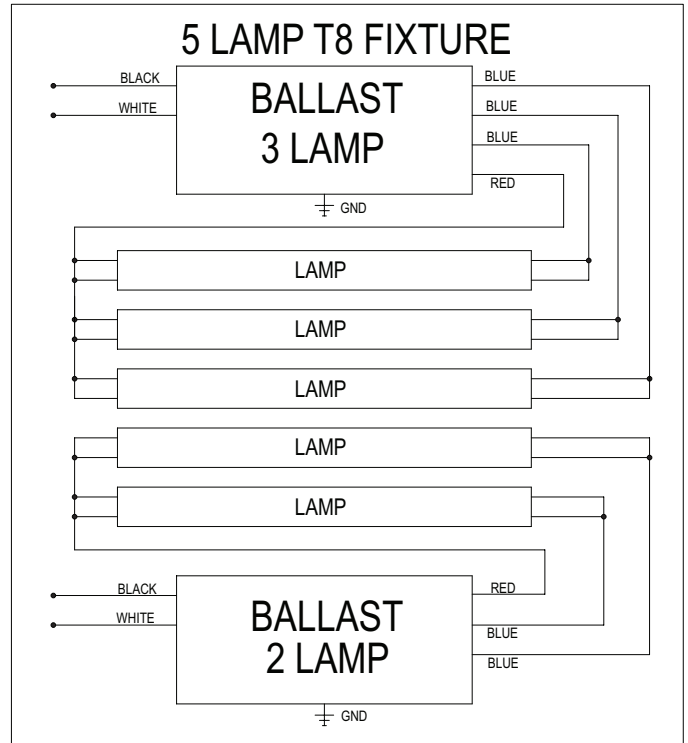
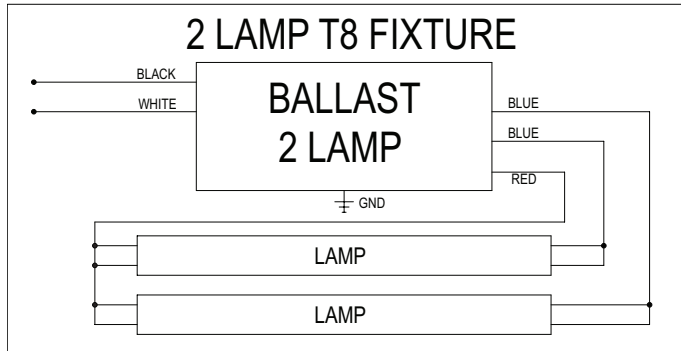


WIRING SCHEMATIC

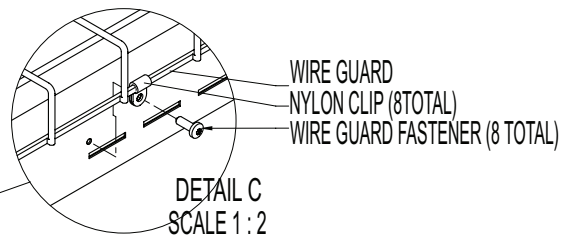
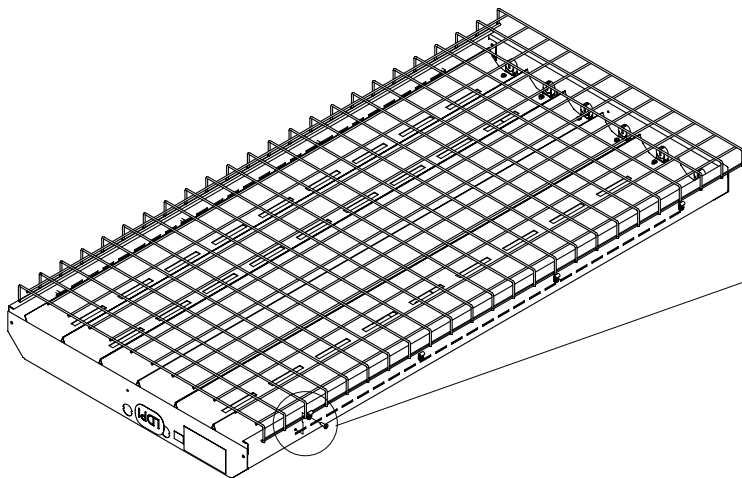
NOTE: REFER TO DIAGRAM ON BALLAST WITH SPECIFIC WIRING DETAILS

THIS FIXTURE SHOULD BE INSTALLED BY QUALIFIED TECHNICIANS IN STRICT ACCORDANCE WITH THE NATIONAL ELECTRIC CODE AND ANY LOCAL REQUIREMENTS.

INSTANT START BALLASTS



OPTIONAL WIRE GUARD

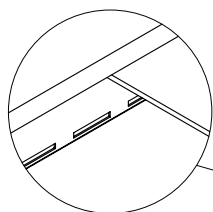


WIRE GUARD
NYLON CLIP (8 TOTAL)
WIRE GUARD FASTENER (8 TOTAL)

DETAIL C
SCALE 1:2

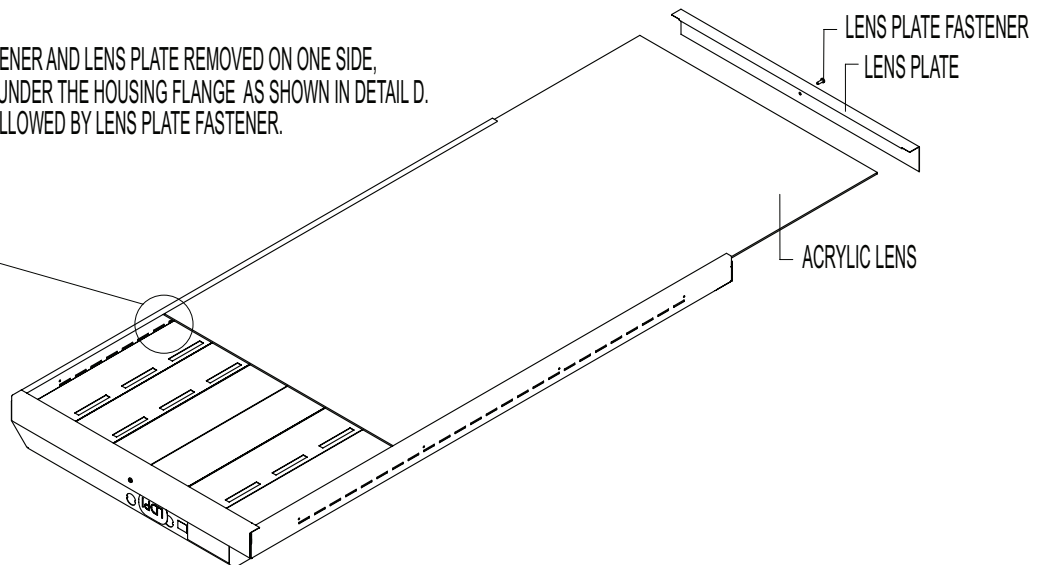
POSITION WIRE GUARD OVER HOUSING.
SLIP NYLON CLIPS OVER THE BOTTOM RAIL OF THE WIRE GUARD (FLAT SIDE FACING HOUSING) AND SECURELY FASTEN THE WIRE GUARD AND CLIPS WITH THE SUPPLIED FASTENERS TO THE HOUSING AS SHOWN IN DETAIL C.

OPTIONAL ACRYLIC LENS



DETAIL D
SCALE 1:2

WITH THE LENS PLATE FASTENER AND LENS PLATE REMOVED ON ONE SIDE, SLIDE THE ACRYLIC LENS UNDER THE HOUSING FLANGE AS SHOWN IN DETAIL D. RE-INSERT LENS PLATE FOLLOWED BY LENS PLATE FASTENER.



LENS PLATE FASTENER
LENS PLATE

ACRYLIC LENS



LDPI, Inc.
Eau Claire, WI 54703
TOLL FREE
1-800-854-0021
Web: www.ldpi-inc.com
E-mail: sales@ldpi-inc.com