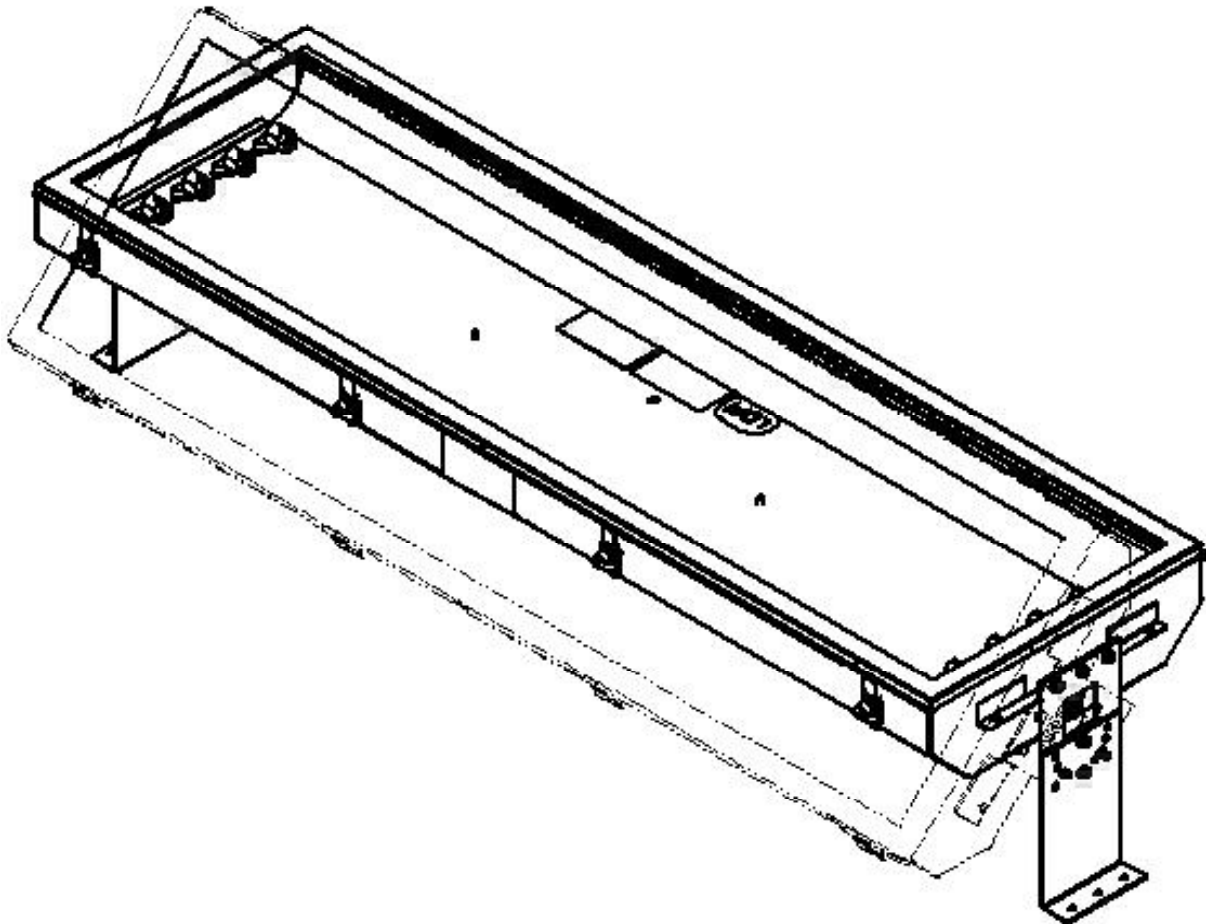


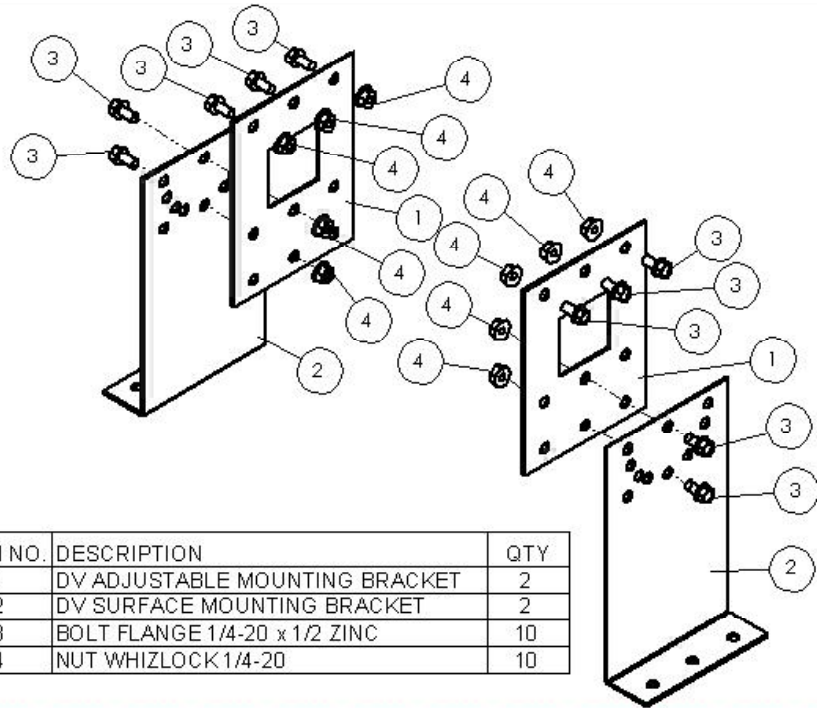


# ADJUSTABLE SURFACE MOUNTING BRACKET KIT

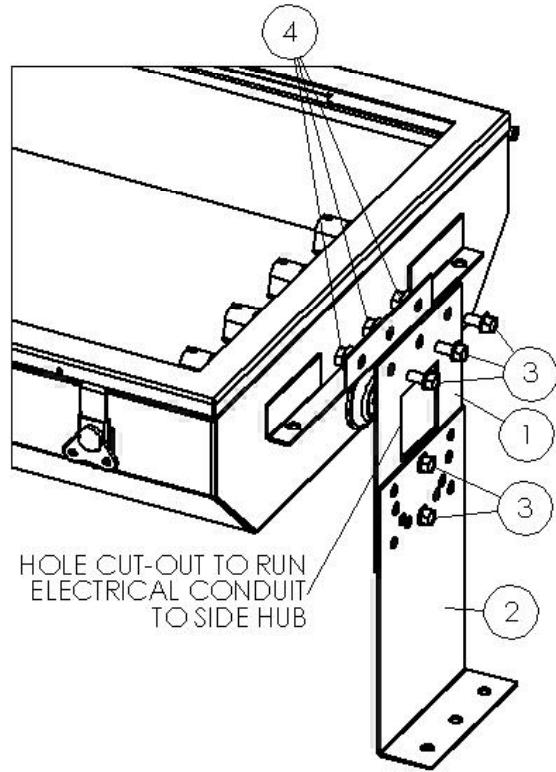
## 240 FRONT ACCESS FLUORESCENT LIGHTING FIXTURES

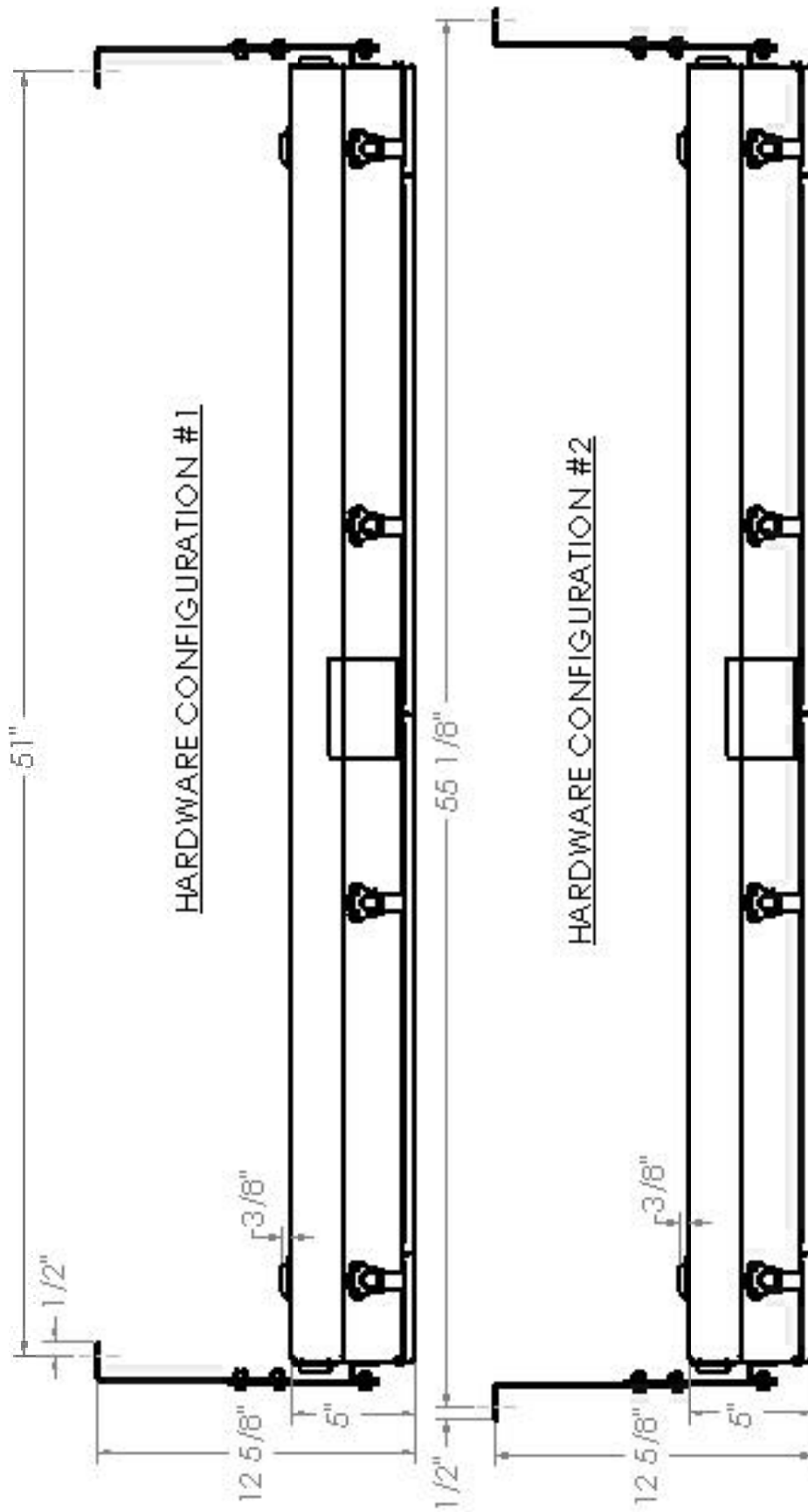
PART NUMBER: (6856 GALVANIZED) AND (6856SS FOR STAINLESS STEEL)  
BRACKET ATTACHMENT POINT FOR OPTIONAL MOUNTING METHODS.  
THERE IS A NUMBER OF MOUNTING METHODS THAT ARE NOT SHOWN.



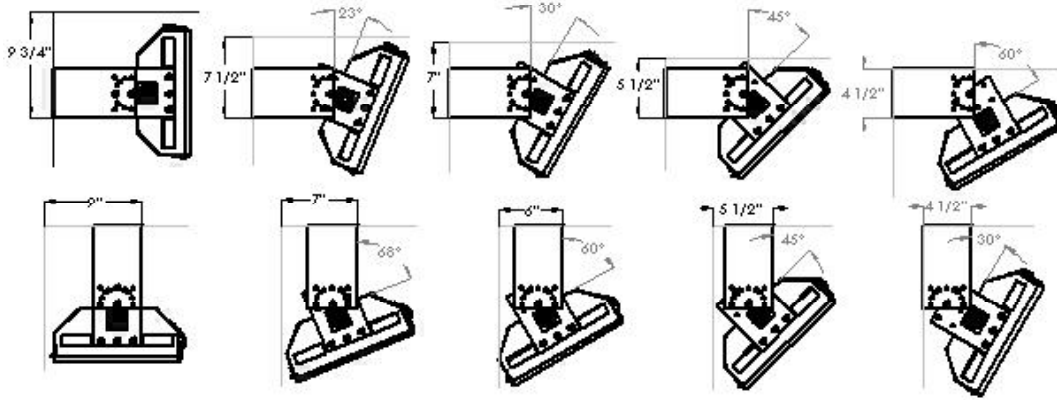


ITEM NO.	DESCRIPTION	QTY
1	DV ADJUSTABLE MOUNTING BRACKET	2
2	DV SURFACE MOUNTING BRACKET	2
3	BOLT FLANGE 1/4-20 x 1/2 ZINC	10
4	NUT WHIZLOCK 1/4-20	10

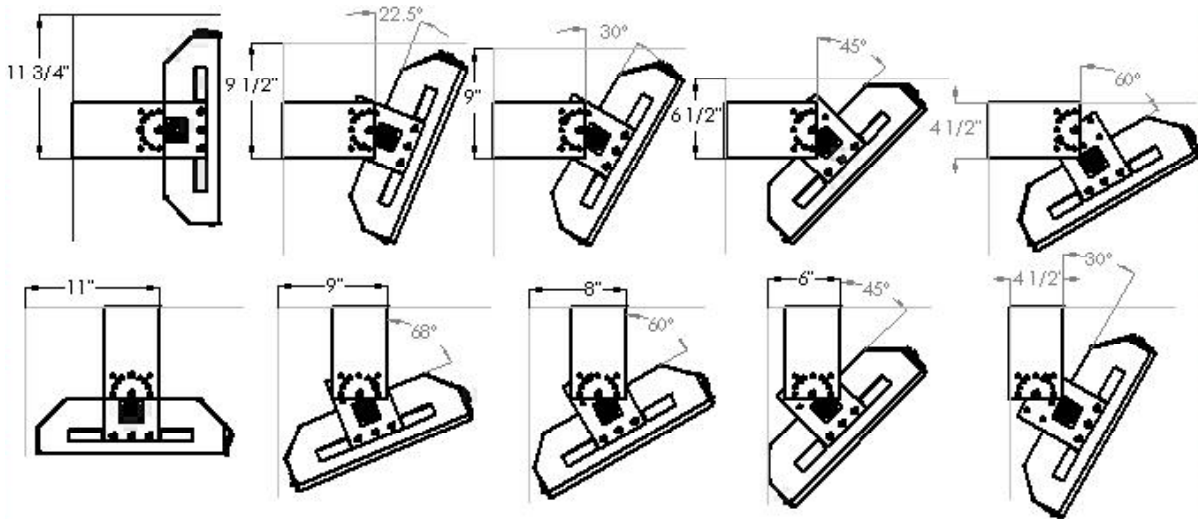




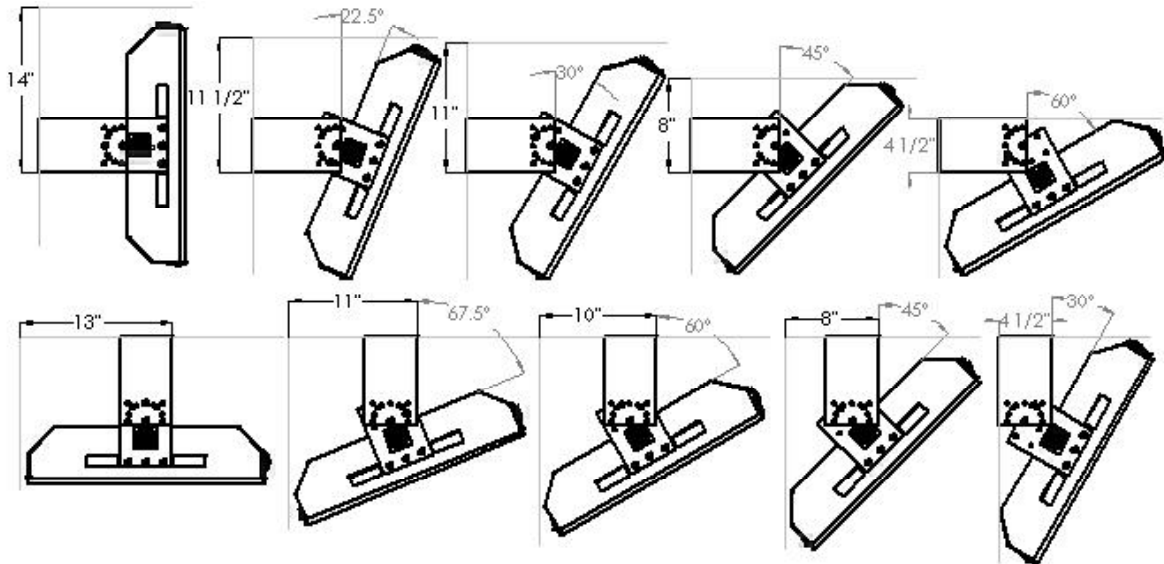
## 2 LAMP



## 4 LAMP



## 6 LAMP



LDPI, Inc.  
Eau Claire, WI 54703  
TOLL FREE  
1-800-854-0021  
Web: [www.ldpi-inc.com](http://www.ldpi-inc.com)  
E-mail: [sales@ldpi-inc.com](mailto:sales@ldpi-inc.com)