

LED DOCK ASSEMBLIES

LOADING DOCK & TASK LIGHTING

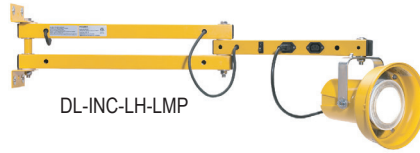
Trailer/Cargo Docks • Refineries • Chemical Plants • Explosion Proof Environments

Complete Dock Light Assemblies

The all-in-one design of the complete series stands ready for general purpose, wet location, and explosion proof environments. These versatile dock/task lights designed for use in chemical plants, drilling rigs, refineries and any other locations where wet and hazardous chemicals and gases may exist. Constructed of rugged materials and built to withstand the occasional accidental impact, these fixtures are out-of-the-box ready to illuminate your work area.



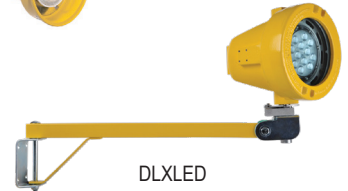
DLAW2-12LED



DL-INC-LH-LMP



DL-FLEX-120



DLXLED

Location	Item #	Arm Length	Source	CCT	Voltage
Explosion Proof	DLXLED-FL	26in. (Rigid)	39W / 2823Lm / 45° Optic (Flood)	5,100K	120-277V, 50-60Hz
	DLXLED-SP		39W / 2886Lm / 28° Optic (Spot)		
Wet	DLA2-12LED/DLSD-40-ARM-DS	40in. (Rigid)	9W / 1,200Lm / 25° Square Beam Angle	4,000K	120V, 60Hz
	DLAW2-12LED-SP-42-120	42in. (Rigid)	9W / 1,200Lm / 25° Spot Optic		
	DLAW2-12LED-FL-42-120		9W / 1,200Lm / 50° Flood Optic		
	DLAW2-12LED-SP-60-120	60in. (Rigid)	9W / 1,200Lm / 25° Spot Optic		
	DLAW2-12LED-FL-60-120		9W / 1,200Lm / 50° Flood Optic		
	DLA2-12LED/DLSD-60-ARM-DS		9W / 1,200Lm / 25° Square Beam Angle		
General	DL-FLEX-120	38.5in. (Flexible)	10W / 1100Lm / 20° Beam	4,000K	100-277VAC 120VAC
	DL-INC-LH-LMP/DLSD-40-ARM-DS	40in. (Rigid)	18W, PAR 38 LED lamp Spring-loaded socket assembly		120V, 60Hz
	DL-INC-LH-LMP/DLSD-60-ARM-DS	60in. (Rigid)	18W, PAR 38 LED lamp Spring-loaded socket assembly		

DLXLED

CERTIFICATIONS

UL844 / CSA-C22.2 No.137 (Hazardous)
 CI D1, Grps C,D
 CI D2, Grps A,B,C,D
 CII D1, Grps F,G
 CII D2, Grps F,G
 CIII D1, D2
 T-Code: T6
 UL1598 / CSA-C22.2 No.250
 UL1598A (Marine Outside)
 Lumen Maintenance (L70) >50,000 hrs (reported)
 -20°C to 40°C Ambient
 NEMA 4X

CONSTRUCTION

Copper-free cast aluminum shell and cover
 1.5" Square steel tubing (Arm)
 3/4" Tempered glass lens
 Powder coat safety yellow
 Zinc plated steel yoke mount (Light head)
 Weight: 28 lbs.

ELECTRICAL

120-277VAC (50/60Hz)
 Over-voltage, over-current, and short-circuit protection
 6Ft. wire

FEATURES

3 Year Warranty
 180° horizontal swing
 Head rotates 230° horizontally and up to 74° vertically

DLAW2-12LED

CERTIFICATIONS

UL1598 / CSA-C22.2 No.250 (Wet Locations)
 Lumen Maintenance (L70) >50,000 hrs (reported)
 -18°C to 50°C Ambient (NS Option)
 +5°C to 50°C Ambient (Standard)
 CRI>70
 IK10 (fixture head)

CONSTRUCTION

Marine-grade, low-copper-aluminum housing
 1.5" Square steel tubing (Arm)
 Clear polycarbonate lens
 Powder coat safety yellow
 Zinc plated steel bracket
 Stainless steel hardware (light head)
 Weights: 30 lbs. (42in. arm) / 36 lbs. (60in. arm)

ELECTRICAL

120VAC (60Hz)
 3 conductor, grounded cord from head to wall with weather tight fittings

FEATURES

5 Year Warranty
 180° horizontal swing
 Head rotates 230° horizontally and up to 74° vertically

OPTIONS

No switch on junction box (#NS)
 Ex: DLAW2-12LED-SP-42-NS

DL-FLEX-120

CERTIFICATIONS

UL1598 / CSA-C22.2 No.250 (Damp Locations)
 CE
 Lumen Maintenance (L70) >50,000 hrs (reported)
 -40°C to 40°C Ambient
 CRI>70
 IK08

CONSTRUCTION

Thermally conductive plastic housing
 Flexible tubing (arm)
 Clear polycarbonate, impact resistant lens
 Safety yellow (Light head)
 304 Stainless steel hardware
 3x5in. Zinc plated steel mounting bracket
 Weights: 7 lbs.

ELECTRICAL

100-277VAC (6ft. pigtail standard)
 120VAC only (6ft. cord w/ NEMA 5-15 plug standard)
 Bi-level dimming standard

FEATURES

3 Year Warranty

(DLA2, DL-INC-LH Certifications - See Page 2)



1-800-854-0021 www.ldpi-inc.com
 LDPI® is a registered trademark of LDPI, Inc. © LDPI, Inc.

Product design and specifications subject to change without notice.
 Visit www.ldpi-inc.com for the most current version and photometric data. v.05.02.24

LED DOCK ASSEMBLIES

LOADING DOCK & TASK LIGHTING

Trailer/Cargo Docks • Refineries • Chemical Plants • Explosion Proof Environments



DLA2-12LED

CERTIFICATIONS

ETL/cETL
 CSA-C22.2 No.250-08 (Wet Locations)
 Lumen Maintenance (L70) >50,000 hrs. (reported)
 -40°C to 50°C Ambient
 IK10
 CE

CONSTRUCTION

Cast aluminum housing
 Impact resistant clear polycarbonate lens
 Safety yellow powder coat finish
 Stainless steel yoke mounting bracket
 Stainless steel hardware
 Weight: 2.7 lbs.

ELECTRICAL

120VAC, 60Hz
 Input current (Amps): 0.13
 Recessed 3-prong IEC type (C-14) plug (standard)
 22in. cord (standard)

FEATURES

Mounting: Yoke Bracket (.50" clearance hole)
 20° Square LED beam angle
 5 Year Warranty

DL-INC-LH

CERTIFICATIONS

ETL/cETL
 CSA-C22.2 No.250 (Damp Locations)
 Suitable for dry locations

CONSTRUCTION

High temperature polymer housing
 Safety yellow powder coat finish
 Zinc plated yoke mounting bracket
 Zinc plated steel hardware
 Weight: 6.0 lbs.

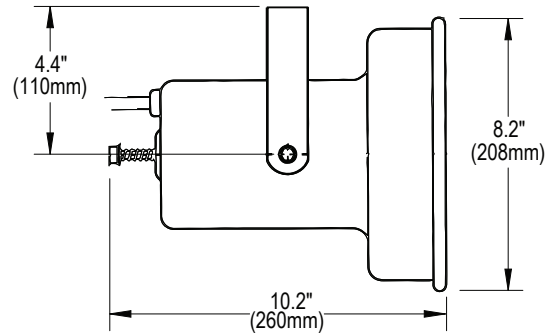
ELECTRICAL

120VAC
 3-prong IEC type (C-14) plug - standard
 Input current (Amps): 2.08 (at max. 250W)
 ~12in. cord

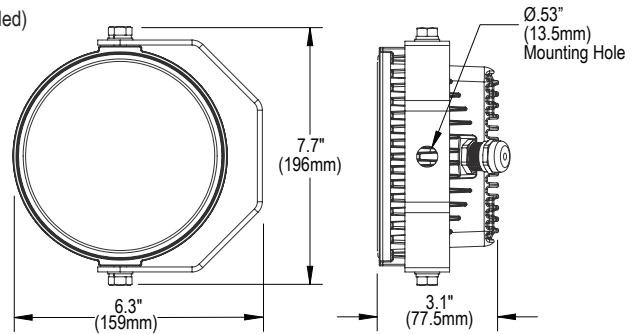
FEATURES

Mounting: Yoke Bracket
 Low cost
 Optional guards (order separately, field installed)
 Instant-on

DIMENSIONS (MODULAR HEADS)



DL-INC-LH

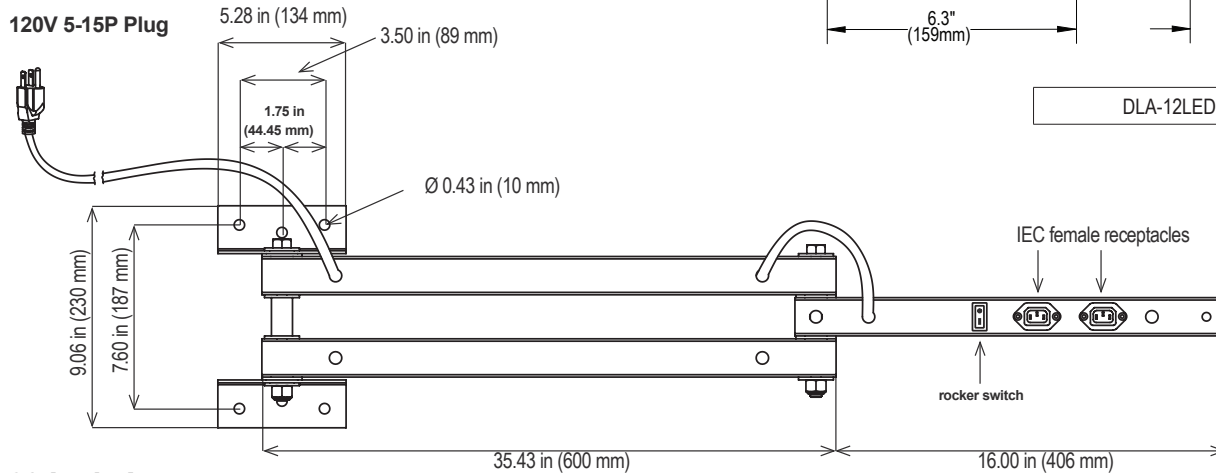


DLA2-12LED

DIMENSIONS (DLA2 / DL-INC-LH)

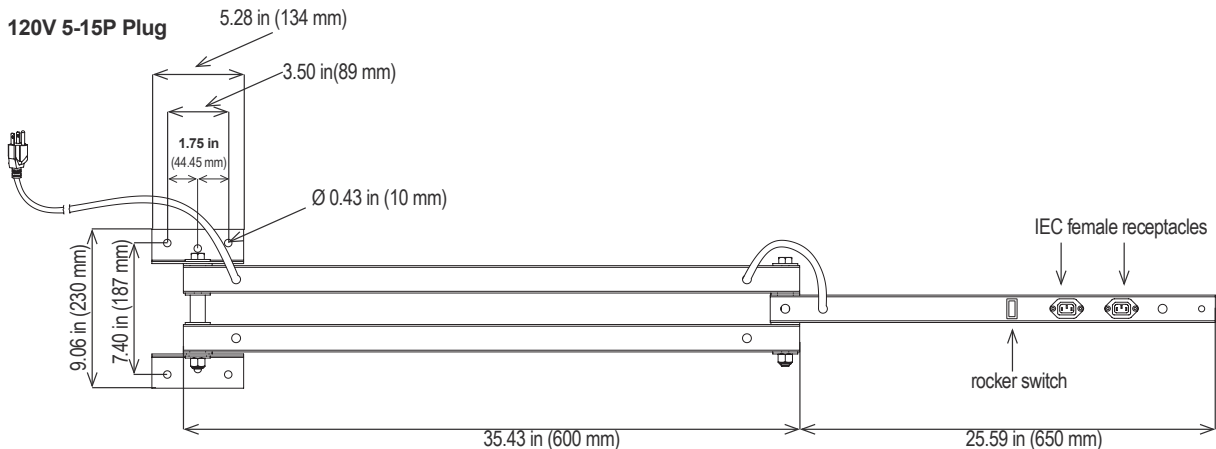
40 Inch Arm

120V 5-15P Plug



60 Inch Arm

120V 5-15P Plug



1-800-854-0021 www.ldpi-inc.com
 LDPI® is a registered trademark of LDPI, Inc. © LDPI, Inc.

Product design and specifications subject to change without notice.
 Visit www.ldpi-inc.com for the most current version and photometric data. v.05.02.24

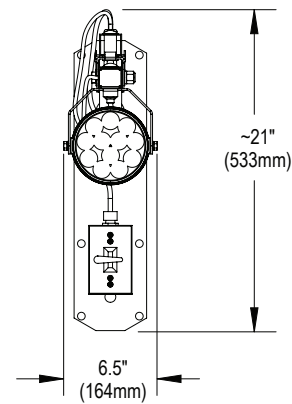
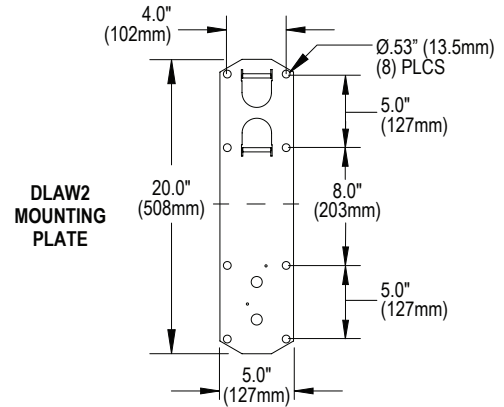
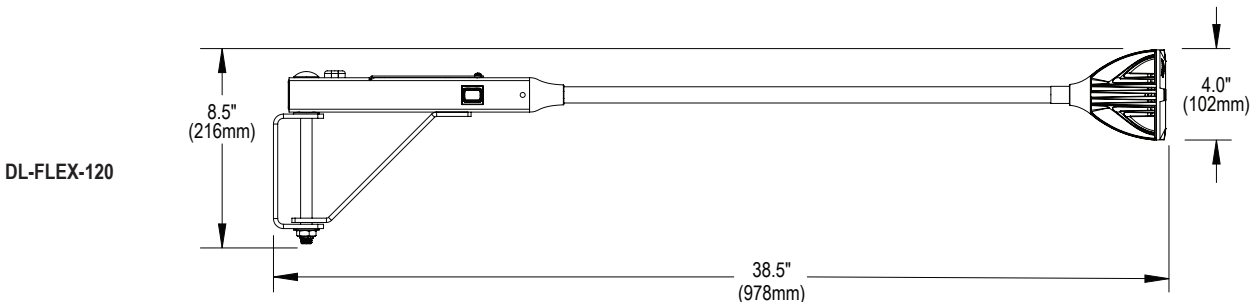
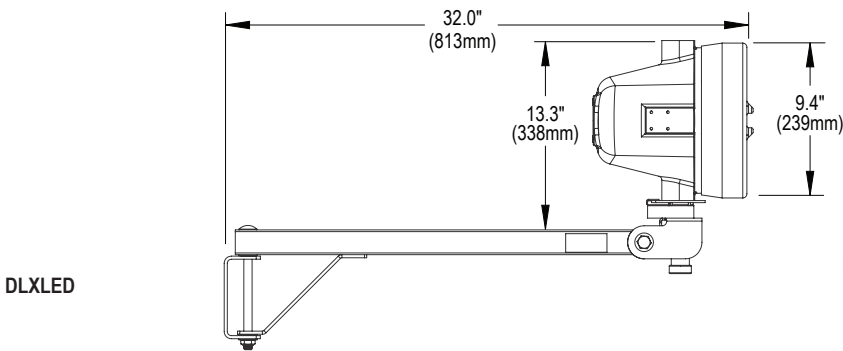
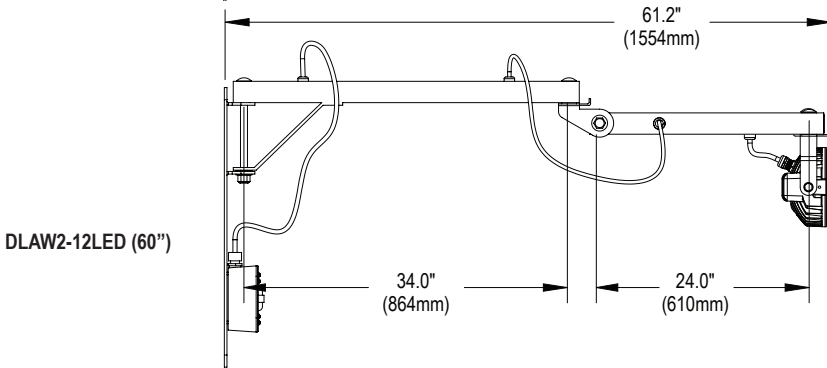
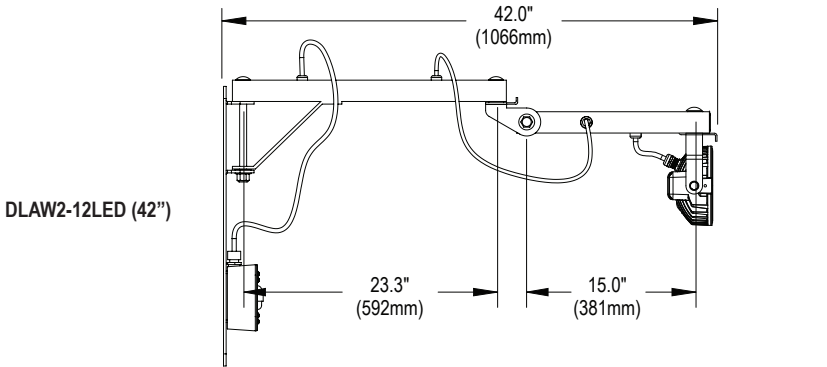
LED DOCK ASSEMBLIES

LOADING DOCK & TASK LIGHTING

Trailer/Cargo Docks • Refineries • Chemical Plants • Explosion Proof Environments



DIMENSIONS



DLXLED / DL-FLEX-120 MOUNTING PLATE

