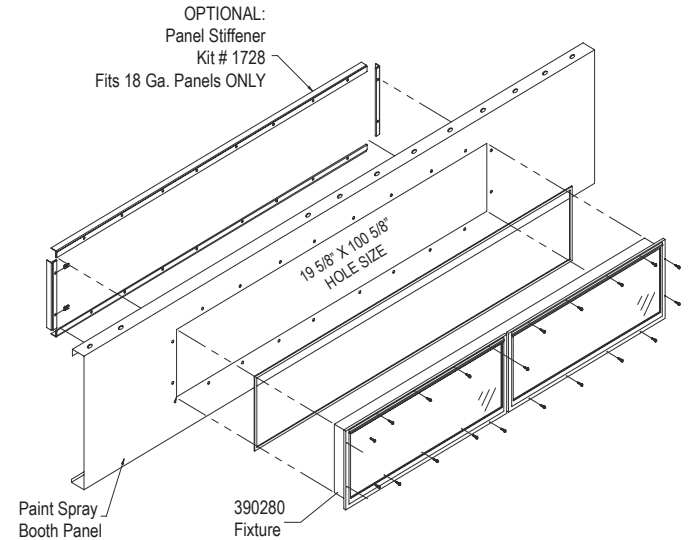
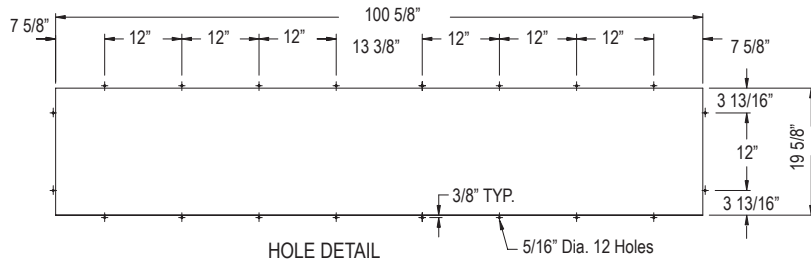


INSTALLATION INSTRUCTIONS FOR 8 FT. DUAL ACCESS, PANEL MOUNT FLUORESCENT LIGHT FIXTURES FOR PAINT BOOTH APPLICATIONS

1. Mark a 19 5/8" x 100 5/8" hole on booth panel where fixture is to be located.
2. Cut hole in booth panel using suitable tools.
3. Place light fixture into hole in booth panel, center, and mark locations of (20) mounting holes.



4. Remove fixture from booth panel and punch (20) 5/16" dia. mounting holes in panel.

5. Install light fixture into panel from inside of booth as shown.

NOTE: Before installing fixture, make certain mounting gasket is installed on bottom surface of light mounting flange.

Locate panel stiffeners on back side of booth panel and install (20) mounting screws through fixture and panel and tighten into U-nuts on panel stiffeners as shown.

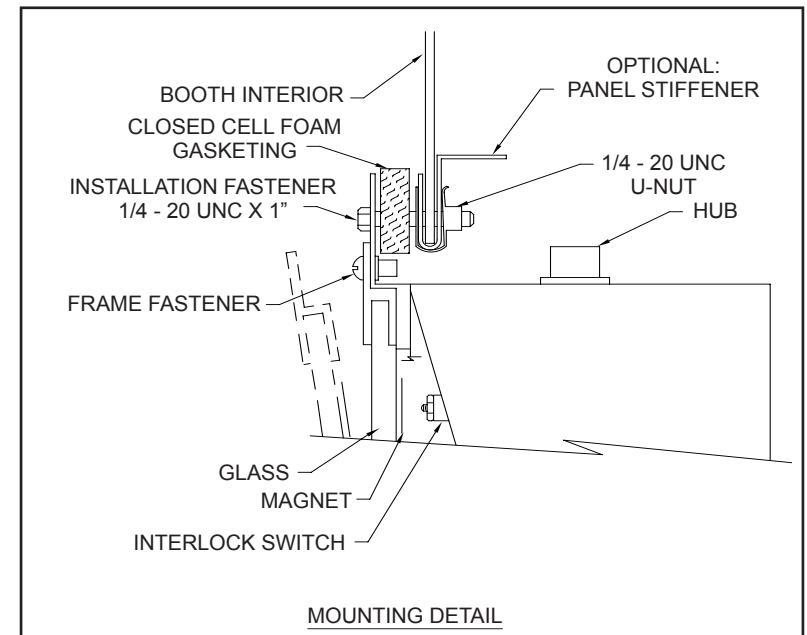
6. Installation of light fixture into booth panel is now complete.

7. Wire fixture through conduit hub according to schematic on back of ballast.

8. This fixture should be installed by qualified technicians in strict accordance with the National Electrical Code and any local requirements.

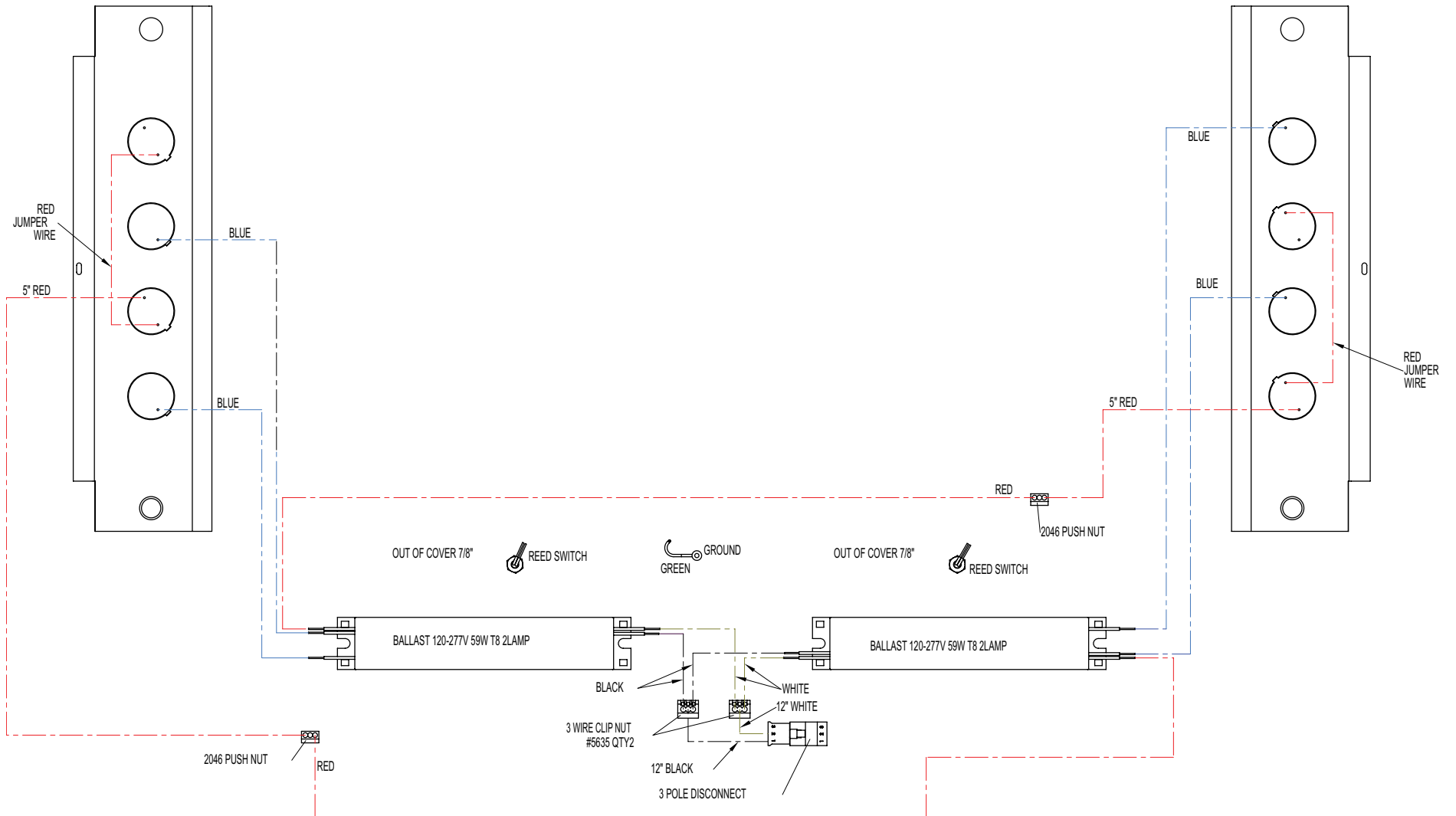
NOTE: Light fixture is provided with (2) interlock switches which have normally open contacts that open when fixture is accessed from the inside of the paint spray booth.

Since the fixture can be accessed from inside the paint spray booth, a 2" x 3 1/2" label stating: "Caution - Do not operate paint spray equipment when fixture frame is opened. Keep the fixture frame tightly closed while paint spray equipment is operating", is included on each fixture.



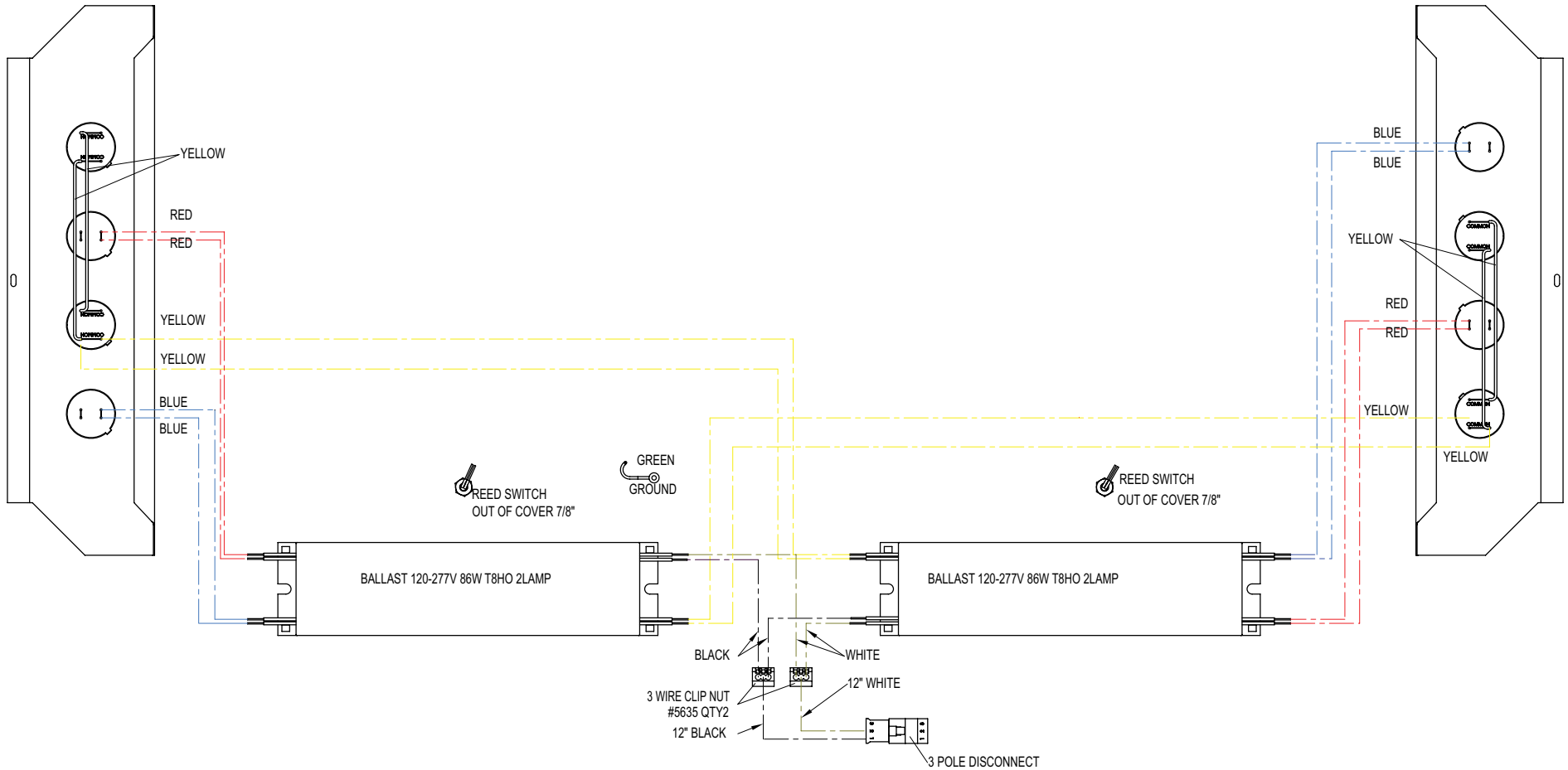
INSTALLATION INSTRUCTIONS FOR 8 FT. DUAL ACCESS, PANEL MOUNT FIXTURE T8

NOTE: FOR CLARITY THIS SCHEMATIC HAS BEEN DRAWN UP TO REPRESENT THE LIGHT FIXTURE IN ITS UNASSEMBLED STATE. THE LAMP HOLDER ASSEMBLIES OR VARIOUS COMPONENTS MAY BE SHOWN UPSIDE DOWN TO ILLUSTRATE WHERE THE WIRES GO, IF THIS IS THE CASE A SYMBOL NOTING THE ROTATION DIRECTION REQUIRED FOR CORRECT ORIENTATION IN THE ASSEMBLY WILL BE PRESENT ON THE SCHEMATIC.



INSTALLATION INSTRUCTIONS FOR 8 FT. DUAL ACCESS, PANEL MOUNT FIXTURE T8HO

NOTE: FOR CLARITY THIS SCHEMATIC HAS BEEN DRAWN UP TO REPRESENT THE LIGHT FIXTURE IN ITS UNASSEMBLED STATE. THE LAMP HOLDER ASSEMBLIES OR VARIOUS COMPONENTS MAY BE SHOWN UPSIDE DOWN TO ILLUSTRATE WHERE THE WIRES GO. IF THIS IS THE CASE A SYMBOL NOTING THE ROTATION DIRECTION REQUIRED FOR CORRECT ORIENTATION IN THE ASSEMBLY WILL BE PRESENT ON THE SCHEMATIC.



INSTALLATION INSTRUCTIONS FOR 8 FT. DUAL ACCESS, PANEL MOUNT FIXTURE T12

NOTE: FOR CLARITY THIS SCHEMATIC HAS BEEN DRAWN UP TO REPRESENT THE LIGHT FIXTURE IN ITS UNASSEMBLED STATE. THE LAMP HOLDER ASSEMBLIES OR VARIOUS COMPONENTS MAY BE SHOWN UPSIDE DOWN TO ILLUSTRATE WHERE THE WIRES GO. IF THIS IS THE CASE A SYMBOL NOTING THE ROTATION DIRECTION REQUIRED FOR CORRECT ORIENTATION IN THE ASSEMBLY WILL BE PRESENT ON THE SCHEMATIC.

