

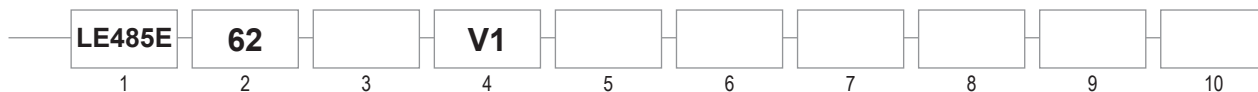


LE485E

HAZARDOUS - BOOTH - FRONT ACCESS

Paint and Powder Booths • Blast Booths • Clean Rooms • Prep • Sanding

The LE485E Series is a recessed mount, front access, LED paint booth luminaire. This LED fixture is available in 4 Ft. lengths with 1 or 2 rows of LED's; replacing your standard 4 lamp fluorescent fixture. The LE485E Series fixtures is designed to fit into a double wall booth. This fixture can be used with or without optics, has dimming capabilities, and is available with an EM option. Designed as a cost effective and energy efficient solution to replace or upgrade your booth to LED lighting.



1 SERIES	2 SOURCE	3 CONFIGURATION	4 VOLTAGE	5 OPTIC	6 DIMMING	7 CCT
LE485E	62: 62W	N1: 1 Row-Narrow Housing W1: 1 Row-Wide Housing W2: 2 Row-Wide Housing	V1: 120-277VAC (50/60Hz)	Blank: None A: Diffused Acrylic	Blank: None D1: 0-10V	3: 3,500K 4: 4,000K 5: 5,000K
8 WIRE WHIP*		9 OPTIONS	10 MOUNTING LOCATIONS			
Blank:None WH: Wire Whip (10ft.) *3-wire wire whip standard. Total number of leads dependent on options ordered.		SP: Surge Protector (430 joules) EM: Battery/Driver Backup (90min.)	H: Hinged Lens w/ Interlock Switch* CH: Ceiling/ Hip Mount (No interlock switch or hinge) ** *H option for use in walls, ceiling, or hips **CH option for use in hip and ceiling only			

CERTIFICATIONS

UL844 / CSA-C22.2 No.137 (Hazardous)
 CI D2, Grps A,B,C,D
 CII D2, Grps F,G
 Paint Spray Listed
 T Code: CI D2, CII D2 = T3C
 UL1598 / CSA-C22.2 No.250 (Wet/Damp)
 Lumen Maintenance (L70) >60,000 hrs. (reported)
 CRI >80
 -25°C to 55°C Ambient (IC / NonIC)

CONSTRUCTION

20 gauge white powder coated steel housing
 Silicone free gaskets
 4 Ft. length (nominal)
 Diffused acrylic optic (optional)
 Clear, tempered glass lens access panel
 1/2" NPT Hub(s)
 Weights: Min: 42 lbs. / Max: 68 lbs.

ELECTRICAL

120-277VAC
 6kV Built-in driver surge protection

*These products are Manufactured in the USA with both domestic and imported components; not all fixture configurations are compliant. Contact LDPI Sales with specific part number and requirement - Build America, Buy America, TAA or any other federal procurement act for compliance confirmation. Compliance confirmation can take up to 3 days.

FEATURES

Optional Dimming: 0-10V
 Recess mount - Front access
 Withstands up to 71°C bake cycle for 90 minutes with fixture power interlock off
 Emergency/Battery backup option available
 Fits in the same cutout as Slim Light and 400 Series fluorescent fixtures
 5 year warranty



Designed to fit into double wall booths.
 Fixture recess depth 2.13 in.

PERFORMANCE

Source	Voltage (VAC) 50/60Hz	Input Current (A)	Wattage (W)	CCT	Lumen Output* (Lm)	
					No Optic	Diffused Acrylic Optic
62 (1&2 Row)	120-277	0.53 - 0.23	62	3,500K	7660	6140
				4,000K	7820	6270
				5,000K	7900	6330
Emergency Mode			10.4	3,500K	2,500	2,020
				4,000K	2,550	2,060
				5,000K	2,590	2,090

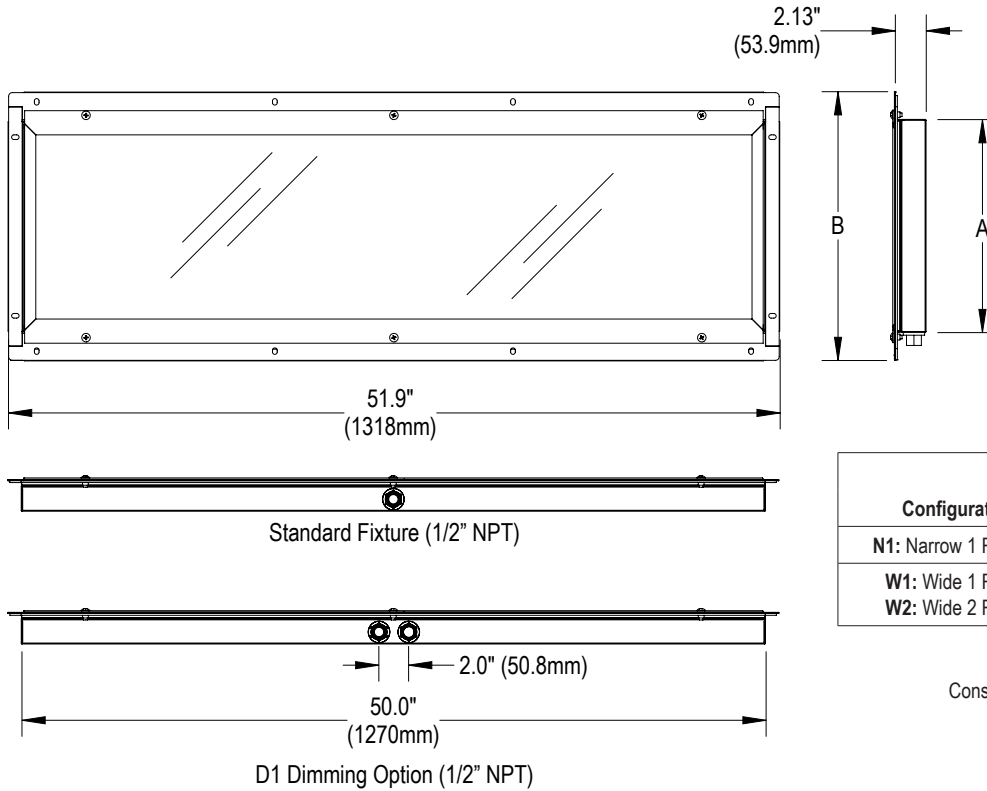
LE485E

HAZARDOUS - BOOTH - FRONT ACCESS

Paint and Powder Booths • Blast Booths • Clean Rooms • Prep • Sanding



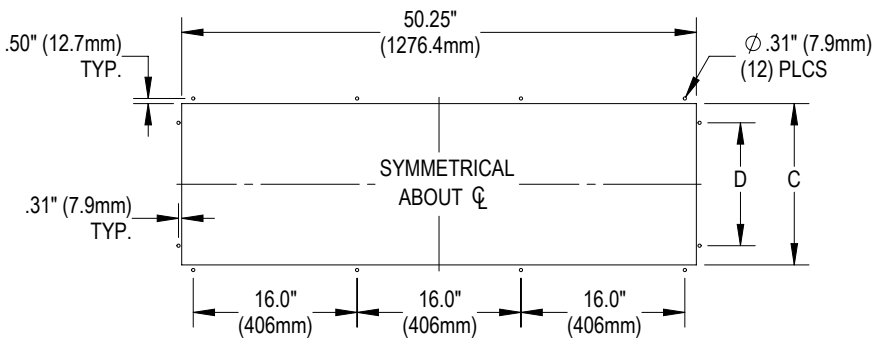
DIMENSIONS



Configuration	Dimensions* (in./mm)	
	A	B
N1: Narrow 1 Row	9.31" (236mm)	13.06" (332mm)
W1: Wide 1 Row W2: Wide 2 Row	14.31" (363mm)	18.06" (459mm)
* Nominal dimensions		

Consult factory for custom hub locations

PANEL CUTOUT DIMENSIONS



Configuration	Dimensions* (in./mm)	
	C	D
N1: Narrow (1 Row)	10.75" (273.1mm)	7.0" (177.8mm)
W1: Wide (1 Row) W2: Wide (2 Row)	15.75" (400.1mm)	12.0" (304.8mm)
* Actual dimensions		



No Optic



A. Diffused Acrylic Optic



1-800-854-0021 www.ldpi-inc.com
LDPI® is a registered trademark of LDPI, Inc. © LDPI, Inc.

Product design and specifications subject to change without notice.
Visit www.ldpi-inc.com for the most current version and photometric data. v.03.26.26