

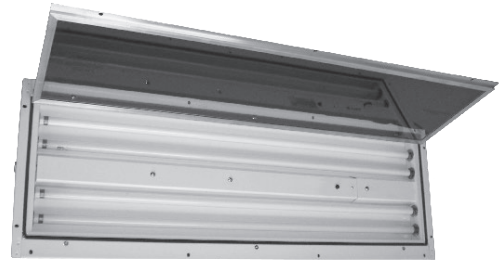


SLIMLIGHT

HAZARDOUS - BOOTH

Industrial • Paint and Powder Booths • Blast Booths • Prep, Inspection, Sanding Areas

The Slim Light Series features a low profile housing that is only 2 1/4" thick maximizing the available space allowed for your paint spray booth. The Slim Light Series is available in lengths of 3 & 4' with 2, 4 or 6 lamp options. The 3' fixtures are available in T8 25 watts. The 4' fixtures are available in 32 and 54 watts T5HO, T8 or T8HLO. This series provides a hinged front access door with a paint spray cutoff switch when opened. Must be mounted hinge side up when wall mounted. LAMPS SOLD SEPARATELY.



SERIES	MODEL #	DESCRIPTION	OPTIONS
Slim Light 3 Ft.	390320-3613	T8 25W, 2 Lamp	EM: Battery/Driver Backup (90 Min.) T8 - 2 & 4 Lamp fix. only (Not available for model# 390360-3546) Wire whip
	390340-3546	T8 25W, 4 Lamp	
	390360-3546	T8 25W, 6 Lamp	
Slim Light 4 Ft.	390420-3613	T8 32W, 2 Lamp	EM: Battery/Driver Backup (90 Min.) T8/T8HLO only HSR: High Performance Specular Reflector (440 T8 and T8HLO only) HWR: High Performance White Reflector (440 T8 and T8HLO only)
	390420-6975	T8 32W HLO, 2 Lamp	
	390420-3265	T5 54W HO, 2 Lamp	
	390440-3546	T8 32W, 4 Lamp	
	390440-6747	T8 32W HLO, 4 Lamp	
390440-4843	T5 54W HO, 4 Lamp		
Slim Light 4 Ft. 6 Lamp	390460-3546	T8 32W, 6 Lamp	EM: Battery/Driver Backup (90 Min.) T8/T8HLO only
	390460-7059	T8 32W HLO, 6 Lamp	
	390460-3265	T5 54W HO, 6 Lamp	

LISTINGS

UL 844
CSA 22.2 No. 137.0
Paint Spray Listed
UL 1598 Wet / Damp
CSA 22.2 No. 250.0
Class I D2 Groups A,B,C,D
Class II D2 Groups F,G
T3C 160°C
40°C ambient rating

FEATURES

20 gauge steel construction with white powder coat housing which creates a durable, highly reflective finish. A hinged front access door provides convenient access, and the 2 1/4" depth minimizes the space needed.

LENS

3/16" clear tempered glass.

ELECTRICAL

Paint spray cutoff switch in the front door frame.
Available in: 3 Ft. 25 watt T8 and 4 Ft. 32 and 54 watt T8, T8HLO or T5HO
Voltages of 120, 277, 347 and 480 Volts at 50/60Hz

OPTIONS

EM: Battery/Driver Backup (90 Min.) 120V & 277V, U.S. ETL/UL only.

See options above for specific availability

5902: 8 Ft. 5-wire whip

HSR: High performance specular reflector (only available on 390440 T8 and T8HLO)

HWR: High performance white reflector (only available on 390440 T8 and T8HLO)

NOTE

Normally open magnetic switches are intended to be used to trigger a relay (furnished by others) which disables the paint system. Because of the small capacity of the switch a solid state relay is recommended. It may be desired by others to utilize a separate power supply to segregate the relay (furnished by others) from the lighting power supply. The magnetic switch IS NOT designed to directly control light operation! The magnetic switch is rated for 10 watts resistive at a maximum of 300 VAC.

CAUTION



Overloading the switch circuits WILL cause failure.

LDPI, Inc. recommends having a certified electrician/engineer review loads to ensure that overloading of switch does not occur.



SLIMLIGHT

HAZARDOUS - BOOTH

Industrial • Paint and Powder Booths • Blast Booths • Prep, Inspection, Sanding Areas

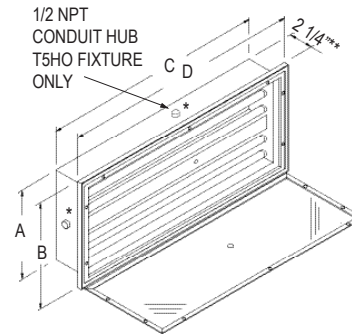
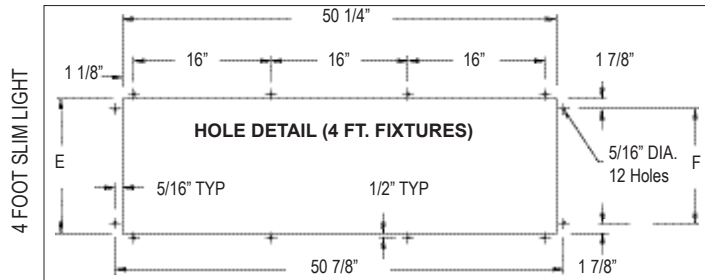
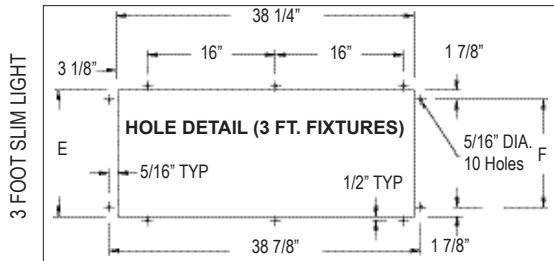


DIMENSIONS AND MOUNTING

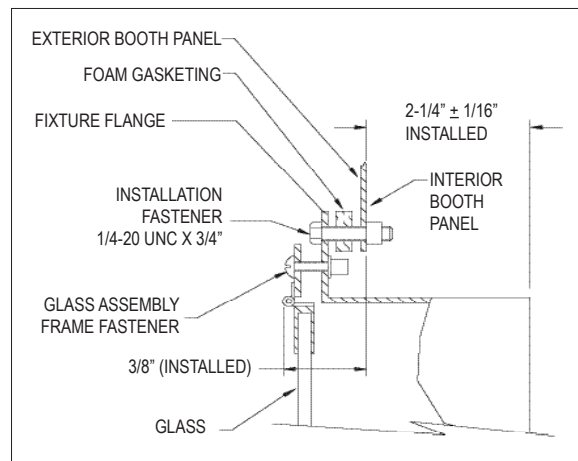
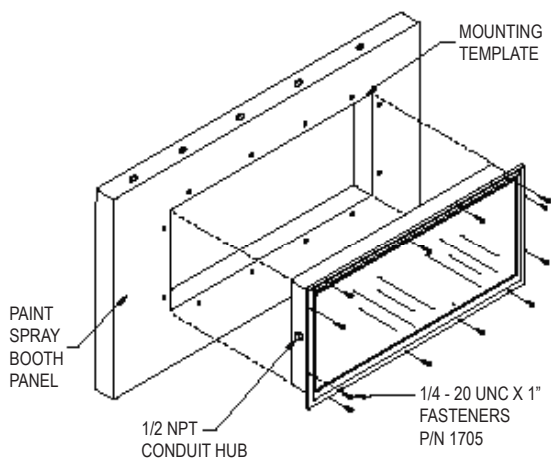
TYPE	E	F
2 LAMP	10 3/4"	7"
4 LAMP	15 3/4"	12"
6 LAMP	20 3/4"	17"

TYPE	MODEL	A	B	C	D
3 FT. 2 LAMP	390320	9 1/2"	13"	38"	39-7/8"
3 FT. 4 LAMP	390340	14 1/2"	18"	38"	39-7/8"
3 FT. 6 LAMP	390360	19 1/2"	23"	38"	39-7/8"
4 FT. 2 LAMP	390420	9 1/2"	13"	50"	51-7/8"
4 FT. 4 LAMP	390440	14 1/2"	18"	50"	51-7/8"
4 FT. 6 LAMP	390460	19 1/2"	23"	50"	51-7/8"

NOTE: LIGHT FIXTURE'S GLASS FRAME EXTENDS 3/8" INTO BOOTH WHEN MOUNTED IN BOOTH PANEL.



* Hub Locations
** (T5HO EM fixture is 3 1/2" deep)



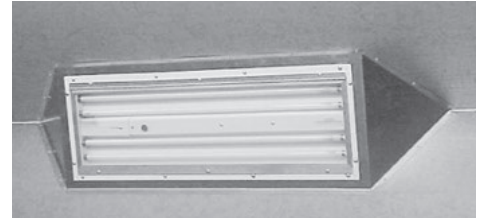


SLIMLIGHT

HAZARDOUS - BOOTH - CORNER/HIP MOUNT

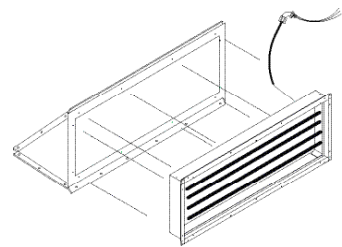
Industrial • Paint and Powder Booths • Blast Booths • Prep, Inspection, Sanding Areas

Horizontal or Vertical Mounting Corner/Hip Light Kit
Corner or Hip Mount Kit (PN 4714)
For use with 390440J-3546 Slim Light fixture ONLY.
FIXTURE SOLD SEPARATELY



Corner Light Mounting Option

The following is an acceptable method of installing panel mounted fixtures into the corner of a paint spray booth. Can be installed vertically in a corner, or horizontally in the hip of the booth. Includes all components required to install kit and route wiring conductors out of booth.



FEATURES

Part Number: 4714
To reduce shadowing, corner or hip lighting is ideal.
Shipping weight: 14#

KIT

18 gauge galvanized panel

Kit (delivered unassembled) Includes:

- Self tapping screws to mount panel to booth
- Bolts/Nuts to mount fixture to panel.
- Wire whip pre-wired to fixture.
- (4) feet of 1/2" Liquid-Tite Flexible conduit
- 90° Flex connector to exit booth
- Straight flex connector to secure flex to fixture
- (1) Tube of caulk to seal around panel and fixture perimeter

REQUIREMENTS

For use with the 390440J-3546 Fixture only. (Fixture Sold Separately)

Panel construction must meet the requirements of NFPA 33 Chapter 3, "Construction and Design of Spray Areas, Spray Rooms, and Spray Booths."

Fixture installation wiring to meet the requirements of NFPA 33 Chapter 4, "Electrical and Other Sources of Ignition."

OPTIONS

Powder Coat Finish

NOTES

Mounting requires drilling 7/8" hole in booth wall or ceiling to route flex conduit out of booth.
All wiring must be performed by a certified electrician and in accordance with all national and local electrical codes and regulations.

