



BOOTH PATCH PANEL KIT

KITS FOR RETRO-FIT OF LE484

Patch panel kits are designed for retrofitting your booth with the energy efficient LE484 LED Light and are designed to fit over existing booth wall cut-outs (max. 16"x48").

LE484 shown for illustration purposes. Not included with kit.

Each Kit Includes:

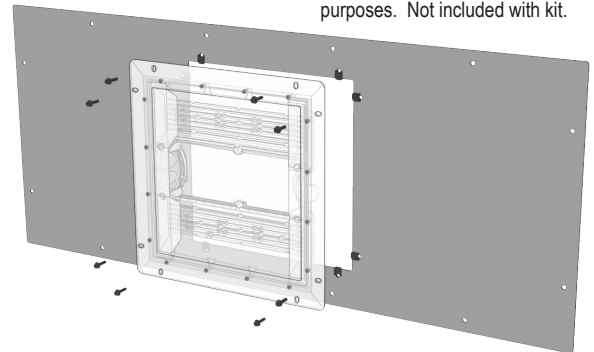
- (1) Patch panel specific to the LDPI fluorescent series being replaced
- (1) Step-by-step instructional / retrofit manual
- (8) 1/4-20 x 1.0" hex head screws (for mounting LE484 to patch panel)
- (8) 1/4-20 Clip-on nuts (for mounting LE484 to patch panel)

Notes:

Booth cut-out sizes and hole locations may vary from the dimensions above. Please consult with LDPI sales prior to placing order to ensure proper fit.

Some kits may require cutting and/or drilling. Consult with LDPI sales for more information.

Custom kits available upon request.

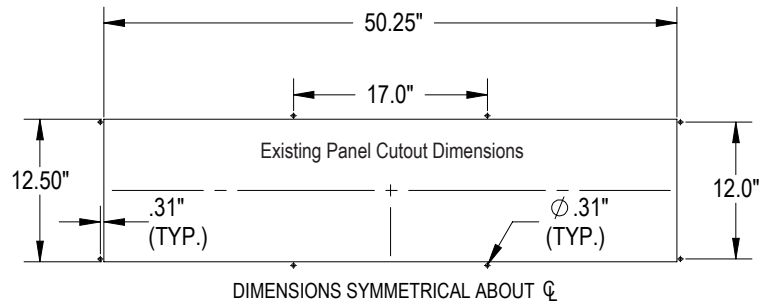
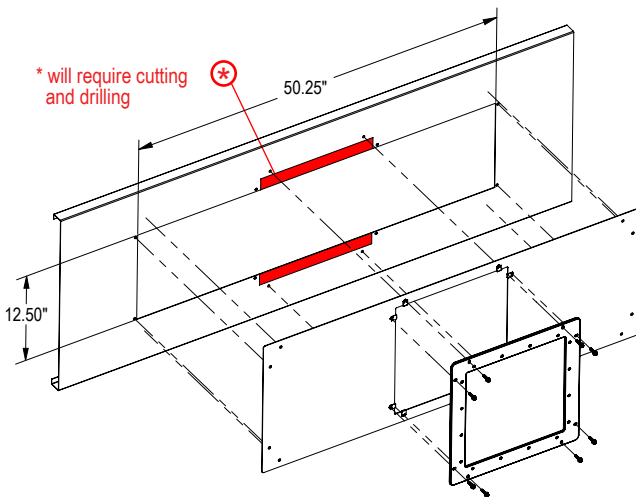


Patch Panels are made from 14 gauge (.078") galvanized, unpainted steel.

241 AND 260/261

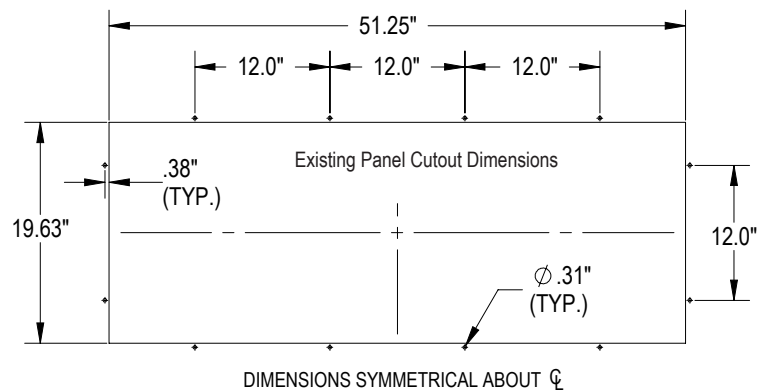
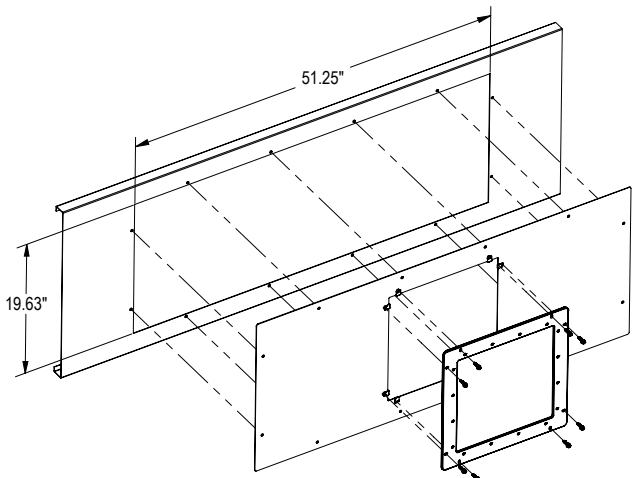
Fixture 390241

Kit #17656



Fixture 390260/261

Kit # 17657



BOOTH PATCH PANEL KIT

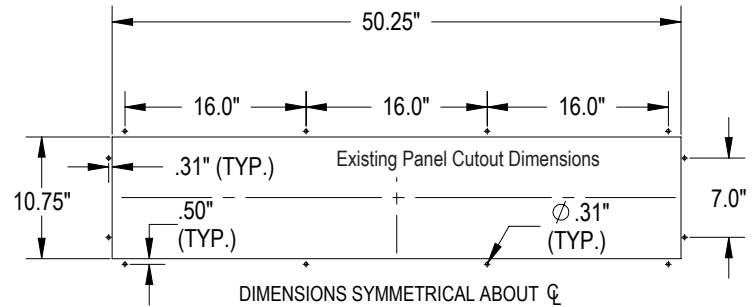
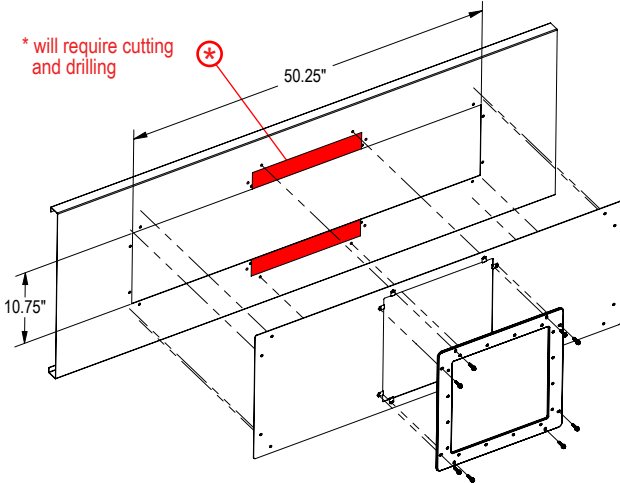
KIT FOR RETRO-FIT OF LE484



SLIM LIGHT AND 400 SERIES

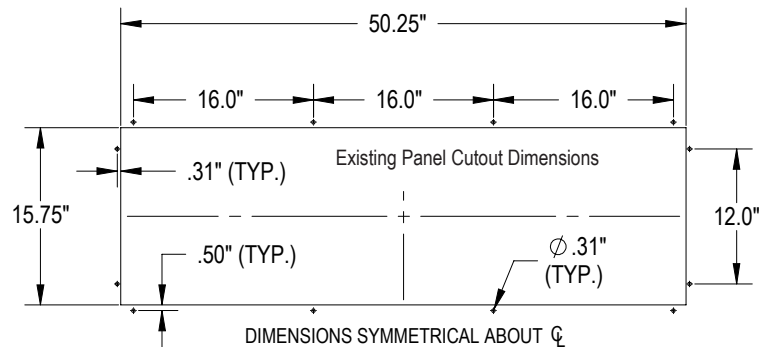
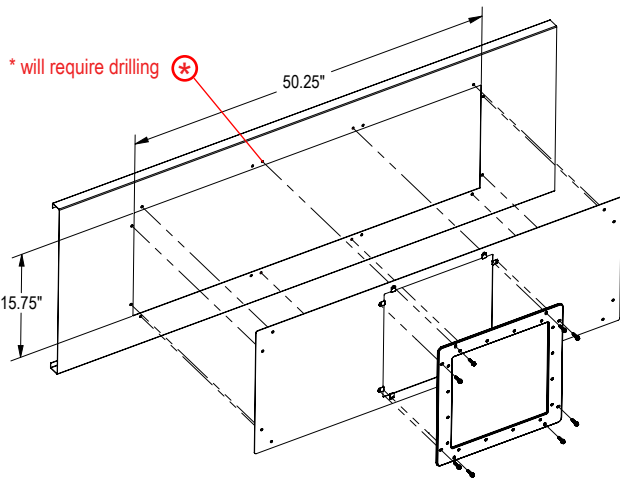
Fixture 390420, 421

Kit #17656



Fixture 390440, 441

Kit # 17656



Fixture 390460, 461

Kit # 17658

