



INSTALLATION, OPERATION AND MAINTENANCE INSTRUCTIONS

4FT FRONT/INSIDE ACCESS, 460 MA T5/T5HO 440THO TROFFER SERIES FLUORESCENT LIGHT FIXTURES FOR CLEAN ROOMS

WARNING!

1. TO PREVENT THE RISK OF ELECTRICAL SHOCK DEACTIVATE/DISCONNECT THE POWER SUPPLY BEFORE INSTALLING OR RELAMPING FIXTURE.
2. THE BALLAST IN THIS FIXTURE IS DESIGNED TO OPERATE ON GROUNDED NEUTRAL SYSTEMS ONLY.
3. THIS FIXTURE SHOULD BE INSTALLED BY QUALIFIED TECHNICIANS IN STRICT ACCORDANCE WITH THE NATIONAL ELECTRICAL CODE AND ANY LOCAL REQUIREMENTS.

PAINT SPRAY BOOTH APPLICATIONS

LDPI highly recommends that the standard LAY-IN style of mounting or Surface Mount not be used in paint spray booth applications as it does not allow for the front of the fixture to be sealed to the opening.

If the Recessed Flange Mount kit or Box Panel Mount are used in paint spray booth applications the fixture should be sealed in such a way that only the face of the light fixture is exposed to the paint environment and the sides and rear are located in the Class I Division 2 environment.

NOTE: Light fixtures are provided with an interlock switch which has normally open contacts which open when fixture is accessed from the inside of the paint spray booth. This switch is to be wired in such a way that it disables paint spray equipment when the front of the light is opened.

IMPORTANT: 10 Watt magnetic switches are not prewired. (Wiring performed by others). It may be desired by others to run separate power for this supply to segregate relay from light power. *The magnetic micro switch is **NOT** designed to directly control light operation.

Since these fixtures can be accessed from inside the paint spray booth, a 2" x 3 1/2" label stating: "Caution - Do not operate paint spray equipment when fixture frame is opened. Keep the fixture frame tightly closed while paint spray equipment is operating", is included with each fixture.

OPERATIONAL DATA

1. Operate this fixture at its rated voltage. See fixture label for data. Do not install where the marked operating temperature exceeds the ignition temperature of the hazardous atmospheres.

MAINTENANCE DATA

1. Although no routine maintenance is required to keep this fixture functional, it should be checked periodically to ensure that it is working properly and to look for any external damage.
2. For optimum performance, keep light transmission parts of fixture clean. Any commercial glass cleaner can be used to clean the glass.
3. To Re-lamp: disconnect supply circuit. Remove qty 3 fasteners from glass frame opposite side from hinge. The glass frame will swing open. Replace old lamp with new lamp. Close glass frame and install fasteners in glass frame to seal.
4. In the event of glass breakage, it will be necessary to replace the damaged glass frame assembly, in order to maintain the integrity of the fixture.

LAY-IN MOUNT (STANDARD)

1. Install light fixture into Standard 2 FT x 4 FT ceiling mount T-GRID. Mount light fixture by laying it in the 2 ft. x 4 ft. opening of the T-Grid ceiling. No fasteners are required; fixture simply sits on the flange of the T-Grid. Cable or chain (not included) must be attached to the Cable/Chain Hang Brackets on the fixture to take the weight off the T-Grid.

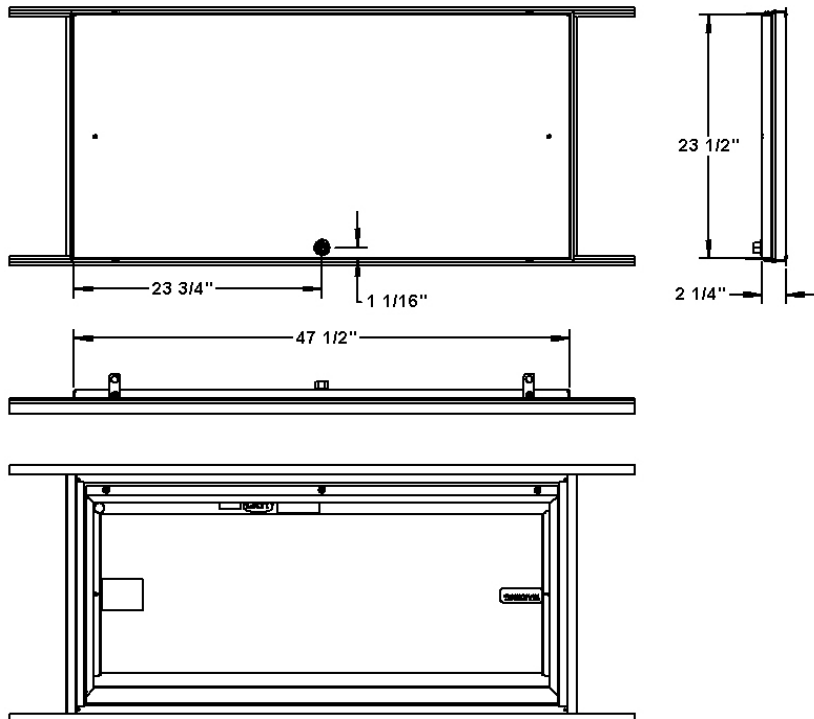
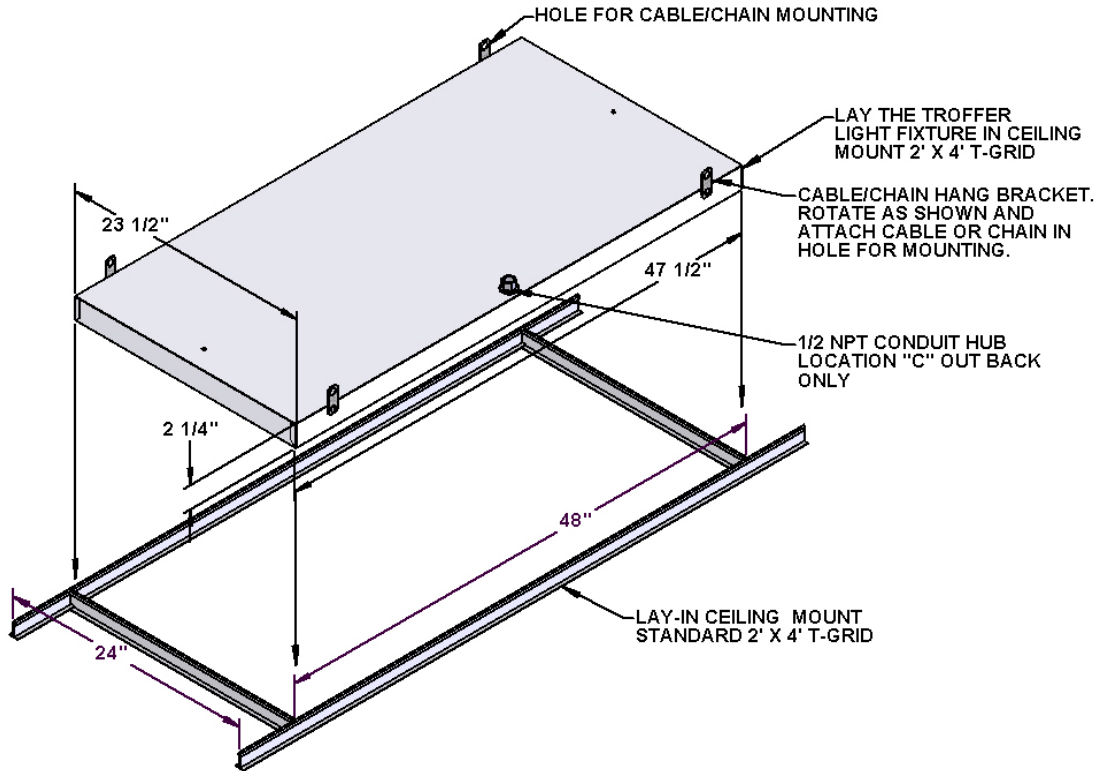
NOTE: If ceiling grid is 2 ft. x 2 ft., remove one T-Grid to make it a 2 ft. x 4 ft. opening.

2. Remove (3) 1/4"-20 x 5/8" Phillips access fasteners, open access door, install lamps, close access door and install 1/4"-20 x 5/8" Phillips access fasteners.

NOTE: When installing lamp – fixtures are rated for 28 watts T5 or 54 watts T5HO lamps only.

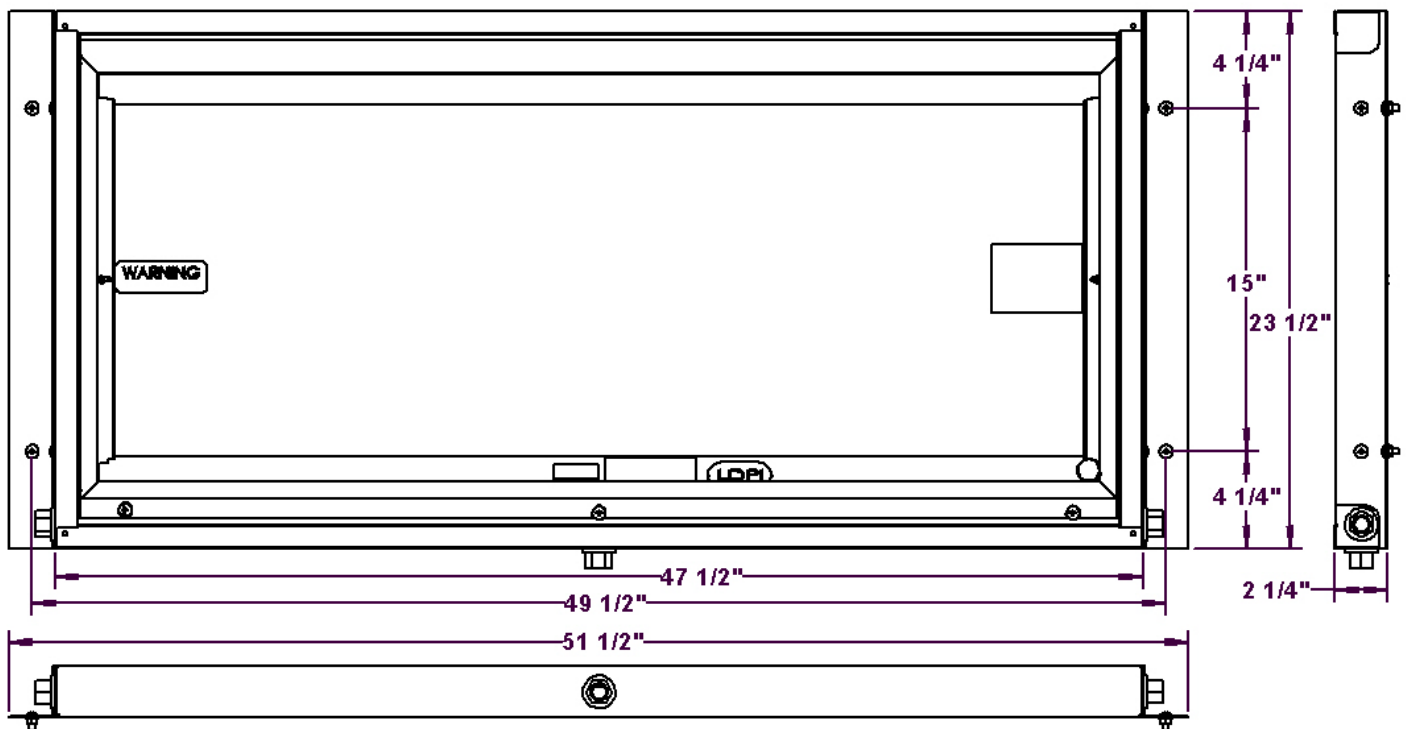
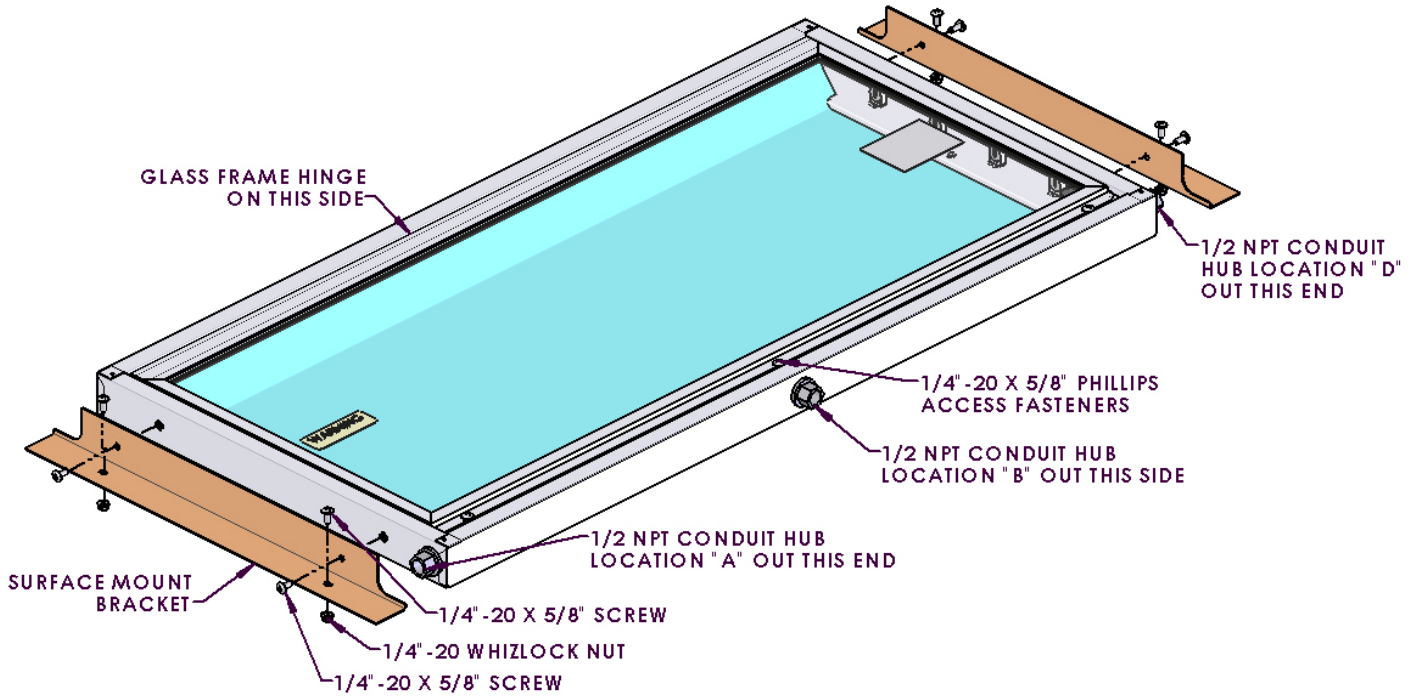
3. Wire fixture through conduit hub according to schematic on back of ballast.

4. Installation of light fixture into ceiling mount T-GRID is now complete.



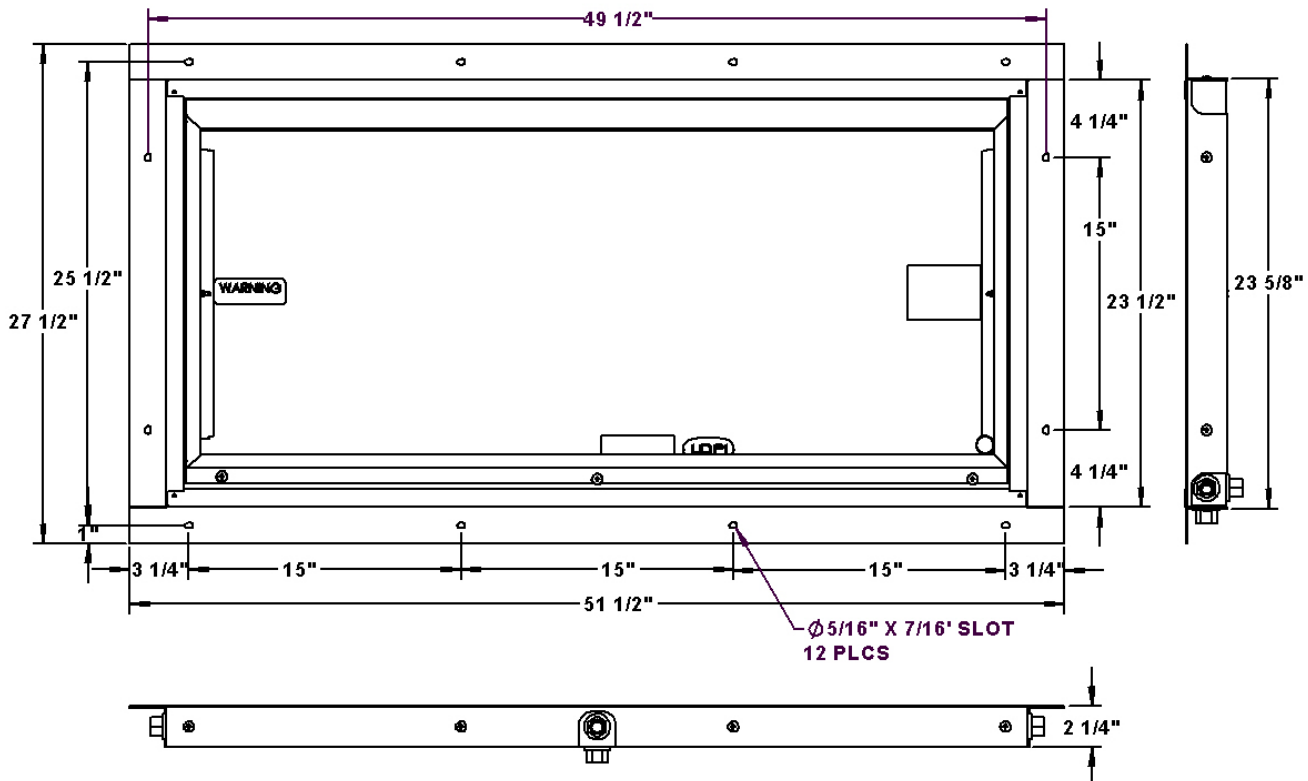
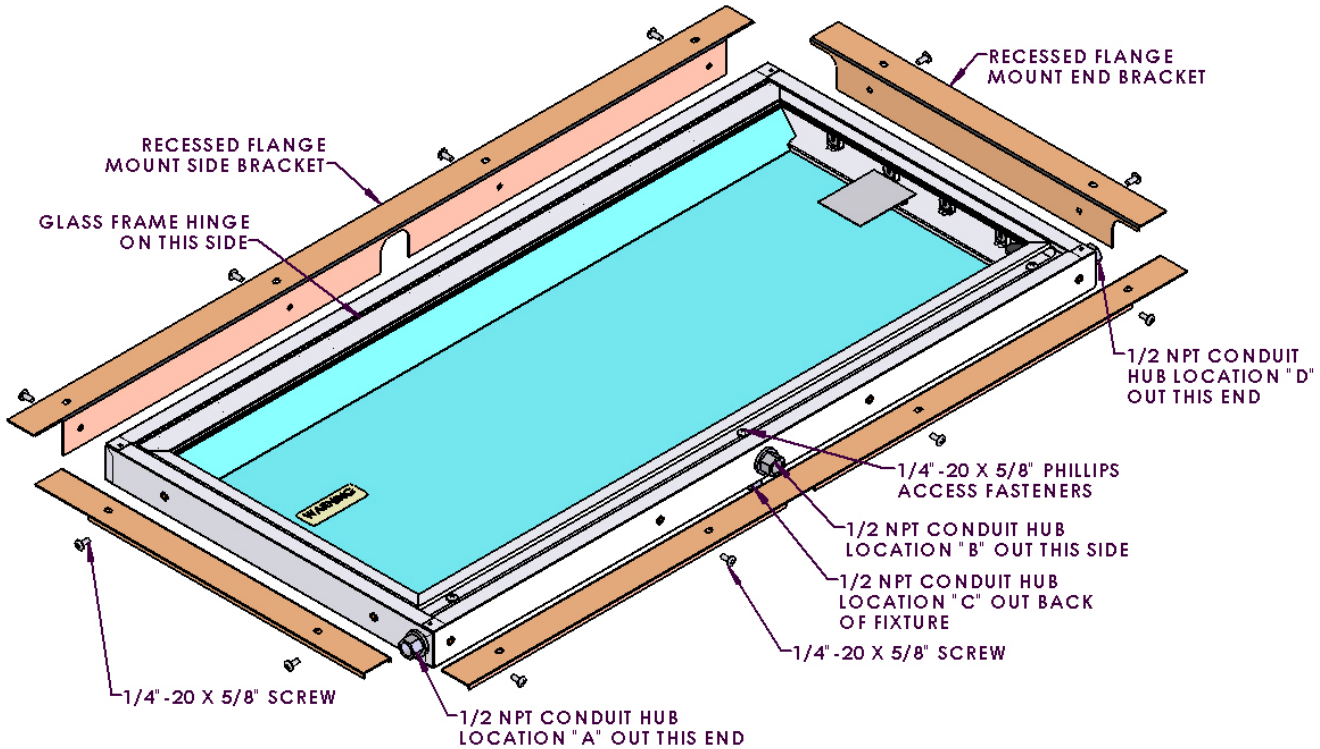
SURFACE MOUNT KIT P/N 3330

1. Install mounting brackets on both ends of fixture with fasteners and secure to structure. Customer is responsible for providing any reinforcements needed for mounting.
2. Remove (3) 1/4"-20 x 5/8" Phillips access fasteners, open access door, install lamps, close access door and install 1/4"-20 x 5/8" Phillips access fasteners.
NOTE: When installing lamp – fixtures are rated for 28 watts T5 or 54 watts T5HO lamps only.
3. Wire fixture through conduit hub according to schematic on back of ballast.
4. Installation of light fixture onto panel is now complete.



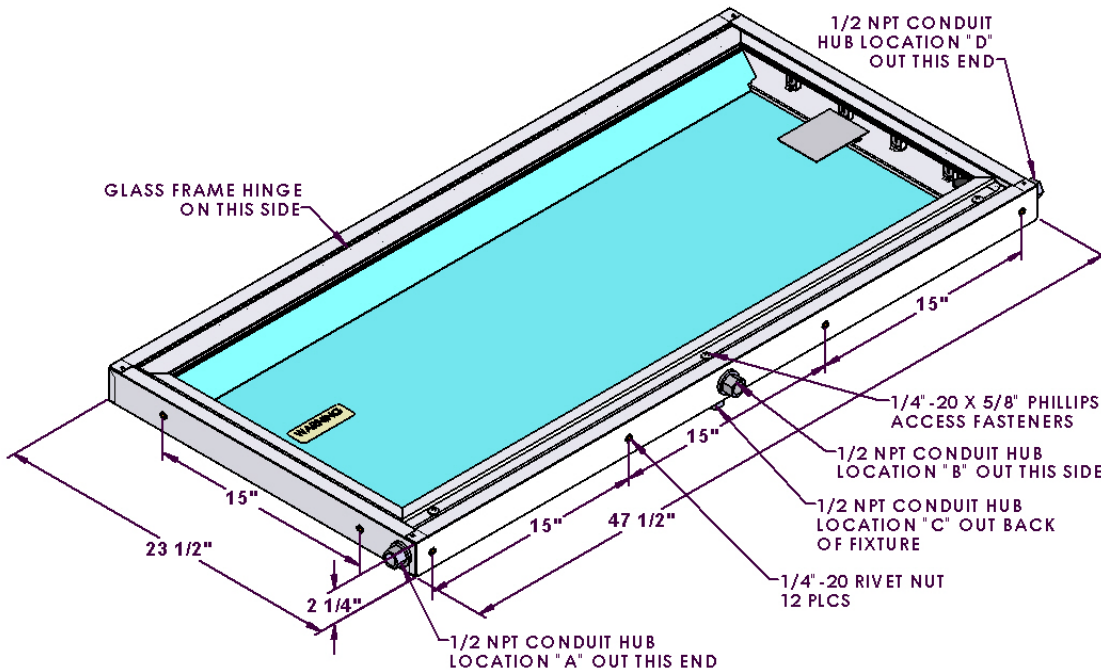
RECESSED FLANGE MOUNT KIT P/N 3331

1. Install mounting brackets on both ends and both sides of fixture with fasteners and secure to structure. Customer is responsible for providing any reinforcements needed for mounting.
 2. Remove (3) 1/4"-20 x 5/8" Phillips access fasteners, open access door, install lamps, close access door and install 1/4"-20 x 5/8" Phillips access fasteners.
- NOTE:** When installing lamp – fixtures are rated for 28 watts T5 or 54 watts T5HO lamps only.
3. Wire fixture through conduit hub according to schematic on back of ballast.
 4. Installation of light fixture onto panel is now complete.

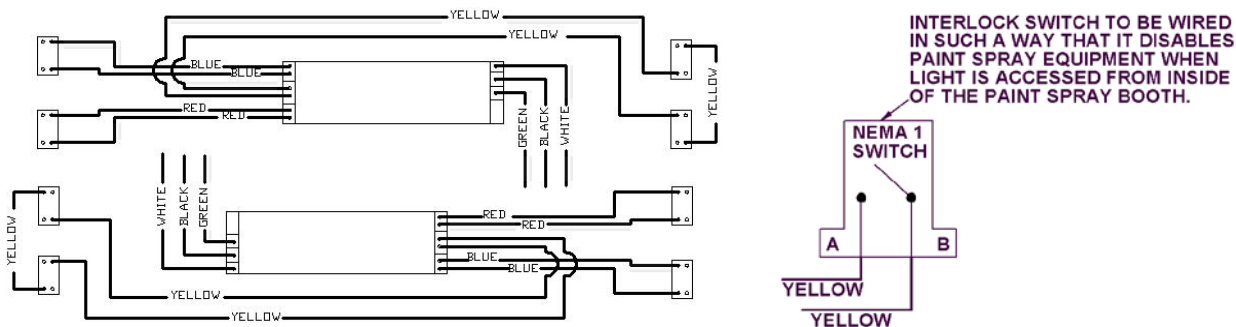


BOX PANEL MOUNT

1. Install light fixture by placing it in the 2 ft. x 4 ft. Box Panel opening. Secure to structure by mounting on both ends and both sides of fixture with 1/4"-20 fasteners (not included). Customer is responsible for providing any reinforcements needed for mounting.
 2. Remove (3) 1/4"-20 x 5/8" Phillips access fasteners, open access door, install lamps, close access door and install 1/4"-20 x 5/8" Phillips access fasteners.
- NOTE:** When installing lamp – fixtures are rated for 28 watts T5 or 54 watts T5HO lamps only.
3. Wire fixture through conduit hub according to schematic on back of ballast.
 4. Installation of light fixture onto panel is now complete.



WIRING SCHEMATIC FOR: 4 FT. 4 LAMP T5/T5HO PROGRAMMED START FIXTURE



NOTE:
Normally open magnetic switches are intended to be used to trigger a relay (furnished by others) which disables the paint system. Because of the small capacity of the switch a solid state relay is recommended. It may be desired by others to utilize a separate power supply to segregate the relay (furnished by others) from the lighting power supply. The magnetic switch IS NOT designed to directly control light operation! The magnetic switch is rated for 10 watts resistive at a maximum of 300 VAC. Series wiring of more than 10 switches is NOT RECOMMENDED.

NOTE:
Refer to diagram on ballast with specific wiring details.

CAUTION:
Overloading the switch circuits WILL cause failure. LDPI, Inc. recommends having a certified electrician/engineer review loads to ensure that overloading of switch does not occur.