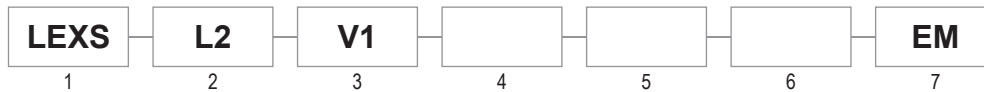
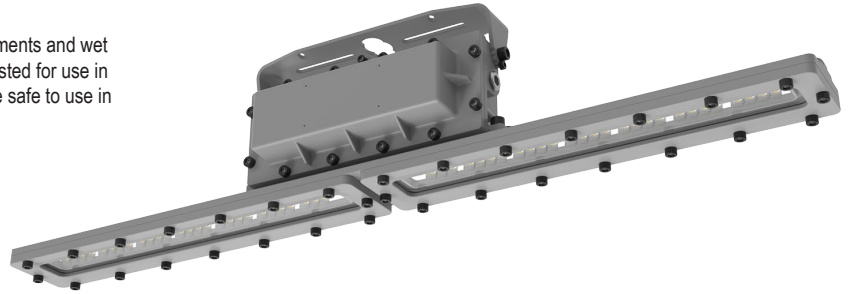


The LEXS-EM is designed and listed for **CI D1** explosive environments and wet locations. This fixture offers directional mounting, is Paint Spray listed for use in paint or powder booths and features silicone-free gaskets that are safe to use in a paint booth.

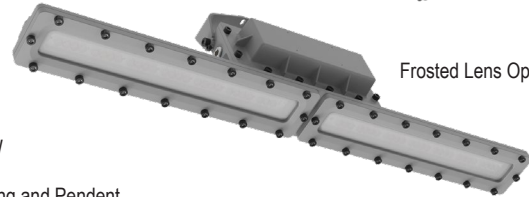


| 1 SERIES | 2 SOURCE | 3 VOLTAGE | 4 CCT | 5 OPTICS / BEAM | 6 LENS | 7 OPTIONS |
|----------|----------------|--------------------------|-------------------------------------|---|-------------------------|--------------------------------------|
| LEXS | L2: 4Ft. / 80W | V1: 120-277VAC (50/60Hz) | 3: 3,000K 4: 4,000K 5: 5,000K | V110: 110° TYPE V V60*: 60° TYPE V T2*: Type II *Requires "C" Lens | C: Clear D: Diffused | EM: Emergency Backup (90 min.) UL924 |

Product comes standard with
 (3) 3/4" Hubs
 Aluminum yoke bracket pre-installed
 10Kv surge protector built-in
 3Ft. Wire whip, factory installed (includes 0-10V dimming leads)



Clear Lens Option



Frosted Lens Option

CERTIFICATIONS

UL844 / CSA-C22.2 No.137 (Hazardous)
 CI D1 Grps C,D
 CI D2 Grps C,D
 Simultaneous Presence
 Paint Spray Listed
 T-Code: CI D1=T6
 UL1598 / CSA-C22.2 No.250 (Wet/Damp)
 Lumen Maintenance (L70) >60,000 hrs. (reported)
 CRI >70
 -20°C to 45°C Ambient
 RH Ambient Humidity 10% to 90%
 IP66
 NEMA 3 and NEMA 4X
 FCC

FEATURES

High lumen output up to 120 Lm/W
 Shock and vibration resistant
 Mounting: Wall (Flood), Pole, Ceiling and Pendant
 30° Yoke Adjustments (180° total)
 Emergency 90 min. battery backup (UL924)
 Light weight, compact design
 5 Year Warranty

CONSTRUCTION

Copper-free aluminum
 Silicone-free gaskets
 Powder coat black
 All exposed fasteners are stainless steel
 Thermal shock and impact resistant glass lens
 (3) 3/4" Hub locations
 Weight: 27 lbs.

ELECTRICAL

120-277V
 10Kv surge protector built in, standard
 24 hour charge time
 3 Ft. Wire whip standard, factory installed

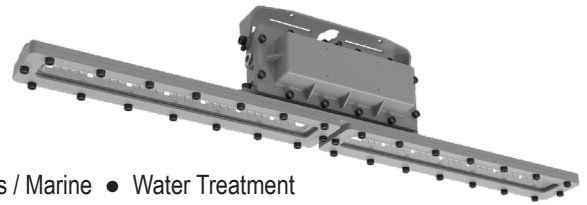
PERFORMANCE

| Source | Voltage (VAC) 50/60Hz | Input Current (A) | Wattage (W) | CCT | Lumen Output* (Lm) | |
|------------------|--------------------------|----------------------|----------------|--------|------------------------------|---------------|
| | | | | | Clear Lens | Diffused Lens |
| L2 | 120-277 | .66 - .29 | 80 | 3,000K | 9550 | 7600 |
| | | | | 4,000K | 9560 | 7520 |
| | | | | 5,000K | 10260 | 7750 |
| | | | | | Emergency Lumen Output* (Lm) | |
| | | | | 3,000K | 800 | 680 |
| | | | | 4,000K | 810 | 650 |
| | | | | 5,000K | 840 | 640 |
| * Nominal values | | | | | | |

LEXS-EM

EXPLOSION PROOF-EMERGENCY BACKUP

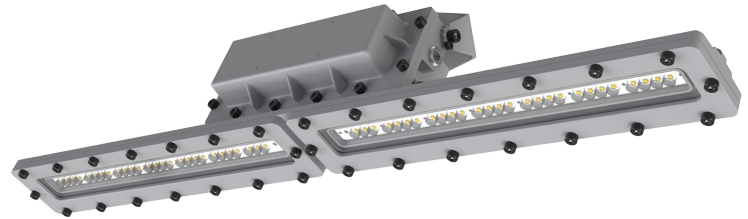
Paint/Powder Booths • Chemical Processing • Industrial • Oil / Gas • Shipyards / Marine • Water Treatment



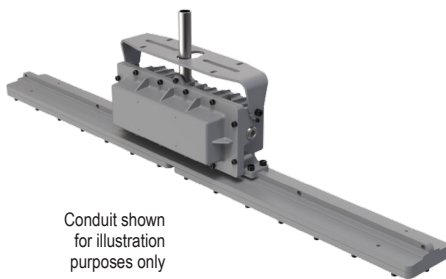
ACCESSORIES - (Field Installed, Order Separately)

| Part Number | Description | |
|-------------|---|--|
| PC01* | Pole Mount Pipe Clamp Kit Stainless Steel 1-7/8" Dia. Includes: 2 Clamps | |
| PC02* | Pole Mount Pipe Clamp Kit Stainless Steel 2-3/8" Dia. Includes: 2 Clamps | |
| HK04* | Hanging Mount Kit Stainless Steel M10 Eyebolts and nuts Includes: 2 Eyebolts | |

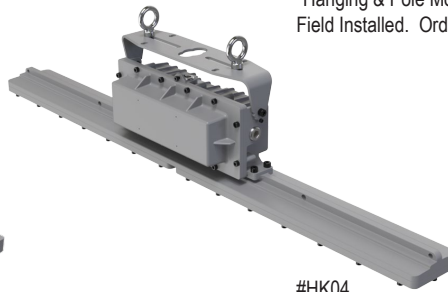
* Note: Stainless steel accessories not for use in paint spray applications



SUGGESTED MOUNTING

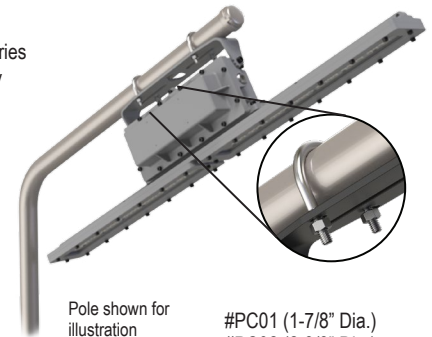


Ceiling / Wall / Pendant



Hanging

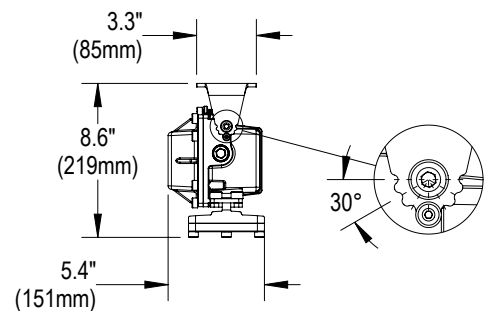
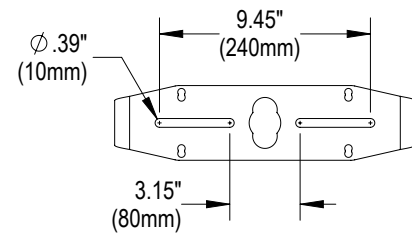
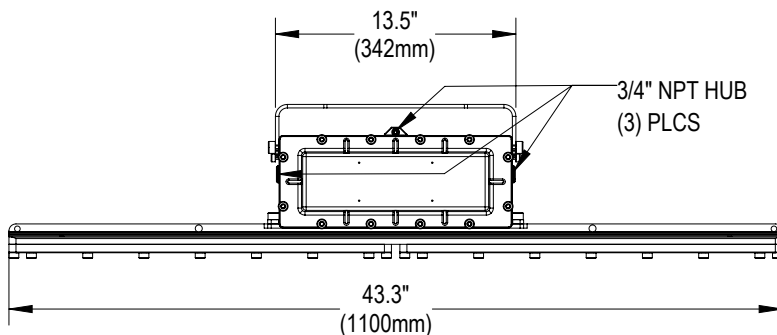
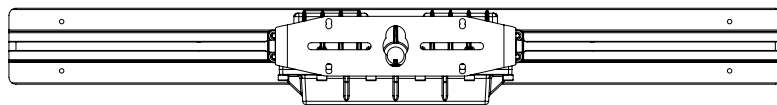
*Hanging & Pole Mount Accessories
Field Installed. Order Separately



#PC01 (1-7/8" Dia.)
#PC02 (2-3/8" Dia.)

Pole

DIMENSIONS



1-800-854-0021 www.ldpi-inc.com
LDPI® is a registered trademark of LDPI, Inc. © LDPI, Inc.

Product design and specifications subject to change without notice.
Visit www.ldpi-inc.com for the most current version and photometric data. v.05.05.21