

381 SERIES



Pendant Mount



Ceiling Mount
MUST have existing box



Box Mount



Bracket/Box Mount



VAPOR PROOF LIGHTING

- UL listed for U.S. and Canada
- Suitable for wet and non-hazardous locations
- Vapor proof incandescent/fluorescent lighting
- High pressure silicone internal gaskets
- Available in 120 volt
- Easy relamping with a single thumb screw
- Optional dome or angle reflector

APPLICATIONS

Waste Water Plants
Water Treatment/Storage
Boiler Rooms
Food Processing
Retail Stores
Commercial Applications
Wet and Damp Locations
Elevator Pits



www.ldpi-inc.com



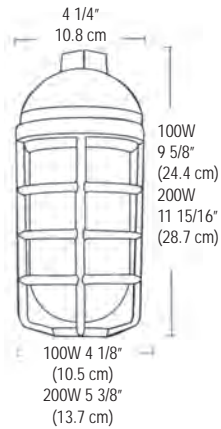
Bright Ideas Innovative Solutions



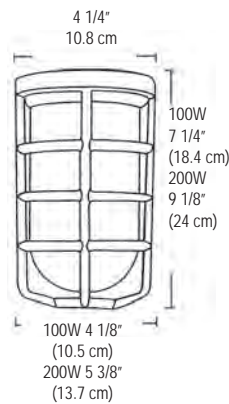
The 381 Series is cast aluminum in construction that allows for 13-22 watts in compact fluorescent lamps or up to 300 watts in incandescent lighting using a medium base socket. The product is suitable for wet locations and vapor-proof, making it easy to hose down for cleaning if necessary. The 381 Series is available in four mounting options and has optional dome and angle reflectors. Always install fixture lamp base up. Lamps included with 13W and 22W fluorescent only.

381 SERIES DIMENSIONS

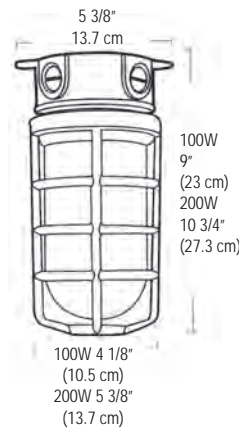
381 Pendant Mount



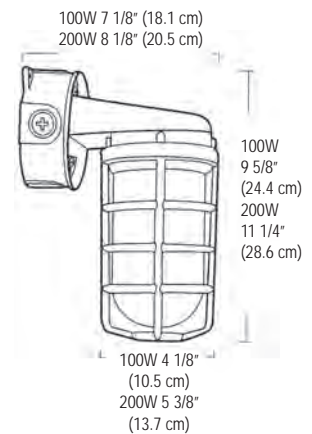
381 Ceiling Mount
MUST have existing box



381 Box Mount



381 Bracket/Box Mount



100 Series

Max Watts
150W Clear Glass
100W Colored Glass
75W Permaglobe

200 Series

Max Watts
200W Clear Glass
150W Colored Glass
100W Permaglobe

100 Series

Max Watts
100W Clear Glass
100W Colored Glass
75W Permaglobe

200 Series

Max Watts
150W Clear Glass
100W Colored Glass
100W Permaglobe

100 Series

Max Watts
150W Clear Glass
100W Colored Glass
75W Permaglobe

200 Series

Max Watts
300W Clear Glass
200W Colored Glass
100W Permaglobe

100 Series

Max Watts
150W Clear Glass
100W Colored Glass
75W Permaglobe

200 Series

Max Watts
300W Clear Glass
200W Colored Glass
100W Permaglobe

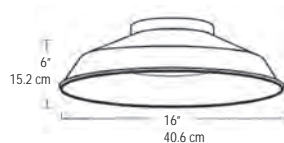
NOTE:

100W Incandescent and 13W Fluorescent are the same measurement
200W Incandescent and 22W Fluorescent are the same measurement

DIMENSIONS (Nominal)

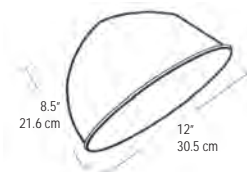
OPTIONAL REFLECTORS

Standard dome reflector



Direct light down with a dome reflector.
Highly reflective finish over heavy gauge aluminum base.
Field installation with 4 screws. **Does not fit bracket/box mount.**

Angle reflector



Direct light down and to the side with a 30° angle reflector.
Highly reflective white epoxy finish over heavy gauge aluminum base.
Field installation with 4 screws.



www.ldpi-inc.com
sales@ldpi-inc.com
1-800-854-0021
(F) 715-839-8145