

LETR Series Retrofit Adapter is designed for 1-for-1 retrofit installation and replacement traditional hazardous location fixtures with qualifying LDPI fixtures. LETR Retrofit adapter will allow facilities to utilize existing mounting, conduit and wiring systems to save time and money on new fixture installations.



Adapter shown with LEHL1



1 SERIES	2 TYPE
LETR	CH: Eaton's Crouse-Hinds – Champ® A2: Appleton® Mercmaster II A3: Appleton® Mercmaster III KL: Killark® Certilite® V TB: Thomas & Betts Hazlux® AB: Holophane® Petrolux II, III GE: GE Lighting Solutions –Filtr-Gard™

CERTIFICATIONS

UL514A
 UL844 listings with LEHL2/ LEHL1 / LEHF1
 Class I, Division 2, Groups A, B, C, D
 Class I, Zone 2 Group IIC
 Class II, Division 1, Groups E, F, G
 Class II Division 2, Groups F, G
 Class III
 UL1598 Suitable For Use In Wet Locations
 UL1598A Marine Outside Type(Salt Water)
 IP66 when used with compatible mounting hood

FEATURES

Allows end-user to retrofit energy efficient LED fixtures to pre-existing mounting hoods of conventional lighting units
 Utilize existing conduit and wiring systems for large cost savings
 One-person operation design for quick installation
 Adapter kit must be field installed and sold as accessory only

CONSTRUCTION

Copper-free aluminum housing
 Polyester powder coat finish in color RAL7037
 Silicone Gasket
 Stainless steel 316 external hardware

COMPATIBLE PRODUCTS



LEHL2 with LETR-TB



LEHL1 with LETR-TB



LEHF1 with LETR-TB

LETR

LED TRANSFORMER RETROFIT ADAPTER

Chemical Processing • Industrial • Oil / Gas • Shipyards / Marine • Water Treatment



RETROFIT OPTIONS



EATON'S CROUSE-HINDS-CHAMP®				
PENDANT	CEILING	WALL	STANCHION	QUAD MOUNT
APM2	CM2	TWM2	JM5	QM25
APM3	CM3	TWM3	PM5	
HPM2				

Ordering Code: LETR-CH



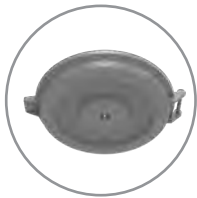
APPLETON® MERCMASTER III			
PENDANT	CEILING	WALL	STANCHION
KPA-75, 100	KPC-75	KPWB-75	KPS-125
KPAF-75, 100	KPC-100	KPWB-100	KPS-150
KPCH-75			KPST-125
			KPST-150

Ordering Code: LETR-A3



APPLETON® MERCMASTER II			
PENDANT	CEILING	WALL	STANCHION
LPA-75	LPC-75	LPWB-75	LPS-125
LPA-100	LPC-100	LPWB-100	LPS-150

Ordering Code: LETR-A2



KILLARK® CERTILITE® & CERTILITE® V			
PENDANT	CEILING	WALL	STANCHION
VMA2B & VMA-2	VMX2B & VMX-2	VMB2B & VMB-2	VMD4B
VMA3B & VMA-3	VMX3B & VMX-3	VMB3B & VMB-3	VMD5B
VMC2B & VMC-2	VMX6B, 7B, 8B, 9B		VMS5B
VMC3B & VMC-3			
VMF2B, 3B			

Ordering Code: LETR-KL



THOMAS & BETTS HAZLUX®				
PENDANT	PENDANT CONE	FLEXIBLE PENDANT	CEILING	WALL
VP2	VA2	VF2	VC2	VB2
VP3	VA3	VF3	VC3	VB3
WALL	25° ANGLE STANCHION	25° ANGLE STANCHION	STRAIGHT STANCHION	STRAIGHT STANCHION
VB2-VIB	VS4	VS4-VIB	VL4	VL4-VIB
VB3-VIB	VS5	VS5-VIB	VL5	VL5-VIB

Ordering Code: LETR-TB



HOLOPHANE® PETROLUX II, III				
PENDANT	UNIVERSAL	STANCHION	CEILING	WALL
PD	UN	SA	CD	WL
GH		ST	CE	W
P		A	B, C, D	

Ordering Code: LETR-AB

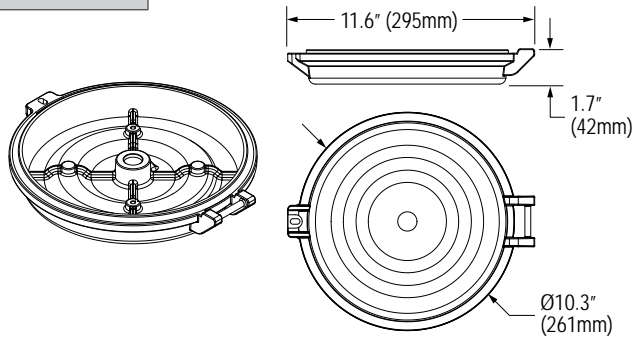


GE LIGHTING SOLUTIONS – FILTR-GARD™				
PENDANT	UNIVERSAL	STANCHION	CEILING	WALL
3P	3F	3C	3W	5S, 6S
4P	4F	4C	4W	5J, 6J

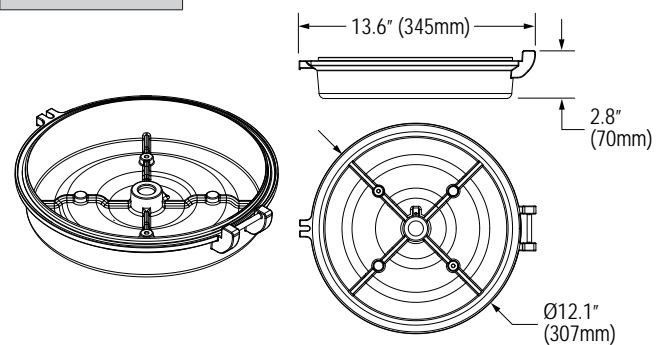
Ordering Code: LETR-GE



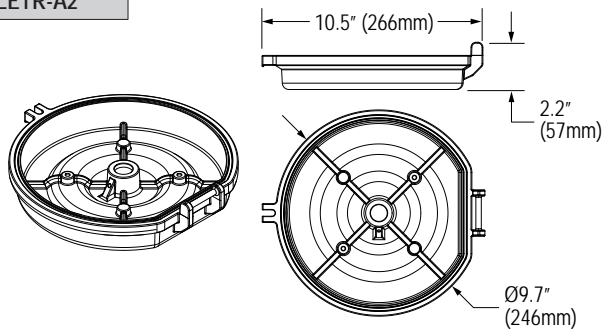
LETR-CH



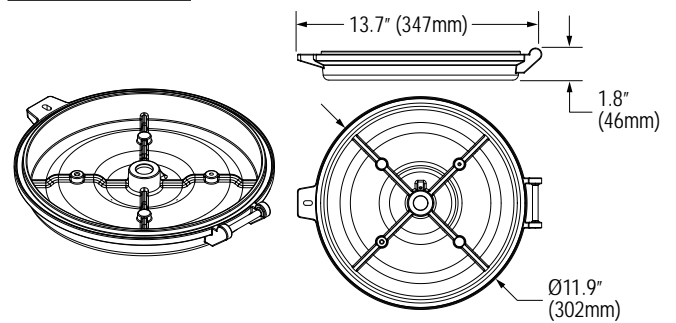
LETR-A3



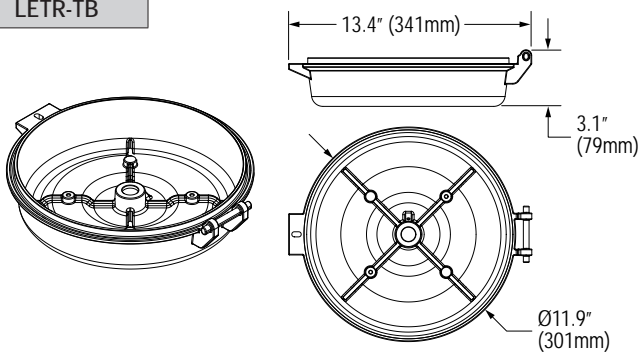
LETR-A2



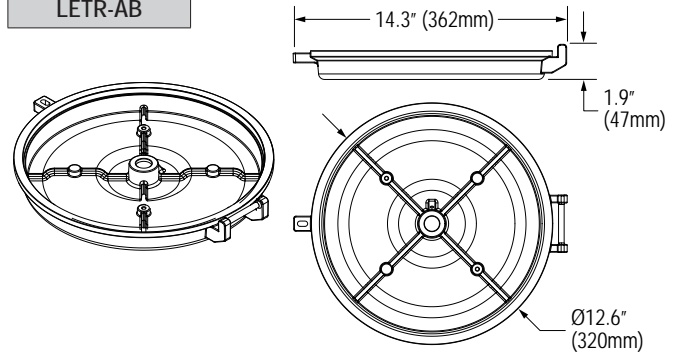
LETR-KL



LETR-TB



LETR-AB



LETR-GE

