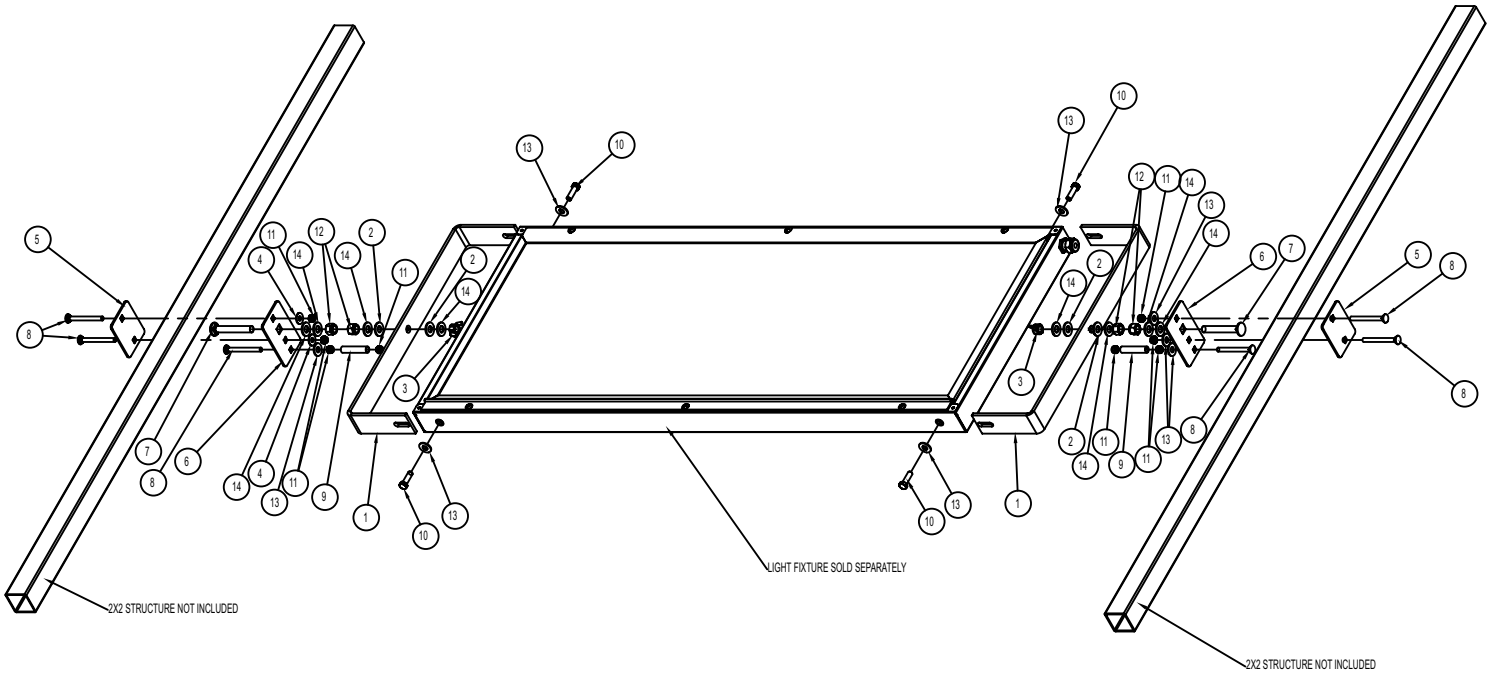
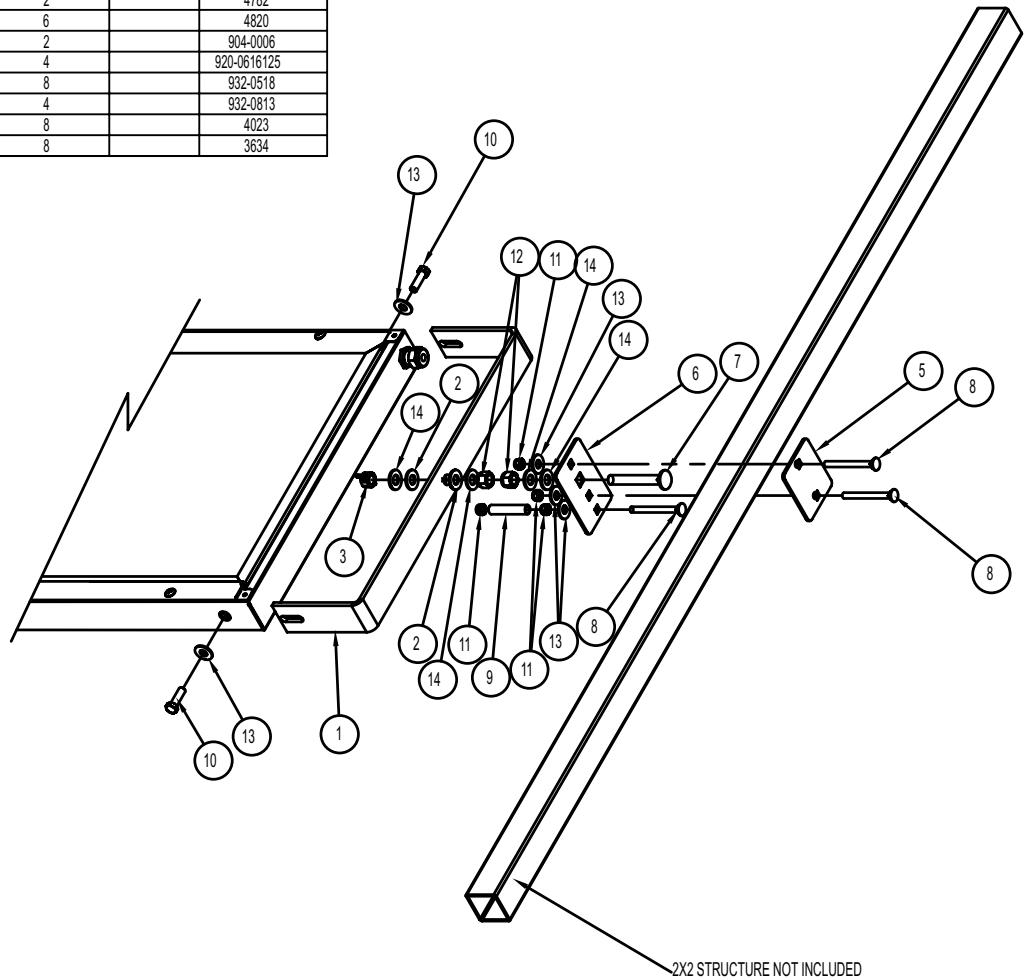


INSTALLATION INSTRUCTIONS FOR THE SWIVEL MOUNT KIT P/N 4828



ITEM NO.	DESCRIPTION	FINISHED QTY.	RAW QTY.	PART NUMBER
1	FIXTURE BRACKET	2		241-0576
2	RUBBER WASHER 1/2"ID X 1 1/16"OD	4		3777
3	WING NUT 1/2-13 UNC	2		3778
4	5/16 FLAT WASHER	2		4093
5	INSP. CART 2-HOLE	2		4762
6	INSP. CART 4-HOLE MOUNTING PLATE	2		4763
7	CARRIAGE BOLT 1/2-13 x 3 1/2	2		4782
8	CARRIAGE BOLT 5/16-18 x 3 1/4	6		4820
9	NYCOIL TUBING 1/2" X 2 3/8" LONG	2		904-0006
10	HHCS 3/8-16 x 1 1/4	4		920-0616125
11	LOCK NUT NYLON INSERT 5/16-18 UNC	8		932-0518
12	LOCK NUT NYLON INSERT 1/2-13 UNC	4		932-0813
13	FLAT WASHER 3/8	8		4023
14	FLAT WASHER 1/2" SAE ZINC	8		3634

△ CTRL# 09-639, 08/21/09 CFC, 4023 WAS 940-06



www.ldpi-inc.com