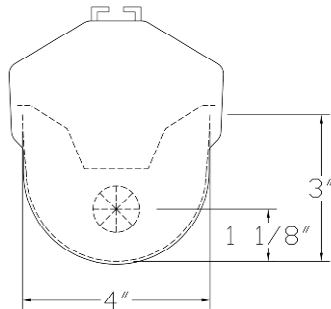
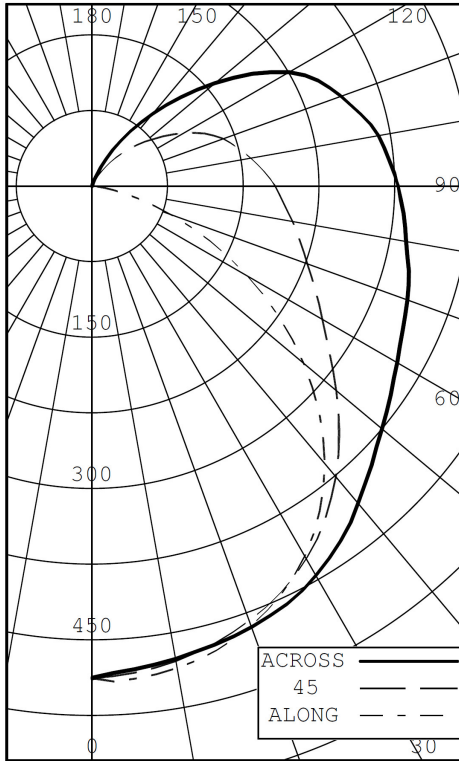




INDEPENDENT TEST LABORATORY REPORT No. 28331

LDPI INC - 4' FLUORESCENT LUMINAIRE, CAT# ISN2-T8-1L-4-UNV1-PB  
WITH SPECULAR REFLECTOR AND LINEAR PRISMATIC CURVED PLASTIC LENS  
ONE PHILIPS 32 WATT T8 LAMP, CAT# F32T8/TL850. LUMEN RATING = 2950 LMS.  
ONE PHILIPS ICN-2P32-N BALLAST OPERATING AT 120 VAC AND 34.6 WATTS



INTENSITY (CANDLEPOWER) SUMMARY						OUTPUT LUMENS
ANGLE	ALONG	22.5	45	67.5	ACROSS	
0	488	488	488	488	488	
5	491	486	485	484	481	47
15	477	471	470	472	471	133
25	445	440	444	454	457	206
35	394	390	403	422	430	254
45	318	324	346	379	391	271
55	226	245	287	342	361	261
65	129	165	244	315	339	238
75	48	103	214	297	325	212
85	6	65	190	279	310	189
90	0	54	181	272	303	
95	0	46	171	264	296	171
105	0	34	149	242	276	149
115	0	25	124	216	247	121
125	0	17	86	165	194	82
135	0	8	52	104	125	44
145	0	1	23	50	66	18
155	0	0	4	14	21	4
165	0	0	0	0	0	0
175	0	0	0	0	0	0
180	0	0	0	0	0	0

ZONAL LUMENS AND PERCENTAGES

ZONE	LUMENS	% LAMP	% LUMINAIRE
0-30	386	13.08	16.08
0-40	640	21.69	26.67
0-60	1172	39.73	48.83
0-90	1811	61.39	75.46
40-90	1171	39.69	48.79
60-90	639	21.66	26.62
90-180	589	19.96	24.54
0-180	2400	81.35	100.00

\*\* EFFICIENCY: 81.4% \*\*

LUMINOUS LENGTH: 48.500 INS  
WIDTH: 4.000 INS

LUMINANCE SUMMARY CD./SQ.M.

ANGLE	ALONG	45	ACROSS
45	3597	2567	2536
55	3151	2283	2438
65	2443	2166	2469
75	1472	2215	2649
85	533	2479	2978

S/MH: 1.4  
SC (ALONG): 1.3, SC (ACROSS): 1.4

CERTIFIED BY:  
*Ryder Tunney* DATE: JAN 4, 2011  
PREPARED FOR:  
LDPI INC  
EAU CLAIRE, WI

LIGHTING SCIENCES, INC.  
 7826 E. EVANS RD.  
 SCOTTSDALE, AZ, USA 85260

INDEPENDENT TEST LABORATORY REPORT No. 28331

LDPI INC - 4' FLUORESCENT LUMINAIRE, CAT# ISN2-T8-1L-4-UNV1-PB  
 WITH SPECULAR REFLECTOR AND LINEAR PRISMATIC CURVED PLASTIC LENS  
 ONE PHILIPS 32 WATT T8 LAMP, CAT# F32T8/TL850. LUMEN RATING = 2950 LMS.  
 ONE PHILIPS ICN-2P32-N BALLAST OPERATING AT 120 VAC AND 34.6 WATTS

INTENSITY (CANDLEPOWER) DATA

ANGLE	PLANE						OUTPUT LUMENS
	ALONG	22.5	45	67.5	ACROSS	AVERAGE	
0	488	488	488	488	488	488	
5	491	486	485	484	481	485	47
10	486	481	479	478	476	480	
15	477	471	470	472	471	472	133
20	463	458	458	464	465	461	
25	445	440	444	454	457	448	206
30	422	418	426	441	445	429	
35	394	390	403	422	430	407	254
40	359	359	376	401	410	380	
45	318	324	346	379	391	351	271
50	274	285	316	358	375	321	
55	226	245	287	342	361	292	261
60	177	204	263	328	349	265	
65	129	165	244	315	339	240	238
70	85	131	227	306	332	218	
75	48	103	214	297	325	200	212
80	22	81	202	287	316	185	
85	6	65	190	279	310	173	189
90	0	54	181	272	303	165	
95	0	46	171	264	296	157	171
100	0	39	160	255	289	150	
105	0	34	149	242	276	141	149
110	0	29	138	230	262	132	
115	0	25	124	216	247	122	121
120	0	21	105	193	226	108	
125	0	17	86	165	194	91	82
130	0	13	69	134	159	74	
135	0	8	52	104	125	57	44
140	0	4	37	76	94	41	
145	0	1	23	50	66	27	18
150	0	0	12	30	42	16	
155	0	0	4	14	21	7	4
160	0	0	0	4	7	2	
165	0	0	0	0	0	0	0
170	0	0	0	0	0	0	
175	0	0	0	0	0	0	0
180	0	0	0	0	0	0	

LIGHTING SCIENCES, INC.  
 7826 E. EVANS RD.  
 SCOTTSDALE, AZ, USA 85260

INDEPENDENT TEST LABORATORY REPORT No. 28331

LDPI INC - 4' FLUORESCENT LUMINAIRE, CAT# ISN2-T8-1L-4-UNV1-PB  
 WITH SPECULAR REFLECTOR AND LINEAR PRISMATIC CURVED PLASTIC LENS  
 ONE PHILIPS 32 WATT T8 LAMP, CAT# F32T8/TL850. LUMEN RATING = 2950 LMS.  
 ONE PHILIPS ICN-2P32-N BALLAST OPERATING AT 120 VAC AND 34.6 WATTS

AVERAGE LUMINANCE DATA

CD./SQ.M (FOOTLAMBERTS)

ANGLE	ALONG	22.5	45	67.5	ACROSS
0	3899 ( 1138)	3899 ( 1138)	3899 ( 1138)	3899 ( 1138)	3899 ( 1138)
30	3897 ( 1137)	3315 ( 967)	3014 ( 879)	2910 ( 849)	2865 ( 836)
40	3739 ( 1091)	3028 ( 883)	2714 ( 792)	2654 ( 774)	2626 ( 766)
45	3597 ( 1050)	2849 ( 831)	2567 ( 749)	2537 ( 740)	2536 ( 740)
50	3403 ( 993)	2651 ( 773)	2405 ( 702)	2446 ( 713)	2460 ( 718)
55	3151 ( 919)	2422 ( 706)	2283 ( 666)	2401 ( 701)	2438 ( 711)
60	2835 ( 827)	2184 ( 637)	2196 ( 641)	2385 ( 696)	2426 ( 708)
65	2443 ( 713)	1929 ( 563)	2166 ( 632)	2406 ( 702)	2469 ( 720)
70	1979 ( 577)	1717 ( 501)	2167 ( 632)	2462 ( 718)	2536 ( 740)
75	1472 ( 429)	1544 ( 450)	2215 ( 646)	2566 ( 749)	2649 ( 773)
80	1000 ( 291)	1430 ( 417)	2322 ( 677)	2681 ( 782)	2766 ( 807)
85	533 ( 155)	1398 ( 408)	2479 ( 723)	2879 ( 840)	2978 ( 869)

LIGHTING SCIENCES, INC.  
 7826 E. EVANS RD.  
 SCOTTSDALE, AZ, USA 85260

INDEPENDENT TEST LABORATORY REPORT No. 28331

LDPI INC - 4' FLUORESCENT LUMINAIRE, CAT# ISN2-T8-1L-4-UNV1-PB  
 WITH SPECULAR REFLECTOR AND LINEAR PRISMATIC CURVED PLASTIC LENS  
 ONE PHILIPS 32 WATT T8 LAMP, CAT# F32T8/TL850. LUMEN RATING = 2950 LMS.  
 ONE PHILIPS ICN-2P32-N BALLAST OPERATING AT 120 VAC AND 34.6 WATTS

COEFFICIENTS OF UTILIZATION

ZONAL CAVITY METHOD

EFFECTIVE FLOOR CAVITY REFLECTANCE = .20

CC WALL	90				80				70				50				30				10				0	
	70	50	30	10	70	50	30	10	70	50	30	10	50	30	10	50	30	10	50	30	10	50	30	10	0	
RCR	0	0.970	.970	.970	.97	0.920	.920	.920	.92	0.880	.880	.880	.88	0.790	.790	.79	0.720	.720	.72	0.650	.650	.65	0.61			
1	0.860	.810	.770	.73	0.820	.770	.730	.70	0.780	.740	.700	.66	0.660	.640	.61	0.600	.580	.55	0.540	.520	.50	0.47				
2	0.780	.700	.630	.57	0.740	.670	.600	.55	0.700	.630	.580	.53	0.570	.530	.49	0.510	.480	.45	0.460	.430	.41	0.38				
3	0.710	.610	.530	.47	0.670	.580	.510	.46	0.630	.550	.490	.44	0.500	.450	.41	0.450	.410	.37	0.410	.370	.34	0.32				
4	0.650	.540	.460	.40	0.610	.510	.440	.38	0.580	.490	.420	.37	0.440	.390	.34	0.400	.350	.32	0.360	.320	.29	0.27				
5	0.590	.470	.390	.33	0.560	.450	.380	.32	0.530	.430	.360	.31	0.390	.330	.29	0.350	.300	.27	0.320	.280	.25	0.22				
6	0.540	.420	.340	.29	0.510	.400	.330	.28	0.480	.380	.320	.27	0.350	.290	.25	0.320	.270	.23	0.290	.240	.21	0.19				
7	0.500	.380	.300	.25	0.470	.360	.290	.24	0.450	.340	.280	.23	0.310	.260	.22	0.280	.240	.20	0.260	.220	.18	0.17				
8	0.460	.340	.260	.21	0.440	.320	.250	.21	0.410	.310	.240	.20	0.280	.230	.19	0.260	.210	.17	0.230	.190	.16	0.14				
9	0.420	.310	.230	.18	0.400	.290	.220	.18	0.380	.280	.220	.17	0.250	.200	.16	0.230	.180	.15	0.210	.170	.14	0.12				
10	0.390	.280	.200	.16	0.370	.270	.200	.16	0.350	.250	.190	.15	0.230	.180	.14	0.210	.160	.13	0.190	.150	.12	0.11				

LUMINAIRE INPUT WATTS 34.6

LABORATORY RESULTS MAY NOT BE REPRESENTATIVE OF FIELD PERFORMANCE.  
 BALLAST AND FIELD FACTORS HAVE NOT BEEN APPLIED.

TEST DISTANCE EXCEEDS FIVE TIMES THE GREATEST  
 LUMINOUS OPENING OF LUMINAIRE.