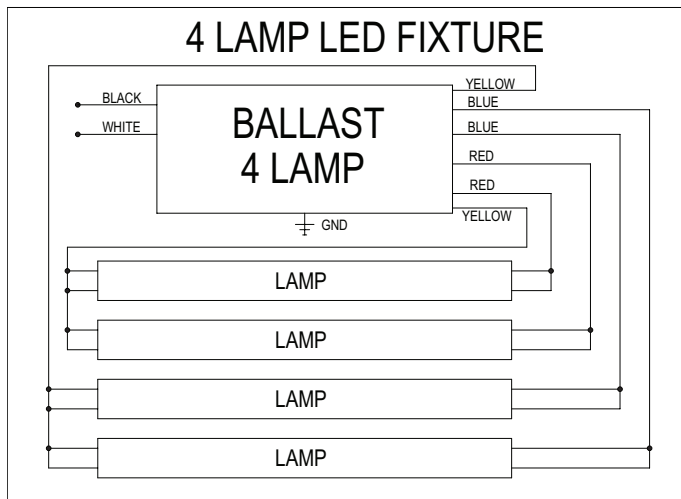
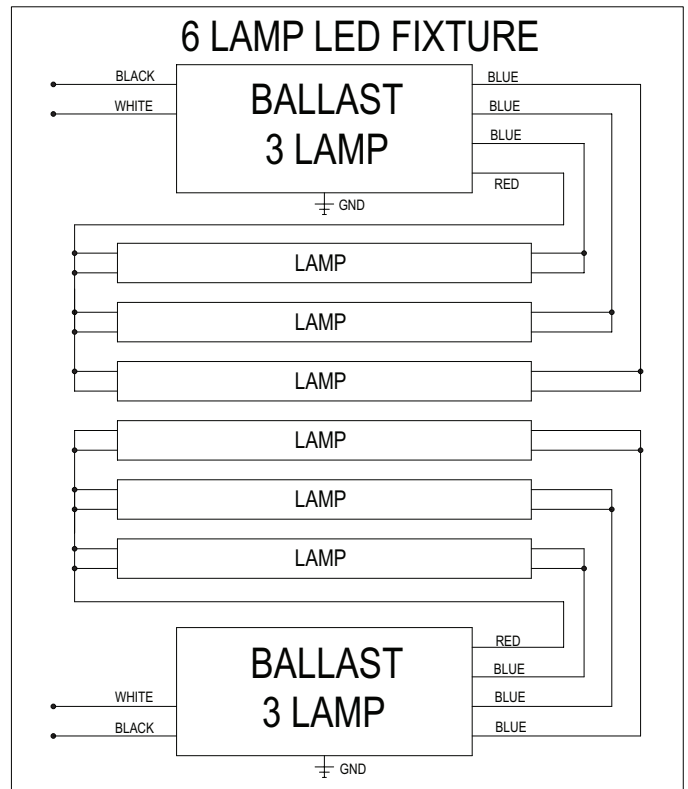
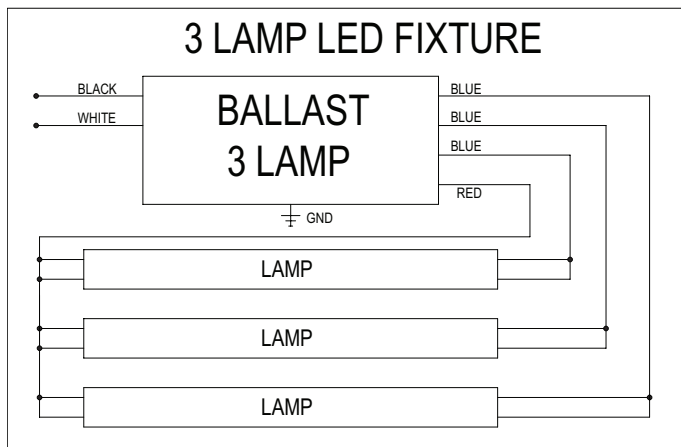
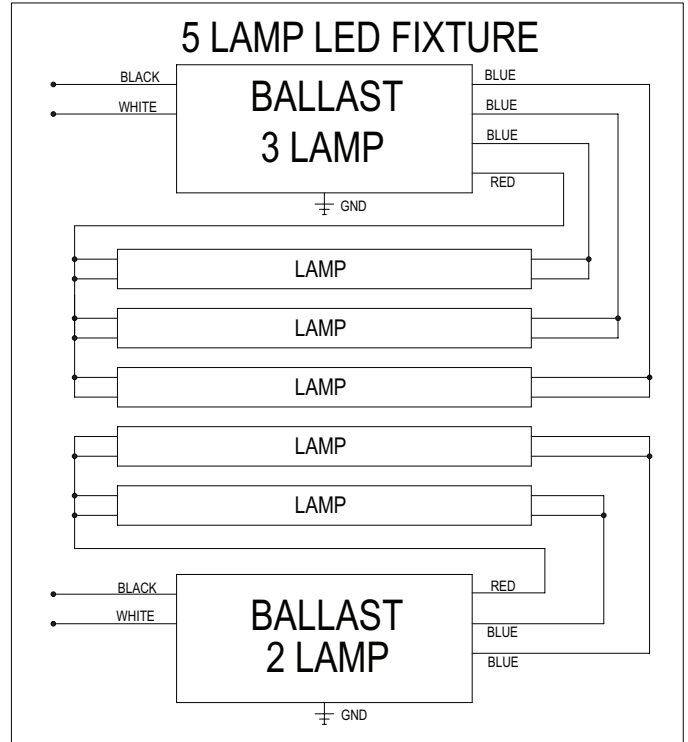
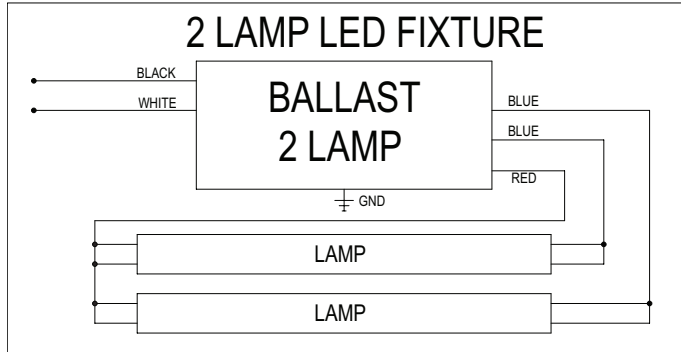


# WIRING SCHEMATIC

**NOTE:** REFER TO DIAGRAM ON BALLAST WITH SPECIFIC WIRING DETAILS

THIS FIXTURE SHOULD BE INSTALLED BY QUALIFIED TECHNICIANS IN STRICT ACCORDANCE WITH THE NATIONAL ELECTRIC CODE AND ANY LOCAL REQUIREMENTS.

## INSTANT START BALLASTS



LDPI, Inc.  
Eau Claire, WI 54703  
Web: [www.ldpi-inc.com](http://www.ldpi-inc.com)

1-800-854-0021  
E-mail: [sales@ldpi-inc.com](mailto:sales@ldpi-inc.com)