

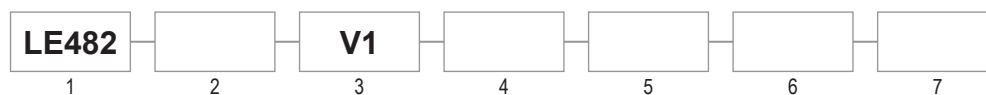


# LE482

## LED BOOTH LIGHTING - REAR ACCESS

Paint and Powder Booths • Blast Booths • Clean Rooms • Prep • Sanding

The LE482 Series is a hinged, **REAR ACCESS**, recessed mount, LED paint booth luminaire. The LE482 is made of a combination of 20 gauge cold rolled steel and .090 aluminum. This LED fixture is available in 4 Ft. lengths with 1, 2, or 3 rows of LEDs; replacing your standard 2, 4, and 6 lamp fluorescent fixture. This fixture can be used with or without optics, has dimming capabilities, and is available with an EM option.



1 SERIES	2 SOURCE	3 VOLTAGE	4 OPTICS	5 DIMMING	6 CCT	7 OPTIONS
<b>LE482</b>	58: 58W / 1 Row 73: 73W / 1 Row 115: 115W / 2 Rows 145: 145W / 2 Rows 172: 172W / 3 Rows 218: 218W / 3 Rows	<b>V1:</b> 120-277VAC (50/60Hz)	<b>Blank:</b> None <b>A:</b> Diffused Acrylic	<b>Blank:</b> None <b>D1:</b> 0-10V	3: 3,500K 4: 4,000K 5: 5,000K	<b>SP:</b> Surge Protector (430 joules) <b>EM:</b> Battery/Driver Backup (90min.)

### CERTIFICATIONS

UL844 / CSA-C22.2 No.137 (Hazardous)  
 CI D2, Grps A,B,C,D  
 CII D2, Grps F,G  
 Paint Spray Listed  
 T Code: CI D2, CII D2=T3C (T3C w/ EM option)  
 UL1598 / CSA-C22.2 No.250 (Wet/Damp)  
 Lumen Maintenance (L70) >54,000 hrs. (reported)  
 CRI >80  
 -30°C to 55°C Ambient

### CONSTRUCTION

20 gauge white powder coated steel housing  
 Hinged, rear access panel  
 Silicone free gaskets  
 Acrylic diffused lens (optional)  
 4 Ft. length (nominal)  
 Clear tempered glass panel  
 1/2" NPT Hub(s)  
 Weights: Min: 47lbs. / Max: 71lbs.

### ELECTRICAL

120-277VAC  
 8Ft. 3-wire whip (standard)

### FEATURES

0-10V Dimming  
 Recess mount - Rear access  
 Withstands up to 71°C bake cycle for 90 minutes with fixture power interlock off  
 Emergency/Battery backup option available  
 Fits the same opening as Slim Light Series  
 5 year warranty

\*These products are Manufactured in the USA with both domestic and imported components; not all fixture configurations are compliant. Contact LDPI Sales with specific part number and requirement - Build America, Buy America, TAA or any other federal procurement act for compliance confirmation. Compliance confirmation can take up to 3 days.

### PERFORMANCE

Source	Voltage (VAC) 50/60Hz	Input Current (A)	Wattage (W)	CCT	Lumen Output* (Lm)	
					No Lens	Diffused Lens
58 (1 Row)	120-277	.49-.22	58	3,500K	6780	5470
				4,000K	6990	5640
				5,000K	6990	5640
73 (1 Row)		.61-.28	73	3,500K	8440	6820
				4,000K	8700	7030
				5,000K	8700	7030
115 (2 Rows)		.97-.44	115	3,500K	13550	10940
				4,000K	13970	11280
				5,000K	13970	11280
145 (2 Rows)	1.22-.55	145	3,500K	16880	13630	
			4,000K	17400	14050	
			5,000K	17400	14050	
172 (3 Rows)	1.45-.65	172	3,500K	20330	16410	
			4,000K	20960	16920	
			5,000K	20960	16920	
218 (3 Rows)	1.84-.83	218	3,500K	25320	20440	
			4,000K	26100	21080	
			5,000K	26100	21080	

Emergency Lumen Output	
Diffused Lens	2150
No Lens	2470

\*Nominal values

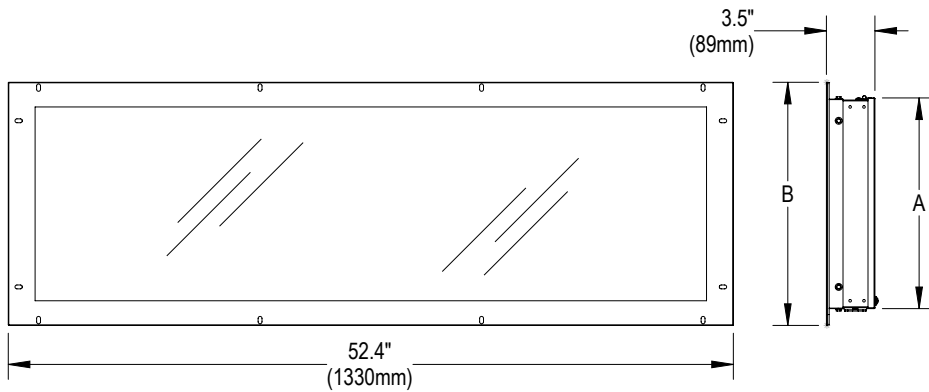
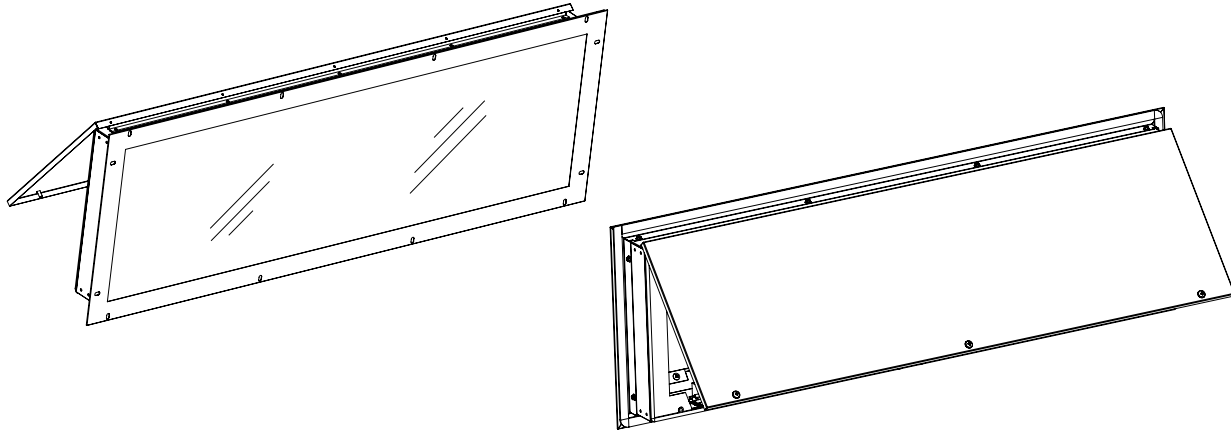
# LE482

## LED BOOTH LIGHTING - REAR ACCESS

Paint and Powder Booths • Blast Booths • Clean Rooms • Prep • Sanding

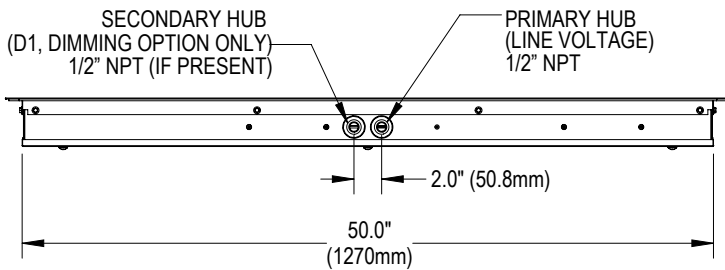


### DIMENSIONS



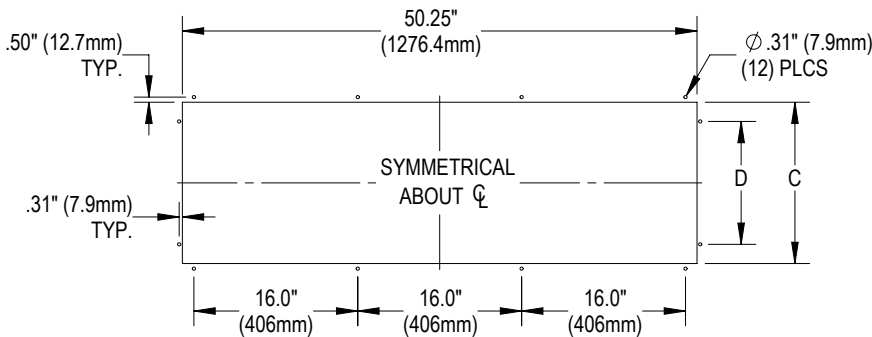
Source	Dimensions* (in./mm)	
	A	B
58 (1 Row)	10.0" / 254	13.0" / 330
73 (1 Row)		
115 (2 Rows)	15.0" / 381	18.0" / 457
145 (2 Rows)		
172 (3 Rows)	20.0" / 508	23.0" / 584
218 (3 Rows)		

\* Nominal dimensions



Consult factory for custom hub locations

### PANEL CUTOUT DIMENSIONS



Source	Dimensions* (in./mm)	
	C	D
58 (1 Row)	10.75" / 273	7.0" / 178
73 (1 Row)		
115 (2 Rows)	15.75" / 400	12.0" / 305
145 (2 Rows)		
172 (3 Rows)	20.75" / 527	17.0" / 432
218 (3 Rows)		

\* Actual dimensions



1-800-854-0021 www.ldpi-inc.com  
LDPI® is a registered trademark of LDPI, Inc. © LDPI, Inc.

Product design and specifications subject to change without notice.  
Visit www.ldpi-inc.com for the most current version and photometric data. v.03.26.26