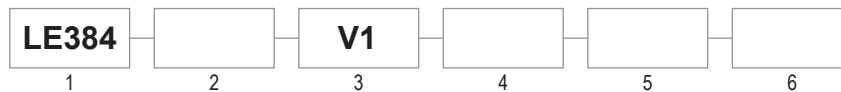


Meets all Coast Guard specifications. Streamlined design provides eye appeal and ruggedness. Designed to withstand strong vibration. T4 (135° C) operating code. Adjustable mounting brackets included. Available with optional emergency battery backup (90min.)



Shown with diffused lens



1 SERIES	2 SOURCE	3 VOLTAGE	4 CCT	5 LENS	6 OPTIONS
LE384	L1: 2 Ft. 34W L2: 4 Ft. 67W	V1: 120-277VAC (50/60Hz)	4: 4,000K 5: 5,000K	BLANK: None 120° D: Diffused 120°	Blank: None EM: Battery Backup (90min.) UL924

### CERTIFICATIONS

UL 844 / CSA 22.2 No.137.0 (Hazardous Location)  
 Cl D2, Grps A,B,C,D  
 T-Codes: Cl D2=T4  
 UL 1598 / CSA 22.2 No.250 (Wet / Damp)  
 UL 1598A Marine Outside (Marine)  
 Lumen Maintenance (L70) 54,000 hrs. (reported)  
 CRI>80  
 -30°C to 40°C Ambient

### CONSTRUCTION

Corrosion resistant, copper free aluminum  
 1/8" Clear acrylic, heat and shatter resistant protective lens.  
 Zinc plated latches  
 3/4" NPT hubs  
 Neoprene gasket  
 Weights: 2 Ft: (23lbs.) 4Ft: (32lbs.)

### ELECTRICAL

120-277VAC

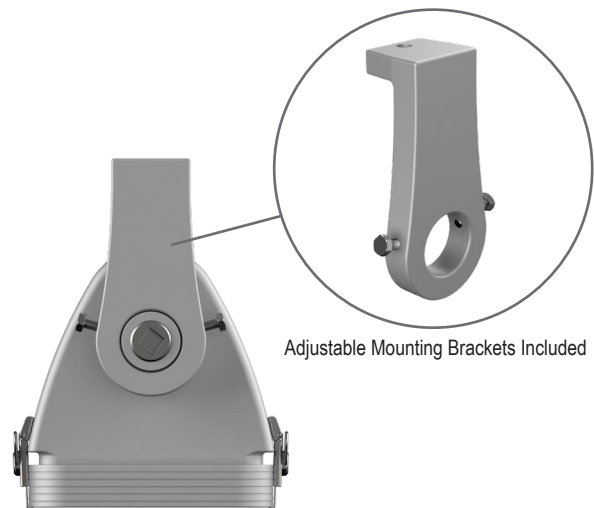
### FEATURES

Adjustable mounting brackets (included)  
 Optional Emergency Battery Backup (90min.)  
 5 Year Warranty

### PERFORMANCE

Source	Voltage (VAC) 50/60Hz	Input Current (A)	Wattage (W)	CCT	Lumens* (Lm)	
					Blank	Diffused
L1	120-277	.28 - .12	34	4,000K	3,660	2,970
				5,000K	3,730	3,030
L2		4,000K	7,300	5,930		
		5,000K	7,450	6,050		

\*Nominal values



Adjustable Mounting Brackets Included

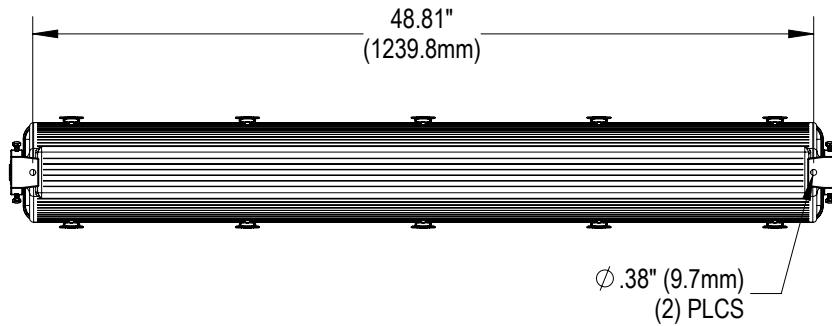
# LE384

## HAZARDOUS LIGHTING

Oil/Gas • Pulp/Paper • Shipyards/Marine • Water Treatment • Drill Rigs • Offshore Platforms



### DIMENSIONS



Nominal Dimensions (in./mm)		
Source	A	B
L1 (2Ft.)	27.6" / 700mm	26.0" / 660mm
L2 (4Ft.)	51.6" / 1310mm	50.0" / 1270mm

