



INSTALLATION, OPERATION AND MAINTENANCE INSTRUCTIONS

LE155 OPEN FRAME, LED LIGHT FIXTURE FOR ORDINARY LOCATIONS ONLY

WARNING!

1. TO PREVENT THE RISK OF ELECTRICAL SHOCK DEACTIVATE/DISCONNECT THE POWER SUPPLY BEFORE INSTALLING OR RELAMPING FIXTURE.
2. THE DRIVER IN THIS FIXTURE IS DESIGNED TO OPERATE ON GROUNDED NEUTRAL SYSTEMS ONLY.
3. THIS FIXTURE SHOULD BE INSTALLED BY QUALIFIED TECHNICIANS IN STRICT ACCORDANCE WITH THE NATIONAL ELECTRICAL CODE AND ANY LOCAL REQUIREMENTS.

ORDINARY LOCATION APPLICATIONS ONLY

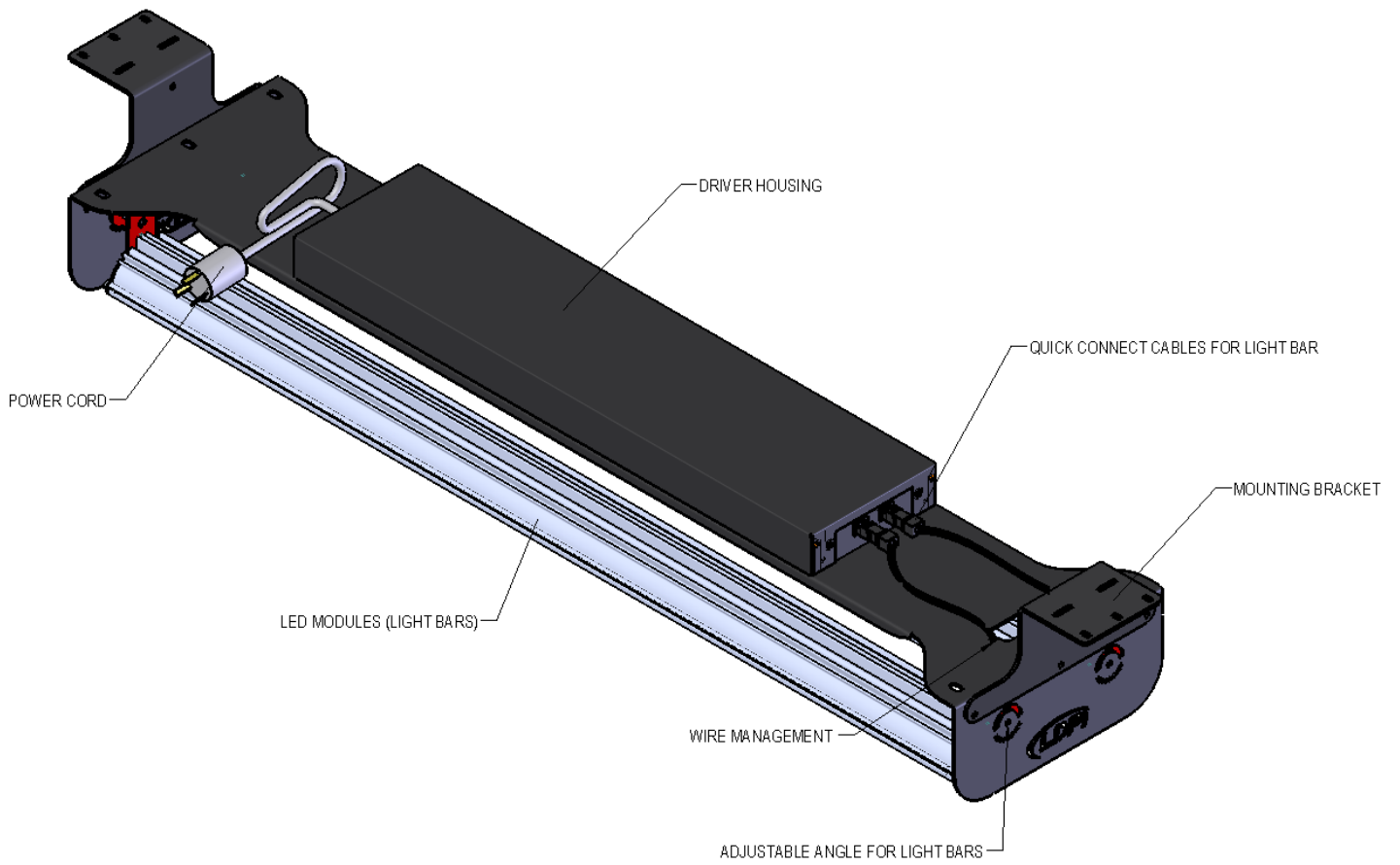
The fixture should be mounted to structure utilizing the mounting brackets of the fixture in an ordinary location environment ONLY.

OPERATIONAL DATA

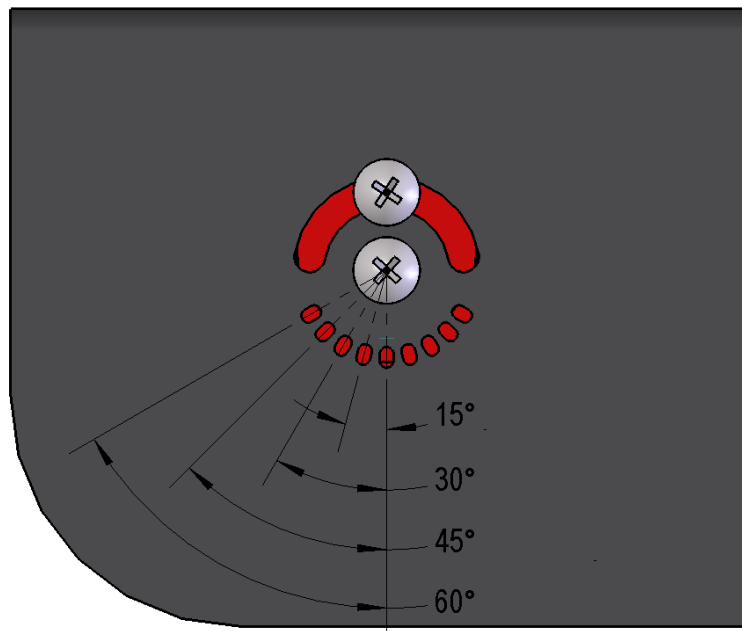
Operate this fixture at its rated voltage. See fixture label for data. Do not install where the marked operating temperature exceeds the ignition temperature of the hazardous atmospheres.

INSTALLATION

1. Mark and drill holes in structure where fixture is to be mounted, hole pattern and locations are based on mounting brackets
2. Place fixture onto structure so holes line up with mounting brackets and secure with bolts.
3. Plug power cord into wall socket.

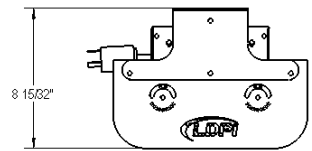
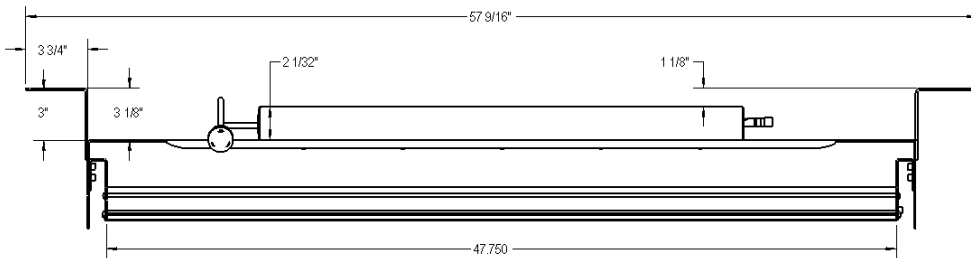
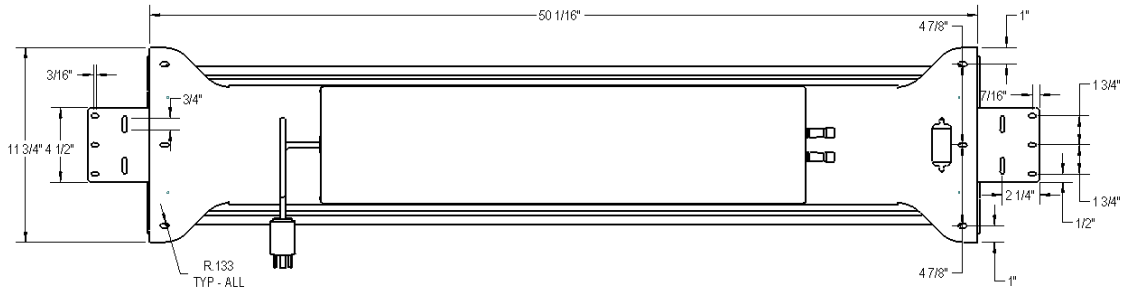


ADJUSTABLE ANGLE OPTIONS

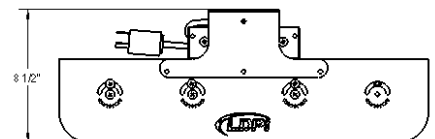
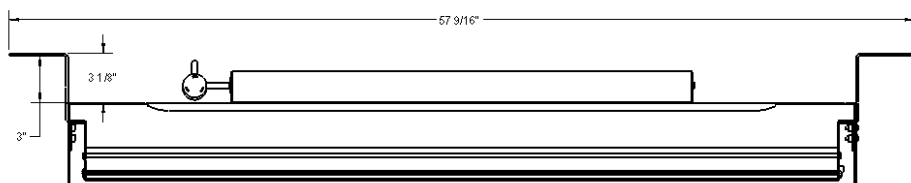
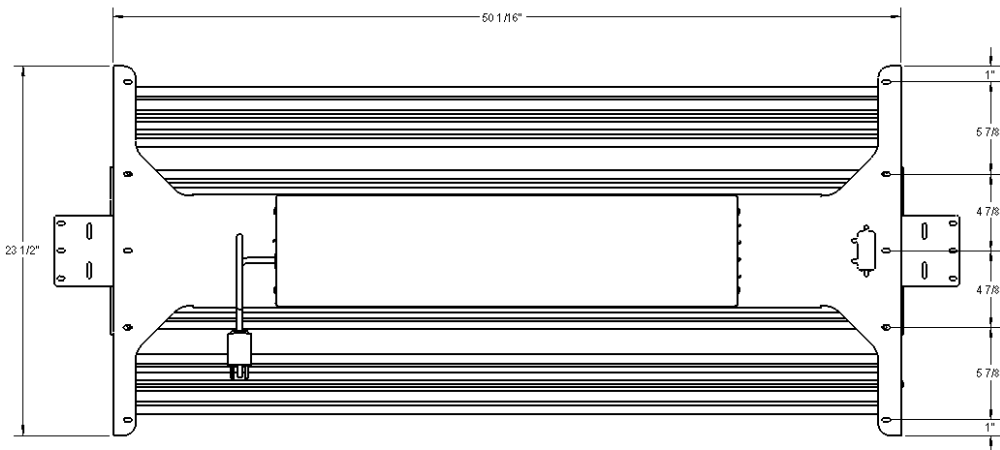


Adjustable Surface mount

Two row



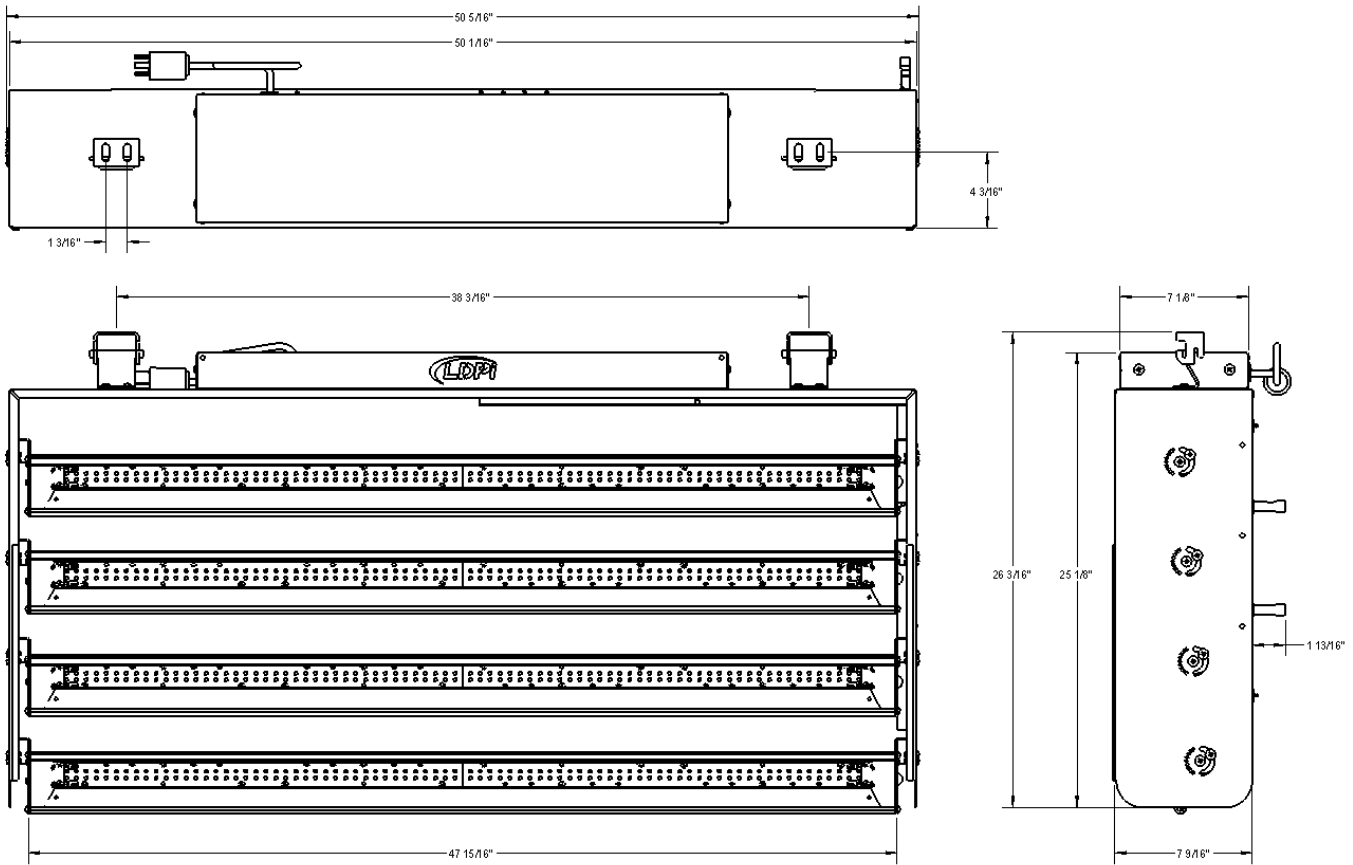
Four row



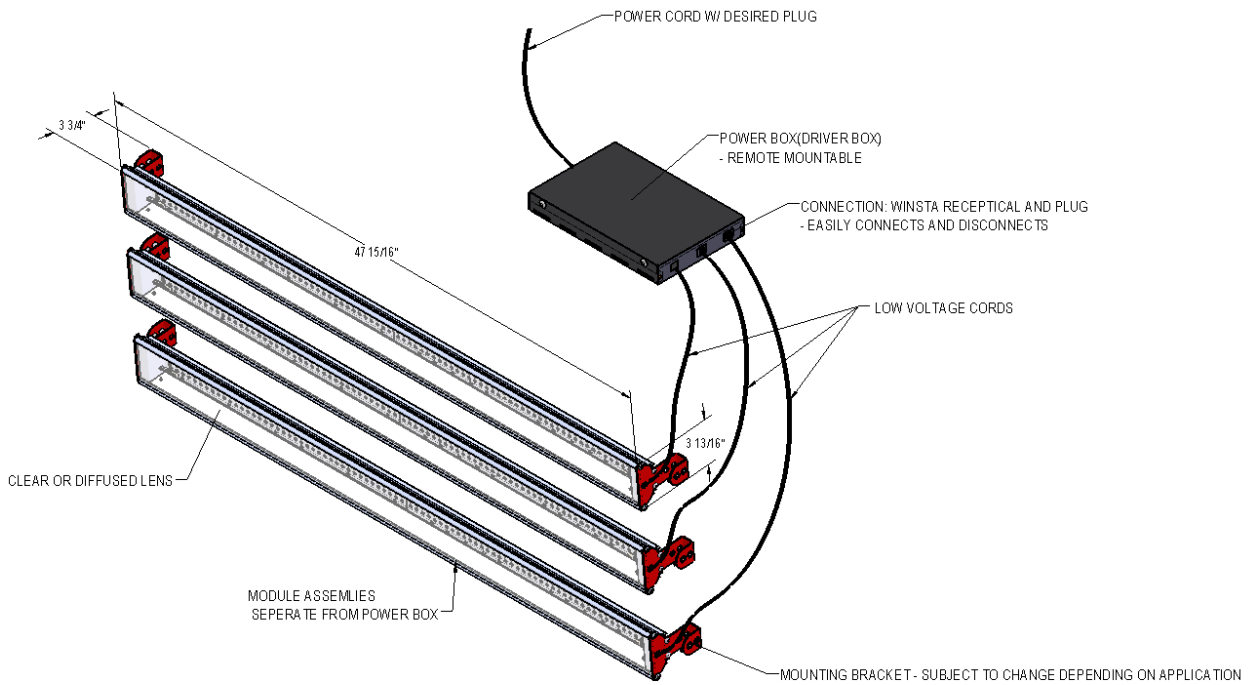
Dimensions missing on four row are same as two row.

Hanging Yoke mount

Four row



Universal Mount



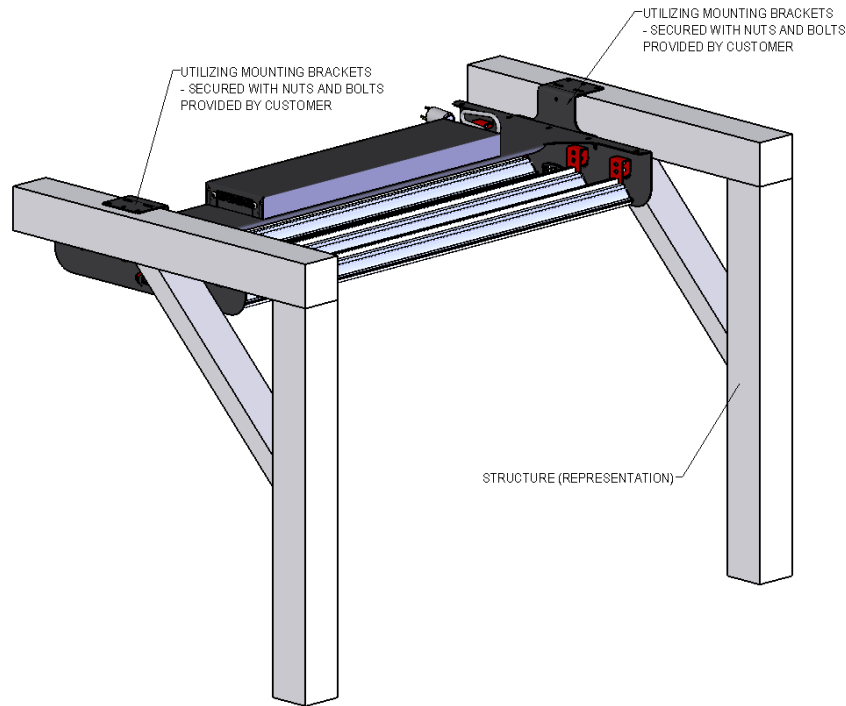
- 3 MODULES ARE SHOWN, MAXIMUM NUMBER OF MODULES ARE FOUR PER DRIVER BOX

MOUNTING

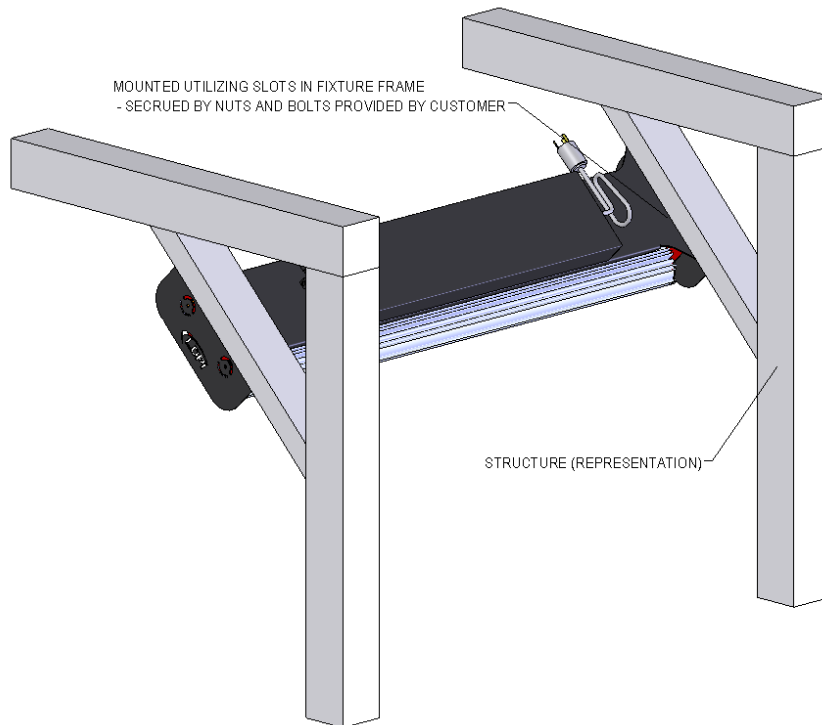
FIXTURE IS TO BE MOUNTED TO STRUCTURE OR HUNG USING THE MOUNTING BRACKET OR FRAME OF FIXTURE.

Must be mounted to structure in NON hazardous locations only. Top of fixture not to come in contact with ceiling.

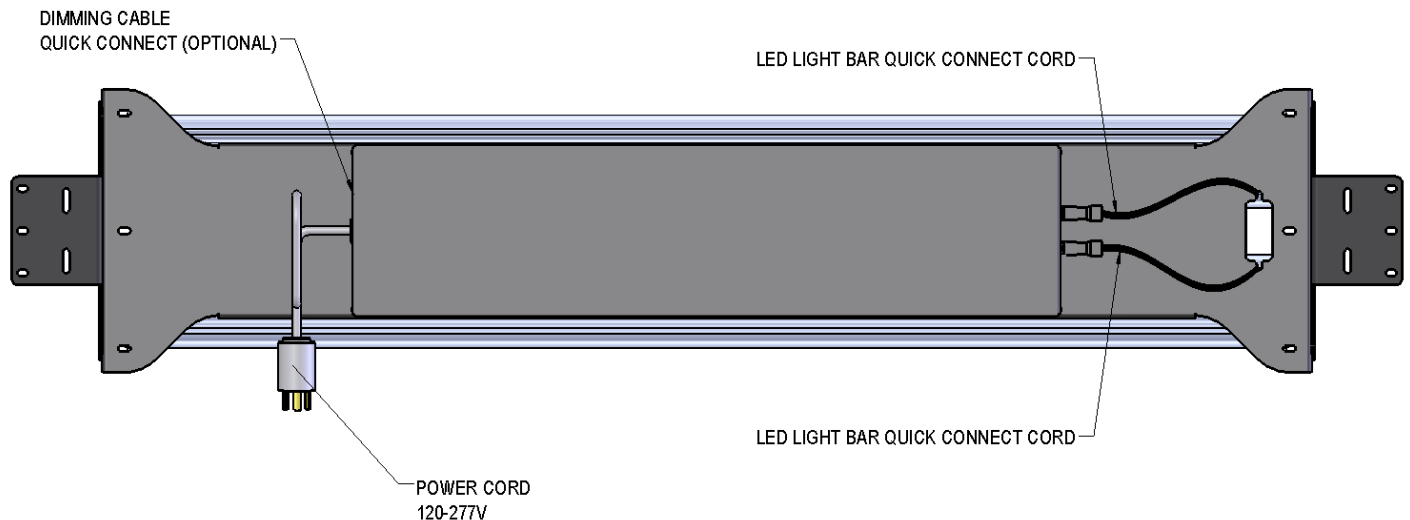
STRUCTURE MOUNT - BRACKETS



STRUCTURE MOUNT - SURFACE "HIP" STYLE



WIRING SCHEMATIC - TYPICAL:



CAUTION:

Overloading the switch circuits **WILL** cause failure.
LDPI, Inc. recommends having a certified electrician/engineer review loads to ensure that overloading of switch does not occur.

MAINTENANCE DATA

1. Although no routine maintenance is required to keep this fixture functional, it should be checked periodically to ensure that it is working properly and to look for any external damage.
2. For optimum performance, keep light transmission parts of fixture clean.
3. In the event of an LED failure the light bar or LED module containing said failure can be disconnected from the driver housing using the quick connection. Remove all bolts (2) from each end of the light bar and remove faulty light bar. **Caution: make sure light bar is supported by operator when removing so it does not fall.** New light bar can be installed in place of defective one, re-fasten all screws and connect to driver housing.

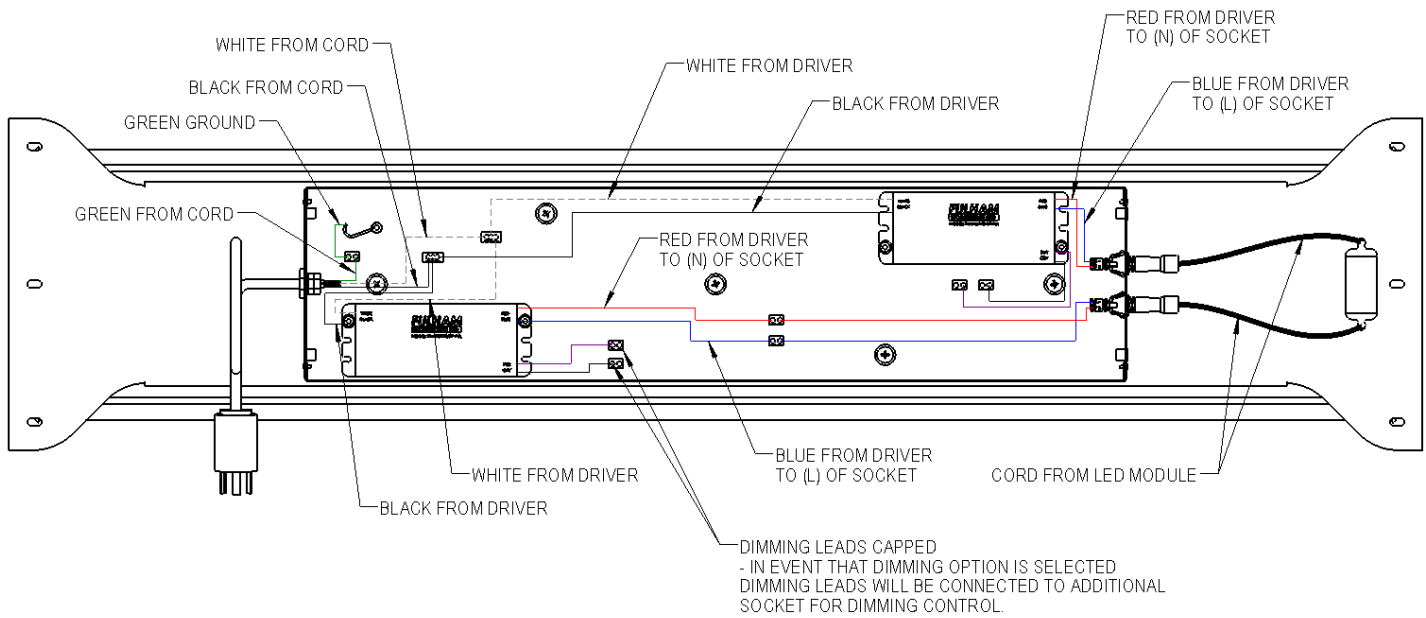
TROUBLESHOOTING

- all troubleshooting tips assume fixture had been working correctly after it was installed and something has gone wrong

1. Single light bar is not working - Driver issue
2. One light bar appears partially illuminated or more dim when compared to the other light bars - Board issue
3. Sections or strings of LEDs are not functioning - Board issue
4. To replace driver: Disconnect supply circuit. Remove qty 4 fasteners from ends of driver housing cover and remove cover. Follow the wires to determine which driver is faulty. Using your finger hold the head of the bolt on the bottom of the frame of the fixture and a 11/32" nut driver or socket remove the two #8 nuts holding the driver in place.
5. To replace board: Identify and make a note of which LED board is defective. Remove light bar with defective board from fixture (step 3). Once light bar is out of the fixture remove the end cap on the side of the light bar that has the defective board, slide out lens. Remove wire cover and disconnect the wires. Remove all the screws securing the board in place, remove board and set aside. Place new board into light bar and secure with screws. Connect wires to board - **make sure wires go through wire cover**. Secure wire cover to extrusion. Replace lens and end cap, make sure no wires are pinched. Reinstall light bar on fixture.

WIRING SCHEMATIC - INSIDE:

****Note - Basic Schematic: dimming connection, surge protection device and EM option not shown here.****



NOTE: DIMMING CORD NOT SHOWN

